

限位夾系列

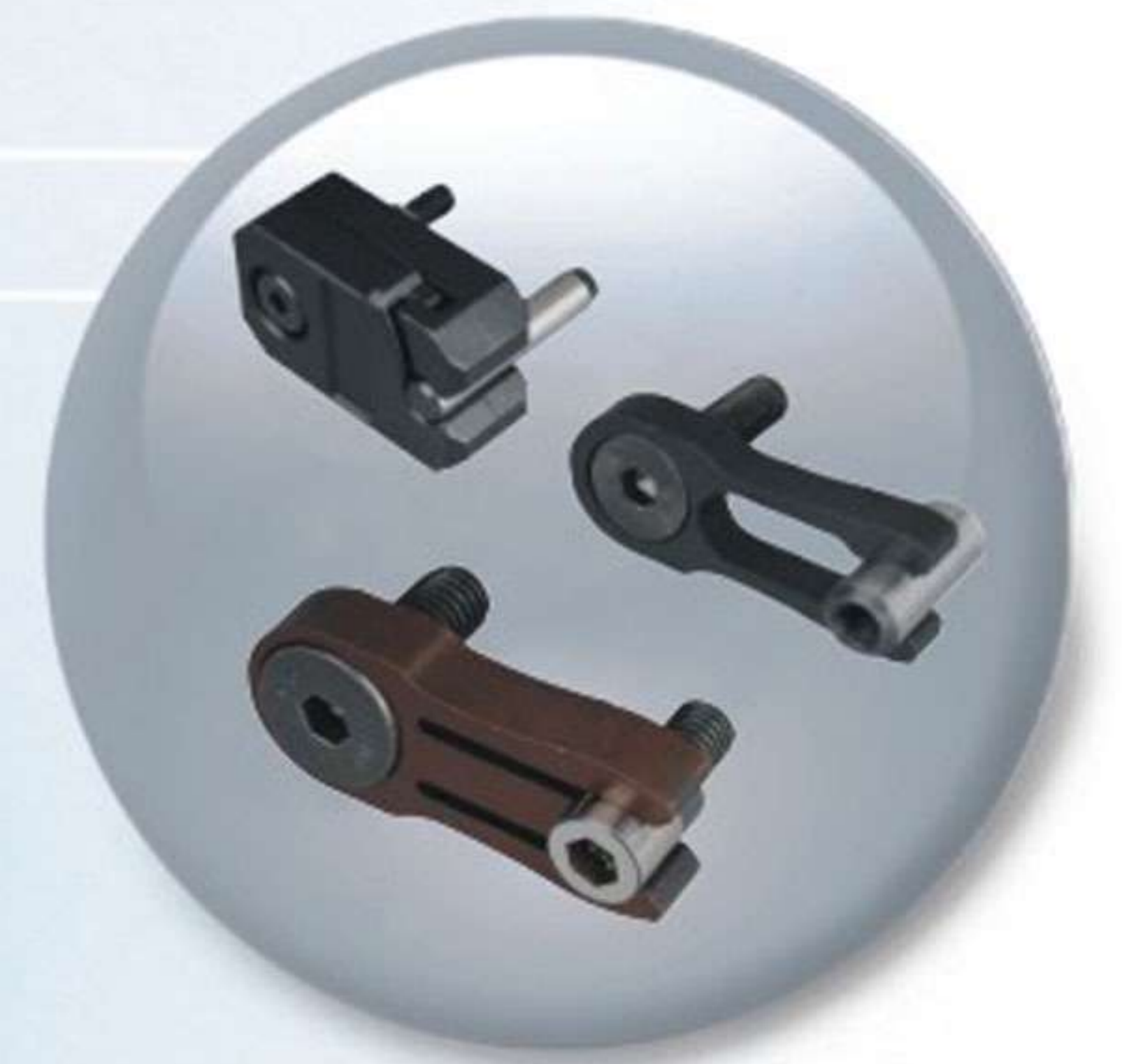
Slide Retainer Series



定位珠、定位柱
Ball Plungers



限位夾
Slide Retainer



限位夾
Slide Retainer



限位夾
Slide Retainer



樹脂開閉器
Parting Locks



鎖模扣
Latch Lock



開閉器
Slide Lock



頂出器、開閉器
Plate Accelerator/
Parting Lock





TBSR C24
導位固定塊組件
LOCATING BLOCK SETS
M 材質 YK30
H 硬度 HRC56°~60°



PSR D04
限位夾(英制)
SLIDE RETAINER(INCH)
M 材質 H-13steel
H 硬度 HRC48°~52°



MRT D12
限位夾
SLIDE RETAINER
M 材質 合金鋼8620steel
H 硬度 HRC58°~62°



GS C25
自潤滑式活型芯組件 (整體型)
OIL-FREE SLIDE UNITS FOR
LOOSE CORE (Integral Type)



PSR D05
限位夾(歐洲)
SLIDE RETAINER
M 材質 H-13steel
H 硬度 HRC48°~52°



RC D13
限位夾
SLIDE RETAINER
M 材質 1.8159
H 硬度 HRC45°±3°



GAS (調整型) C26
自潤滑式活型芯組件 (調整型)
OIL-FREE SLIDE UNITS FOR
LOOSE CORE (Adjust Type)



SLK D06
限位夾
SLIDE RETAINER
M 材質 SKH51
H 硬度 HRC58°



RCM D14
限位夾
SLIDE RETAINER
M 材質 1.8159
H 硬度 HRC45°±3°



GASN (固定型) C27
斜楔用無給油滑塊組件
OIL-FREE SLIDE UNITS FOR
LOOSE CORE (Fixed Type)



SLK8A D07
限位夾(歐洲)
SLIDE RETAINER
M 材質 SKH51
H 硬度 HRC58°



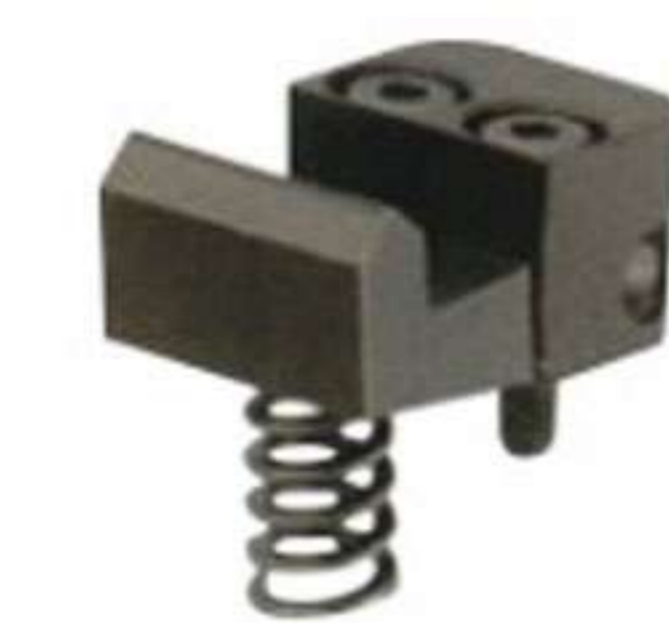
RRM D15
限位夾
SLIDE RETAINER
M 材質 1.8159
H 硬度 HRC45°±3°



GBP D01
定位珠 (定位螺絲)
BALL PLUNGERS
M 材質 SCM21
鋼珠 SUJ2
M 彈簧材質 SWP



SLLK D08
限位夾
SLIDE RETAINER
M 材質 SKH51
H 硬度 HRC58°



Z5135 D16
限位夾
SLIDE RETAINER
M 材質 1.2163
H 硬度 HRC58°±2°



Z372 D02
定位柱
BALL PLUNGER
M 材質 1.0718



Z5129/30 D09
限位夾
SLIDE RETAINER



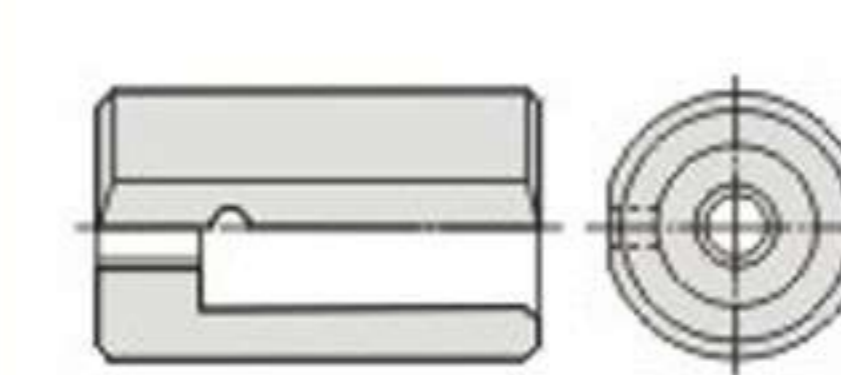
Z189 D16
限位夾
SLIDE RETAINER
M 材質 1.7131
H 硬度 HRC58°±2°



Z374 D02
定位珠
BALL PLUNGER



Z5133/35 D09
限位夾
SLIDE RETAINER



POBS D17
樹脂開閉器襯套
PARTING LOCKS BUSHINGS
M 材質 S45C



Z36 D03
定位柱
BALL PLUNGER
M 材質 1.0718



Z5140 D10
限位夾
SLIDE RETAINER
M 材質 1.2343
H 硬度 HRC54°±2°



GPLA D18
樹脂開閉器
PARTING LOCKS
M 材質 ①SCM435
②樹脂



Z361 D03
定位柱
BALL PLUNGER
M 材質 1.4305



PSM D11
限位夾
SLIDE RETAINER
M 材質 合金鋼8620steel
H 硬度 HRC58°~62°



GRL D19
鎖模扣
LATCH LOCK
S 表面處理 黃色烤漆
M 材質 S50C

Z73 D19
鎖模扣
LATCH LOCK

RT D26
強制回位
EARLY EJECTOR RETURN

GMP E04
抽牙沖頭GMP型
BURRING PUNCH-GMP TYPE
M 材質 SKD11
H 硬度 HRC60°~62°

MPLK D20
卡輪式鎖模扣
LATCH LOCK
M 材質 SK3(套)+S50C(座)

SPL D27
開閉器(日式)
PARTING LOCK SETS PL TYPE

GSA系列 E05
異型沖頭
VARIABLE PUNCH FORMING
① M 材質 SKD11
H 硬度 HRC60°~62°
② M 材質 SKH51
H 硬度 HRC62°~64°

GSLA D21
開閉器半圓型
SLIDE LOCKS
M 材質 白鐵SUS404
H 硬度 HRC50°~52°

SPLSW D29
開閉器(日式)
PARTING LOCK SETS PL TYPE

GDAD、GDAH E06
母模襯套GDAD(H)
PUNCH GUIDE BUSH-GDAD(H) TYPE
① M 材質 SKD11
H 硬度 HRC60°~62°
② M 材質 SKH51
H 硬度 HRC62°~64°

GSL D21
開閉器SL型
SLIDE LOCKS
M 材質 SCM21
H 硬度 HRC55°~60°

SPL D30
開閉器(日式)
PARTING LOCK SETS PL TYPE

GDBD、GDBH E06
母模襯套GDAD(H), GDBD(H)型
PUNCH GUIDE BUSH-GDBD(H) TYPE
① M 材質 SKD11
H 硬度 HRC60°~62°
② M 材質 SKH51
H 硬度 HRC62°~64°

GSLBS/L D22
開閉器B型
SLIDE LOCK B TYPE
M 材質 SK-2
H 硬度 HRC58°~60°

GBPD、GBPH E01
標準沖頭GBPD/GBPH型
STANDARD PUNCH-GBPD/
GBPH TYPE
① M 材質 SKD11
H 硬度 HRC60°~62°
② M 材質 SKH51
H 硬度 HRC62°~64°

GAH E07
帶錐度凹模-帶肩型
ANGULAR BUTTON-HEAD TYPE
M 材質 SKD11
H 硬度 HRC60°~62°

GSLES/L D22
開閉器E型
SLIDE LOCK E TYPE
M 材質 SK-2
H 硬度 HRC58°~60°

GAPD、GAPH E02
標準沖頭GAPD/GAPH型
STANDARD PUNCH-GAPD/
GAPH TYPE
① M 材質 SKD11
H 硬度 HRC60°~62°
② M 材質 SKH51
H 硬度 HRC62°~64°

GAS E08
帶錐度凹模-無肩型
ANGULAR BUTTON
M 材質 SKD11
H 硬度 HRC60°~62°

GBLS D23
開閉器GBLS型(扣模器)
SLIDE LOCK (GBLS TYPE)
M 材質 SCM21

GBPPD E03
導引沖頭GBPPD型
PILOT PUNCH-GBPPD TYPE
M 材質 SKD11
H 硬度 HRC60°~62°

GJPD、GJPH E09
標準子母沖頭GJPD/GJPH型
EJECTOR PUNCH-GJPD, GJPH TYPE
① M 材質 SKD11
H 硬度 HRC60°~62°
② M 材質 SKH51
H 硬度 HRC62°~64°

GBL D24
強力型自動鎖模器
BEST LOCK 600
M 材質 SCM21

GAPPD E03
導引沖頭GAPPD型
PILOT PUNCH-GAPPD TYPE
M 材質 SKD11
H 硬度 HRC60°~62°

GFD、GFA E10
DIN9861 D型標準沖頭
DIN9861 STANDARD PUNCH D-TYPE
① M 材質 SKD11
H 硬度 HRC60°~62°
② M 材質 SKH51
H 硬度 HRC62°~64°
Head: HRC45°~55°

EP D25
二次頂出器
PLATE ACCELERATOR

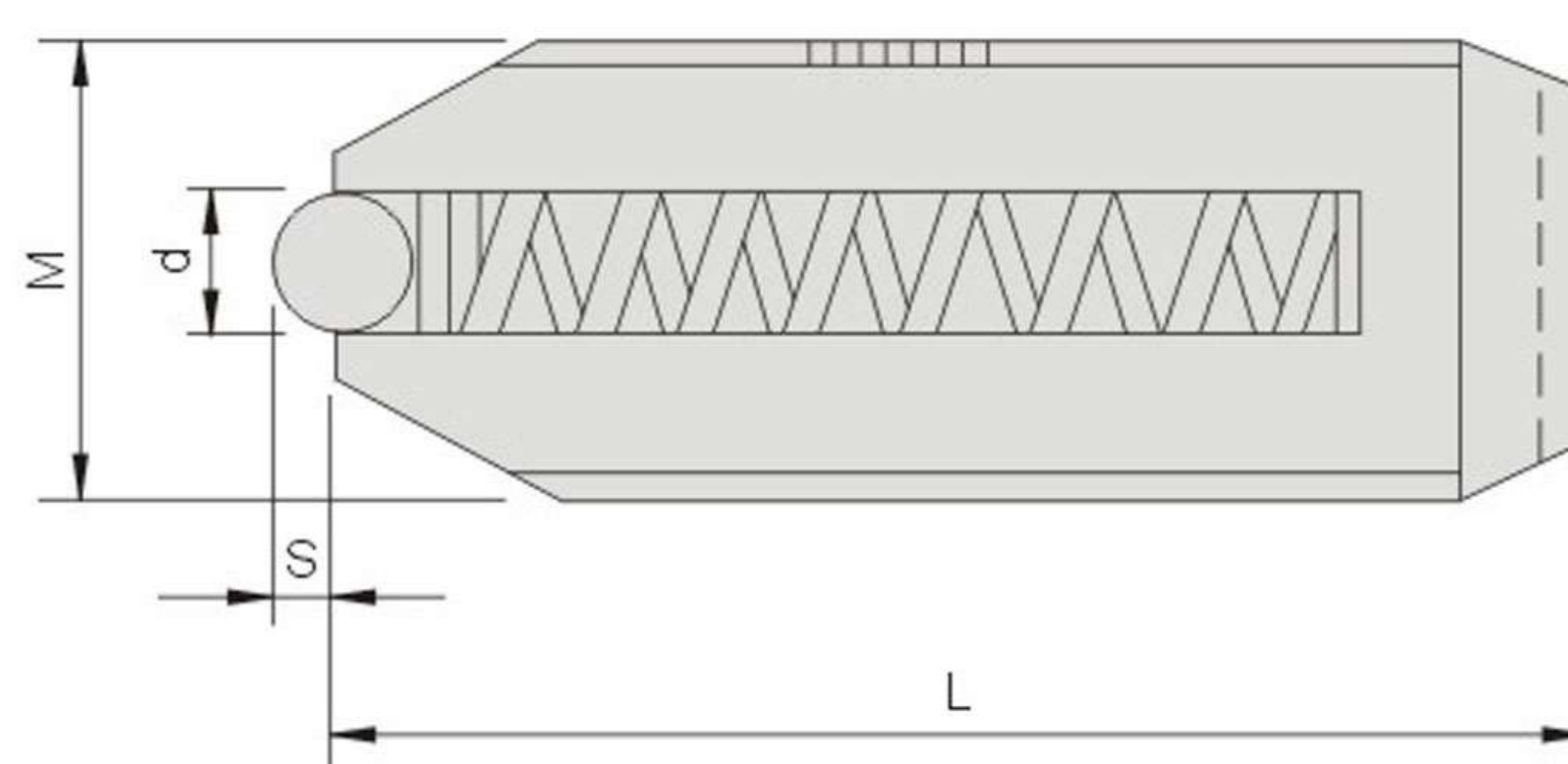
GNPD E03
抽牙沖頭GNPD型
BURRING PUNCH-GNPD TYPE
M 材質 SKD11
H 硬度 HRC60°~62°

GLA E11
浮昇銷GLA型
GUIDE LIFTER PUNCH-GLA TYPE
M 材質 SK2
H 硬度 HRC53°~58°

限位夾系列 Slide Retainer Series

GBP

定位珠 (定位螺絲) Ball Plungers



- ☑ 材質 SCM21
- 鋼珠 SUJ2
- ☑ 彈簧材質 SWP

公制: mm

Type No.	M X Pitch	d	S	L	荷重 min max load		單價 U'price
GBP-4 (一字)	4 X 0.7	2.5	1.0	9	0.3	1.0	○
GBP-5 (一字)	5 X 0.8	3.0	1.0	12	0.5	1.5	○
GBP-6 (內六角)	6 X 1.0	3.5	1.2	14	0.7	2.0	○
GBP-8 (內六角)	8 X 1.25	5.0	1.8	16	0.9	2.5	○
GBP-10 (內六角)	10 X 1.5	6.0	2	19	1.0	3.0	○
GBP-12 (內六角)	12 X 1.75	8.0	3	22	1.6	5.0	○
GBP-16 (內六角)	16 X 2.0	10.0	4	25	2.5	8.0	○

※ GBP-4、5 為一字型，GBP-6、8、10、12、16 為內六角型

英制: inch

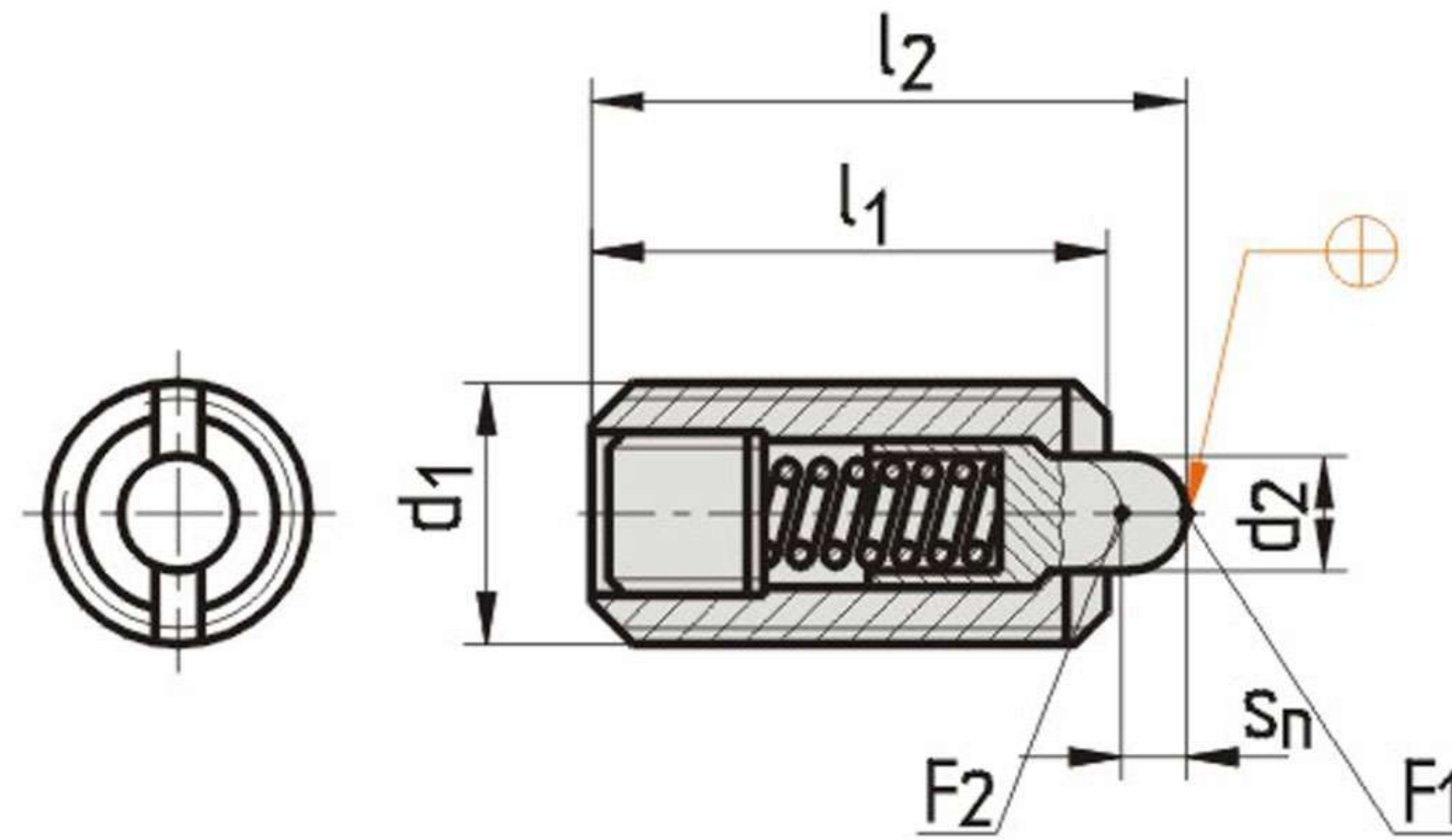
Type No.	英吋牙 (inch)	d	S	L	荷重 min max load		單價 U'price
GBPJ-2 1/2 (內六角/一字)	5/16"	5	2	17	1.3	2.6	○
GBPJ-3 (內六角/一字)	3/8"	6	2	17	1.0	3.0	○
GBPJ-4 (內六角/一字)	1/2"	8	3	17	1.6	5.0	○

※ 英制定位珠有一字型及內六角型提供。

 Order: -

Z372

定位柱 Ball Plunger



材質 1.0718

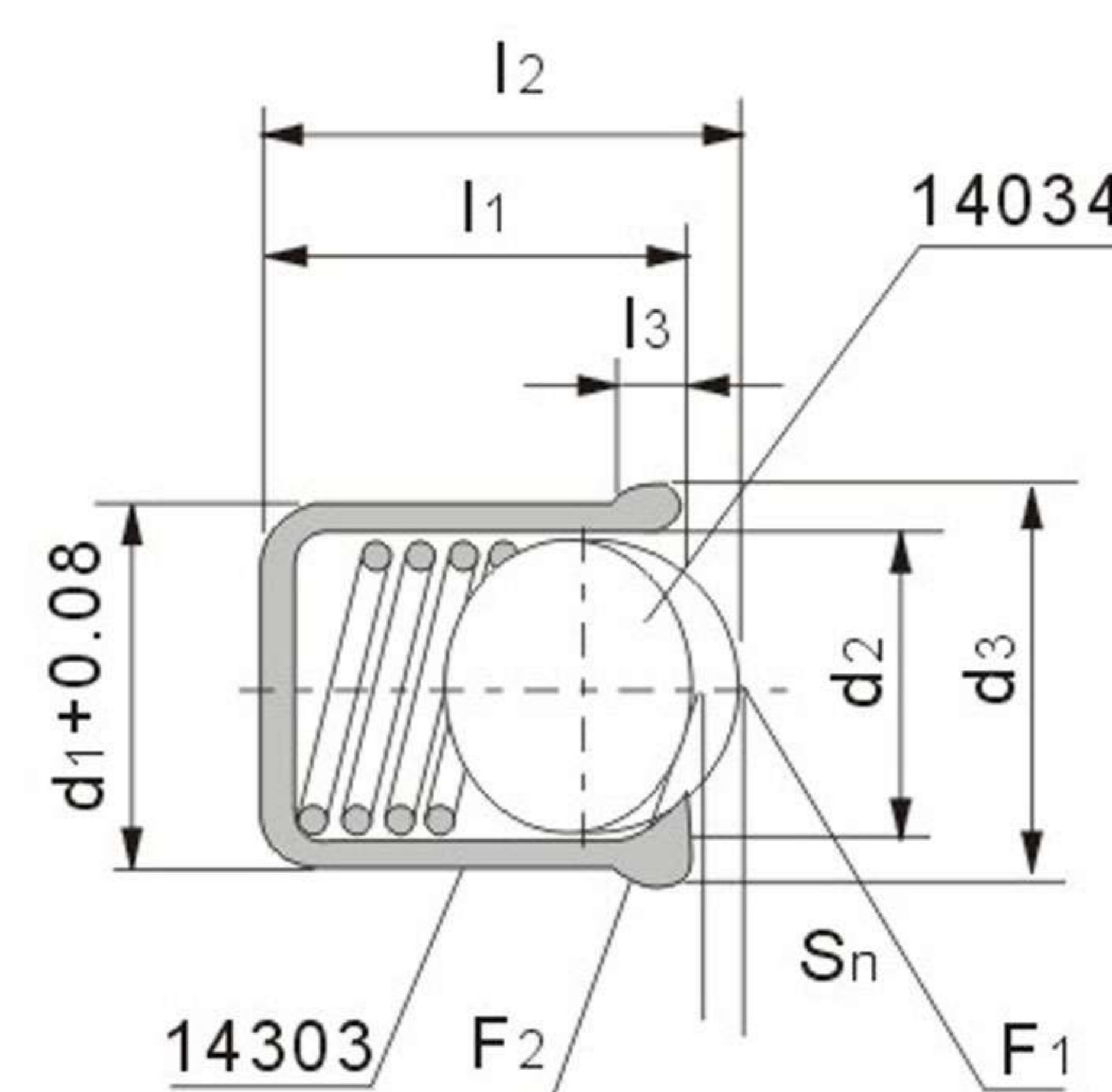
Type	max. °C	d2	Sn	F1 [N]	F2 [N]	l2	d1	l1	单价 ¥ Unit price
Z372/3 x 12	250	1.0	0.8	1.7	2.8	13.0	M3	12	○
4 x 15		1.5	1.2	5.0	12.0	16.5	M4	15	○
5 x 18		2.4	1.8	7.0	16.0	20.3	M5	18	○
6 x 20		2.7	2.0						
8 x 22		3.5	2.1	9.0	28.0	25.0	M8	22	○
10 x 22		4.0							
12 x 28		6.0	3.2	15.0	44.0	32.0	M12	28	○
16 x 32		7.5	4.0	45.0	80.0	37.0	M16	32	○
20 x 40		10.0	5.6	70.0	112.0	47.0	M20	40	○
24 x 52		12.0	8.0	80.0	144.0	62.0	M24	52	○

Order: Z372 - Q'TY

Z374

定位珠 Ball Plunger

- 不锈钢轻载用
- 适用温度: -30°C ~ 250°C
- 特点: 无需螺丝孔加工, 可减少加工工时。
- It is used for light load of stainless steel.
- Applicable temperature: -30°C ~ 250°C
- Characteristics: It does not need threaded hole processing which reduces processing time.



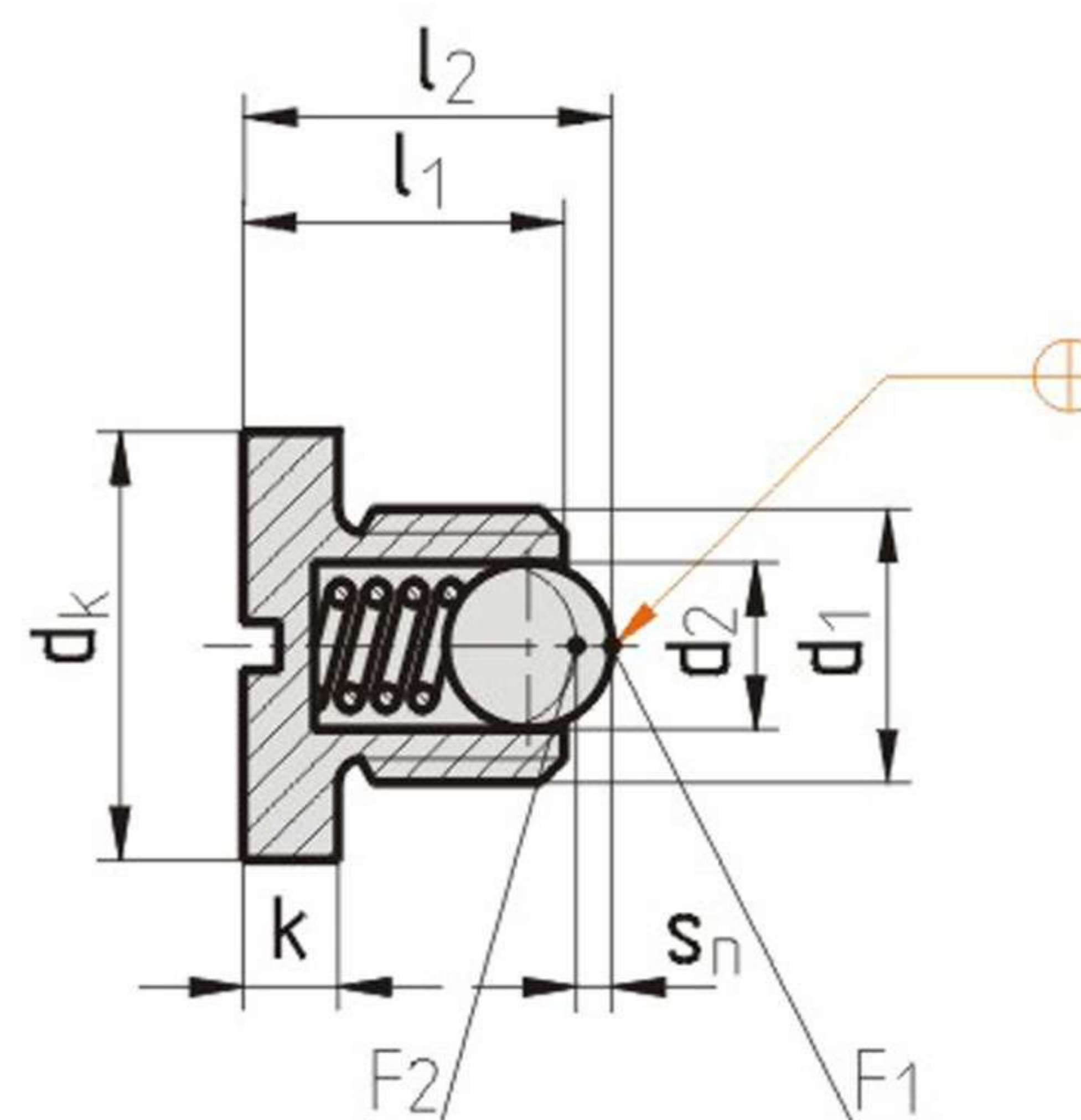
Type	max. °C	d3	l3	d2	Sn	F1 [N]	F2 [N]	l2	d1	l1	单价 ¥ Unit price
Z 374/ 4x5	250	4.6	1	3	0.7	2	4	5.9	4	5	○
5x6		5.6		4	0.8	4	5.6	7	5	6	○
6x7		6.5		5	1.2	6	9.6	8.5	6	7	○
8x9		8.5		6.5	1.4						

Order: Z374 - Q'TY

限位夾系列 Slide Retainer Series

Z36

定位柱 Ball Plunger



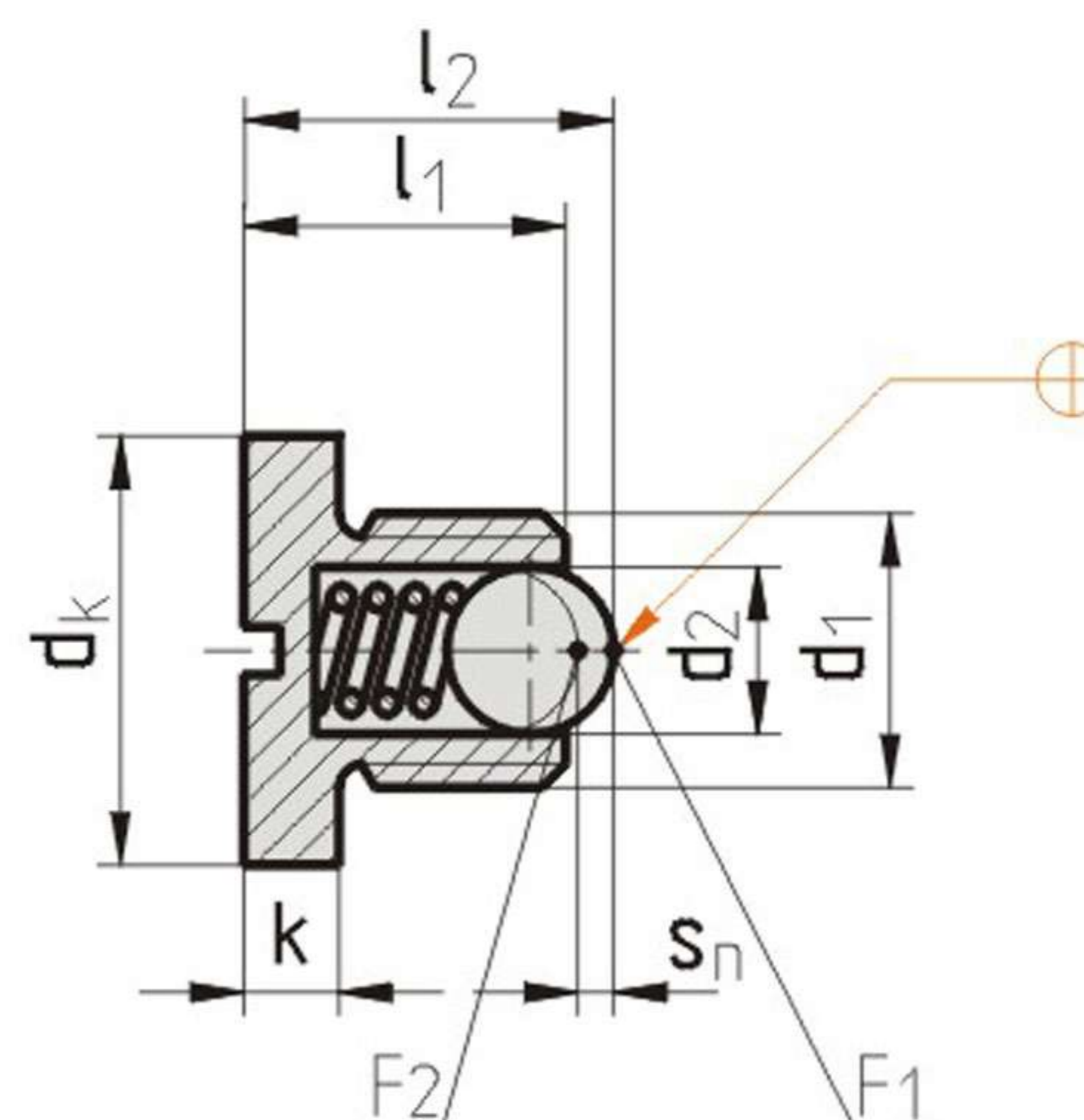
材質 1.0718

Type	max. °C	d2	dk	K	Sn	F1 [N]	F2 [N]	l2	d1	l1	单价 ¥ Unit price
Z36/4 x 9	250	2.5	6	2.5	0.64	6	11.6	9.8	M4	9	○
5 x 12		3	8	3.5	0.72	8.8	13.3	12.9	M5	12	○
6 x 14		3.5	10	5	0.8	11.2	15.1	15	M6	14	○
8 x 16		5	13	5	1.2	18.5	29.5	17.5	M8	16	○
10 x 20		6	16	6	1.6	23.9	43	22	M10	20	○
12 x 22		8	18	7	2	35.9	59.8	24.5	M12	22	○

Order: Z36 - Q'TY

Z361

定位柱 Ball Plunger



材質 1.4305

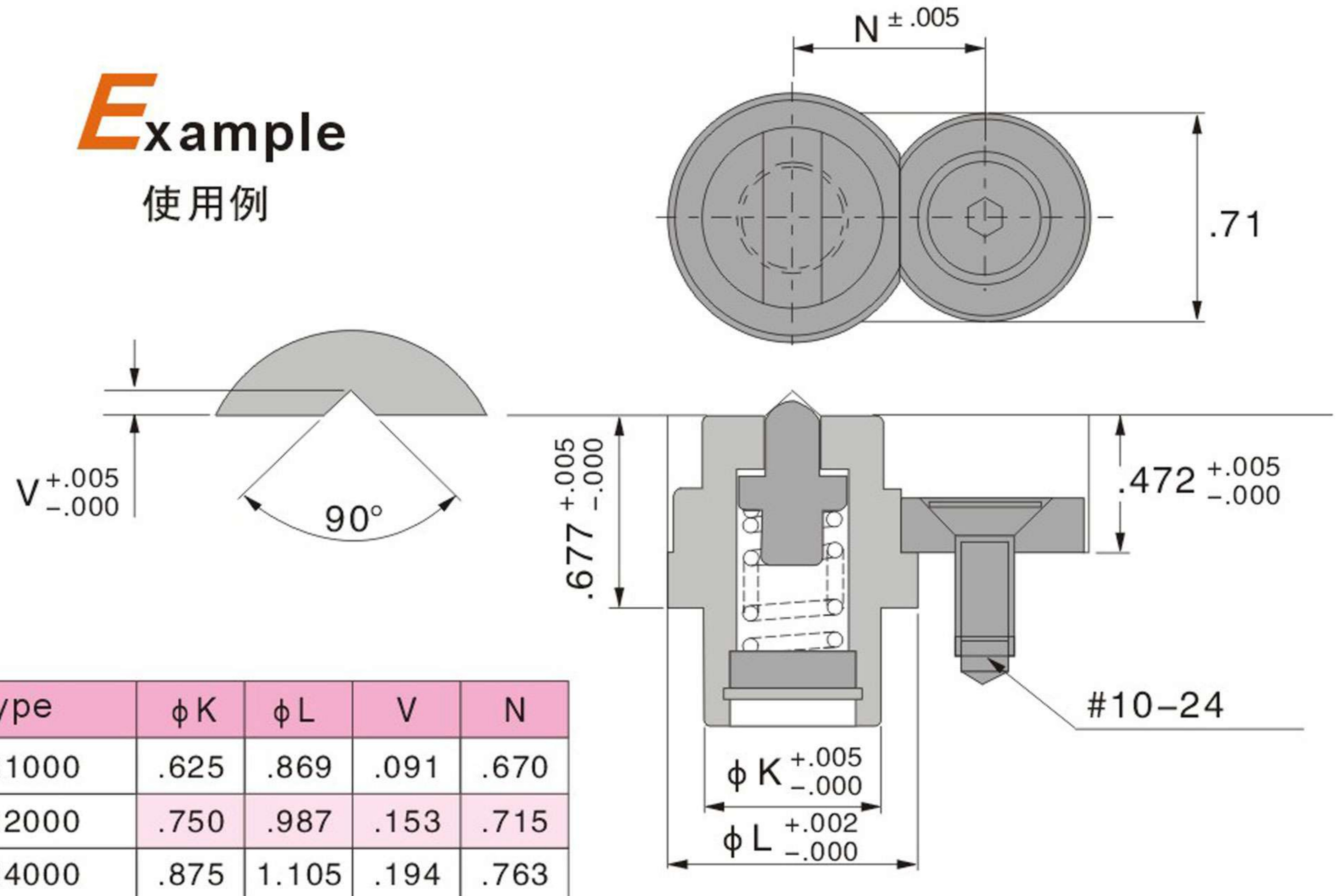
Type	max. °C	d2	dk	K	Sn	F1 [N]	F2 [N]	l2	d1	l1	单价 ¥ Unit price
Z361/8 x 16	250	5	13	5	1.2	18.5	29.5	17.5	M8	16	○
12 x 22		8	18	7	2	35.9	59.8	24.5	M12	22	○

Order: Z361 - Q'TY

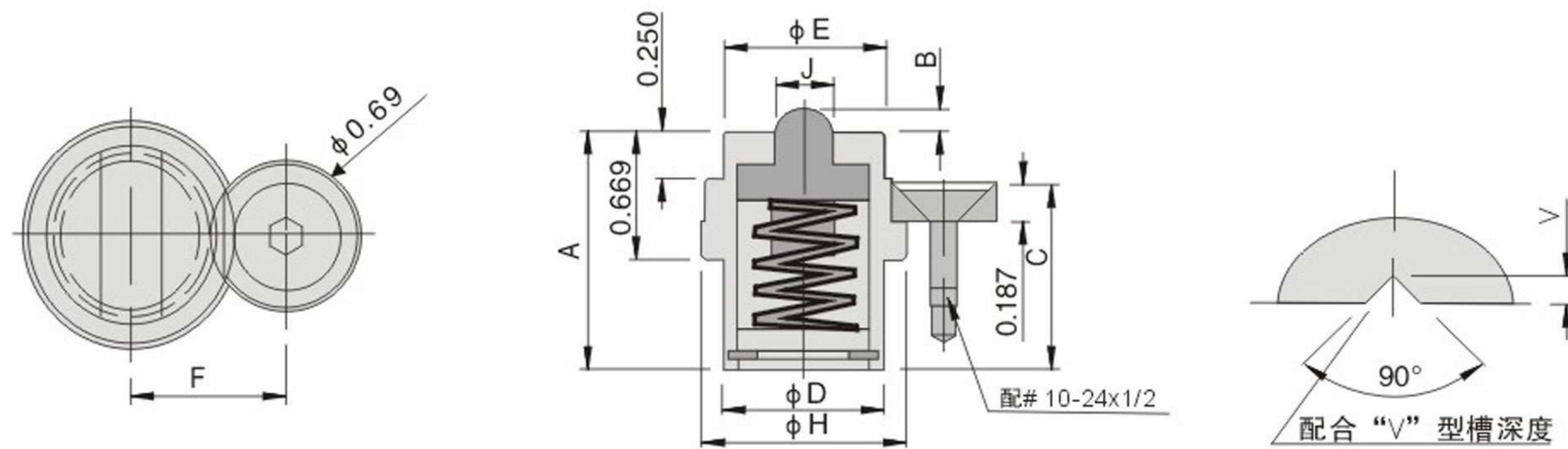


Example

使用例



M 材質 H-13steel
H 硬度 HRC48°~52°



独立的设计、一体化的装置、安装简单。外形虽小，但是具有一定的荷重。
 It has independent design and integrated device. Installation is simple. Although appearance is small, it has certain load.

Type	尺寸 Size									荷重 Loading Weight Kgf	单价 ¥ Unit price
	A	B	C	φD	φE	F	φH	J	V		
PSR 1000	1.08	.072	.795	.620	.630	.375	.866	.188	.091	4.5	○
PSR 2000	1.32	.121	1.035	.740	.748	.420	.984	.250	.153	9	○
PSR 4000	1.26	.149	.975	.870	.866	.466	1.102	.312	.194	18	○

📞 Order: PSR 1000 - Q'TY

限位夾系列 Slide Retainer Series

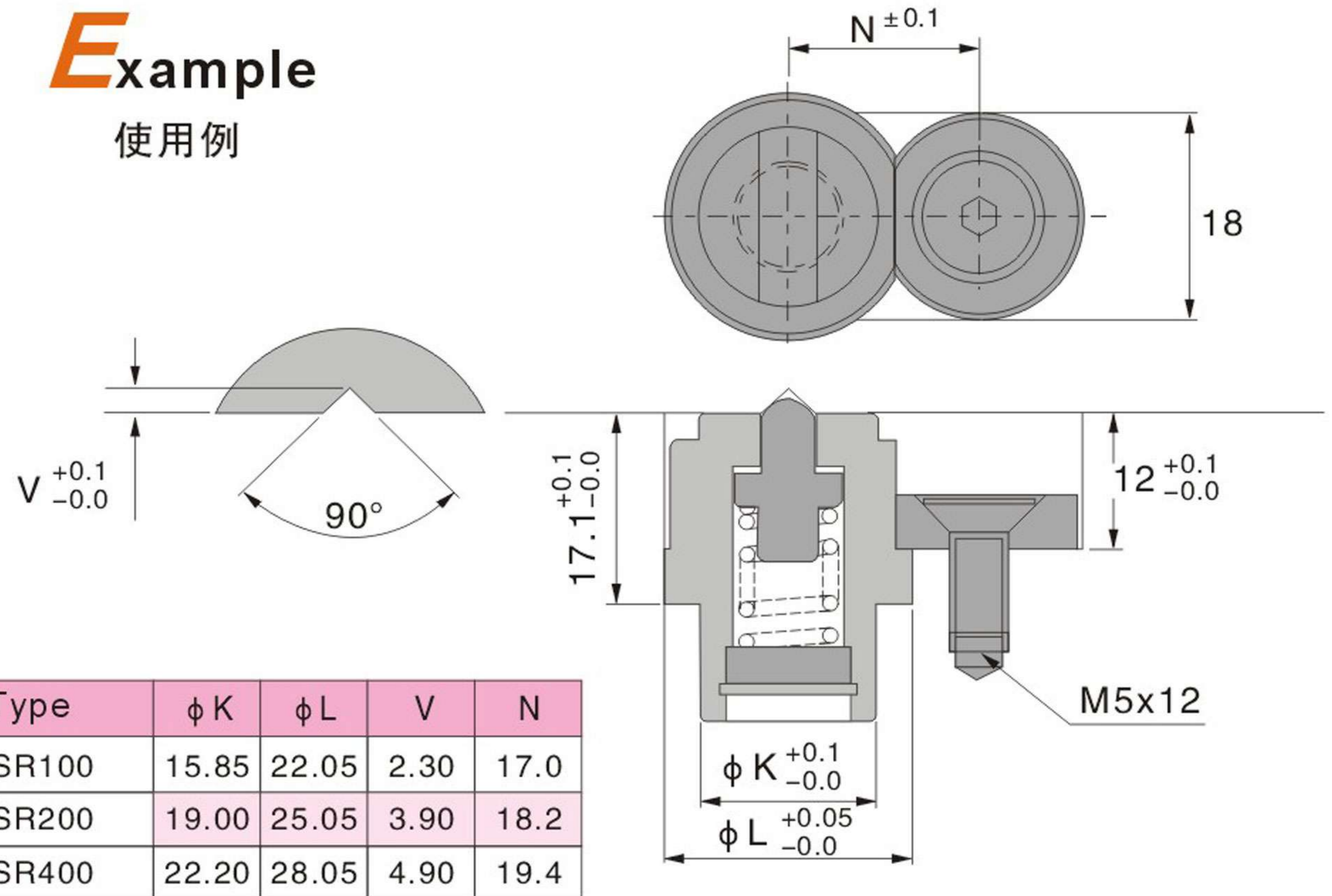
PSR

限位夾(歐洲) Slide Retainer



Example

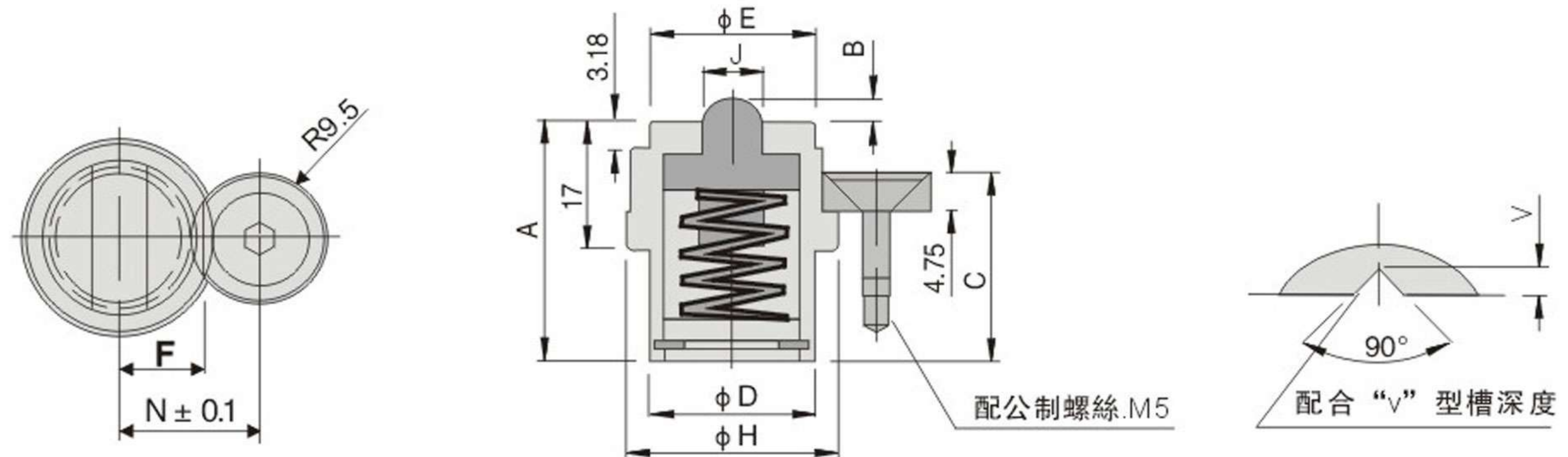
使用例



材質 H-13steel
 硬度 HRC48°~52°

Type	ϕK	ϕL	V	N
PSR100	15.85	22.05	2.30	17.0
PSR200	19.00	25.05	3.90	18.2
PSR400	22.20	28.05	4.90	19.4

限位夾系列



简单经济、坚固耐用。能使用单个或多个限位夹，以达到更大的荷重。

It is simple and economic, sturdy and durable. Single or multiple position limiting clips can be used so as to reach greater load.

Type	尺寸 Size										荷重 Loading Weight Kgf	单价 ¥ Unit price
	A	B	C	ϕD	ϕE	F	ϕH	J	N	V		
PSR 100	27.43	1.83	20.2	15.75	16	9.52	22	4.78	17.0	2.30	4.5	○
PSR 200	33.53	3.07	26.3	18.80	19	10.67	25	6.35	18.2	3.90	9	○
PSR 400	32.00	3.78	24.76	22.10	22	11.89	28	7.92	19.4	4.90	18	○



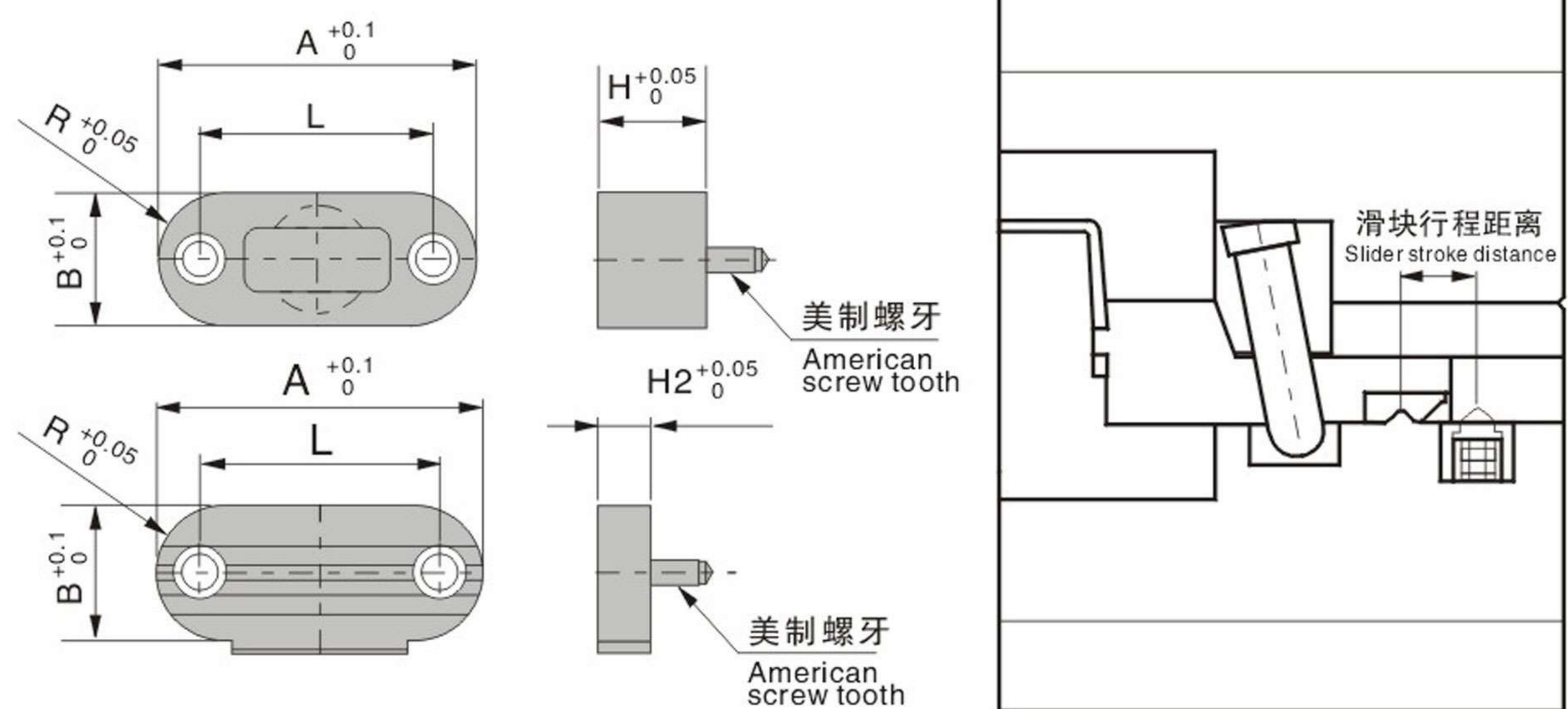
Order: PSR 100 - Q'TY



Example

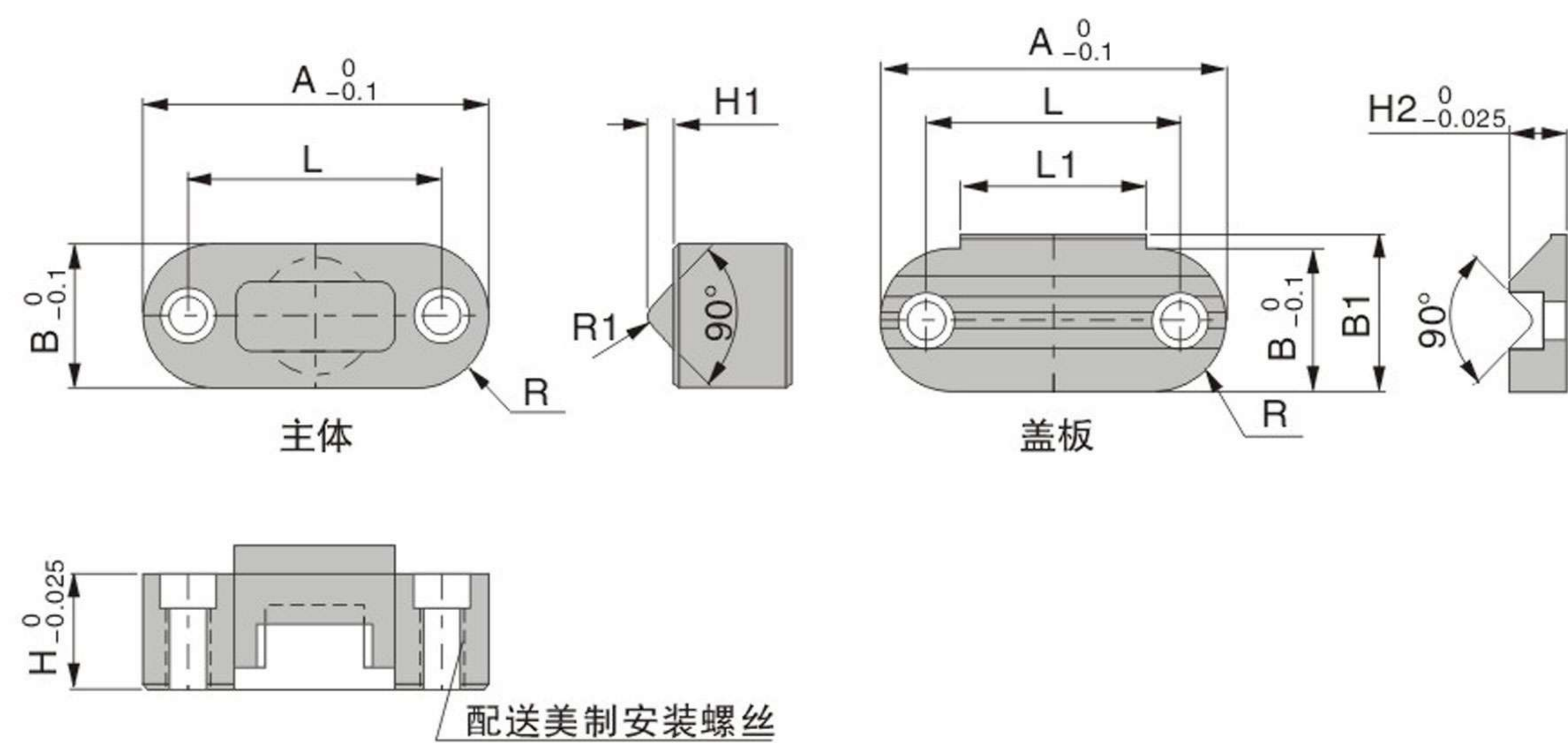
使用例

M 材質 SKH51
H 硬度 HRC58°



容易安装进入模座滑块中，巧妙的隐藏在限位装置中。

It is easy to install it into slider of mold base, cleverly hidden in the caging device.



Type	A	B	H	H1	H2	L	L1	R	R1	B1	安装螺丝 Mounting screws	荷重 (kgf) Max. holding weight	单价 ¥ Unit price
SLK 25A	1.494	620	.499	.117	.249	1.1	.80	.312	.062	.68	#6-32x1/2	11.25	○
	37.95	15.75	12.67	2.97	6.32	27.94	20.32	7.92	1.57	17.27	#6-32x1/4		○
SLK 50A	2.292	.996	.86	.171	.385	1.65	1.10	.498	.098	1.058	1/4-20x1"	22.5	○
	58.22	25.30	21.84	4.34	9.78	41.91	20.32	12.65	2.49	26.87	1/4-20x3/8		○

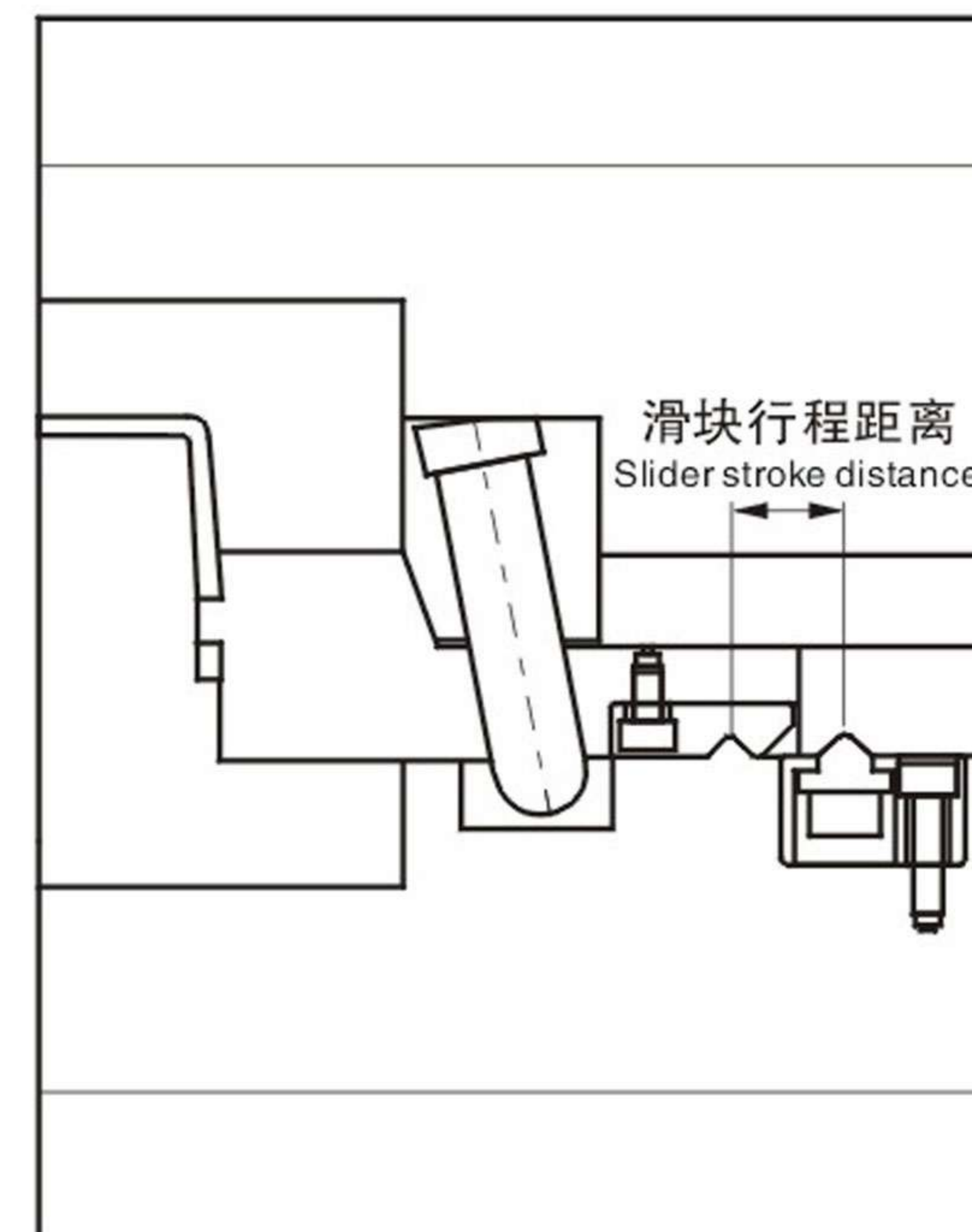
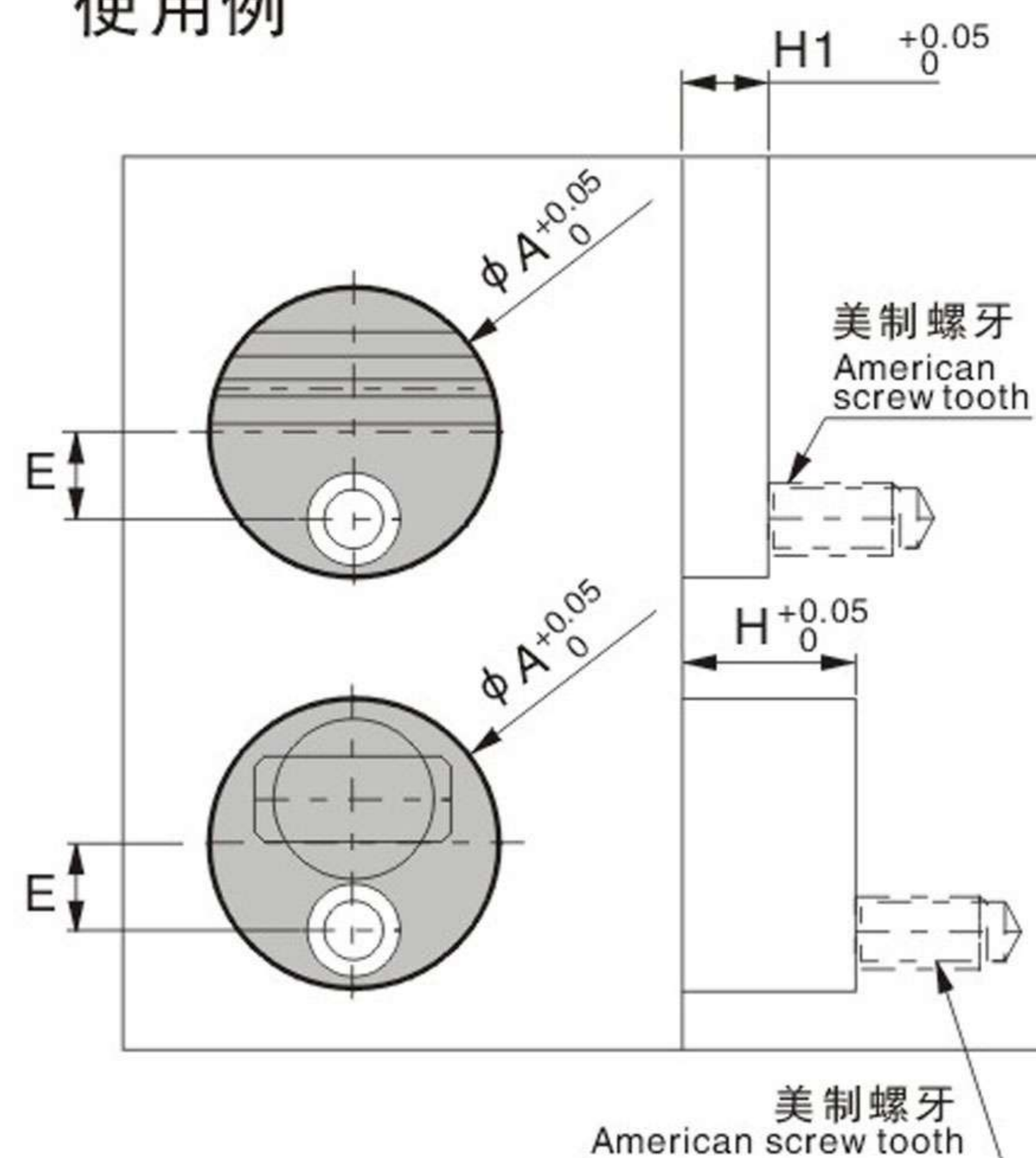
Order: **SLK25A** - Q'TY

限位夾系列 Slide Retainer Series

SLK8A 限位夾 Slide Retainer

Example

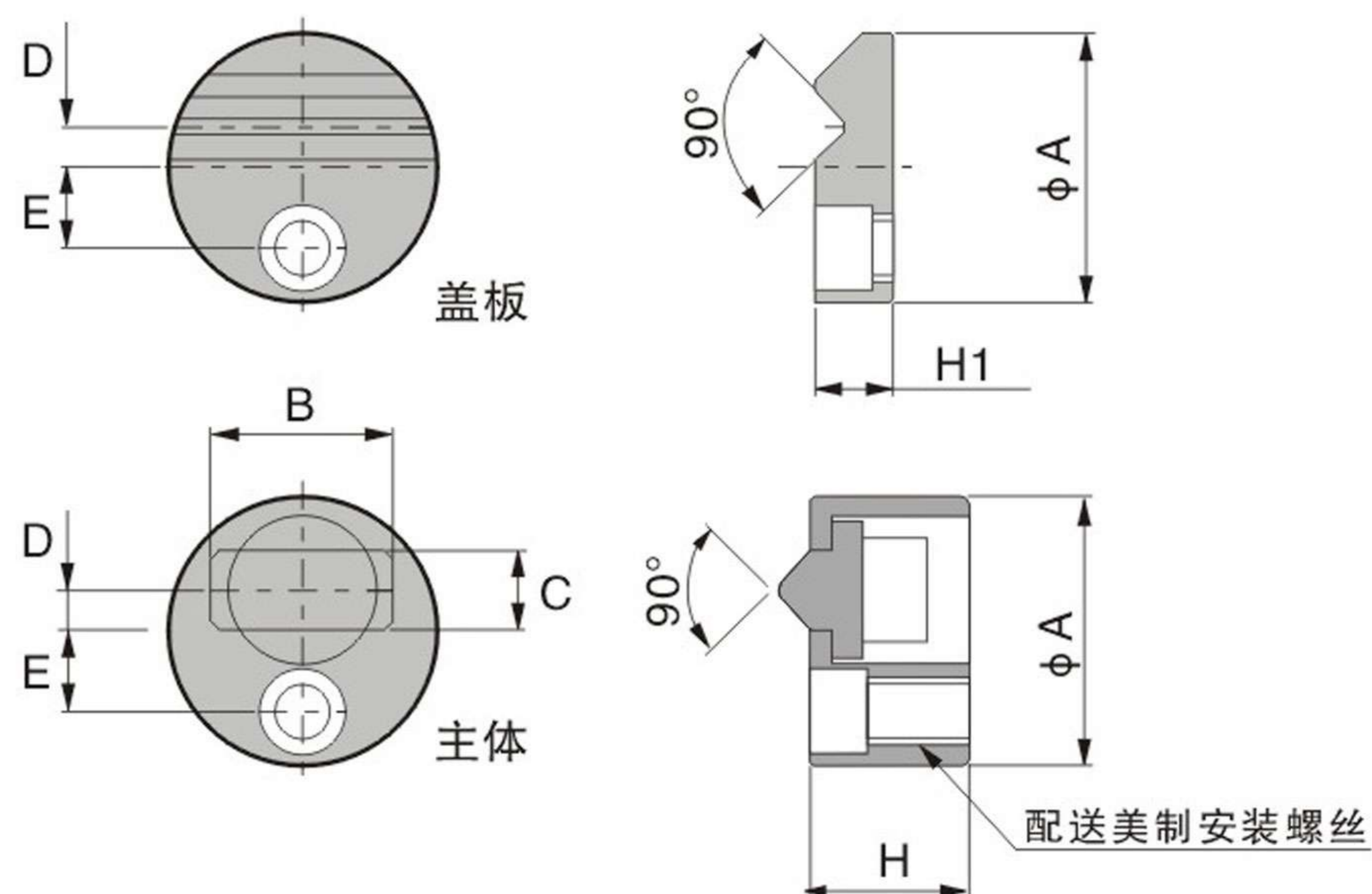
使用例



M 材質 SKH51
H 硬度 HRC58°

限位夾的设计，能有效的预防模座滑块逐渐松动的问题，此款限位夹外形小巧，合理的利用了有限的空间。

Design of position limiting clip can effectively prevent slider die holder from gradually loosening. Appearance of this type of position limiting clip is small and exquisite and it applies limited space reasonably.

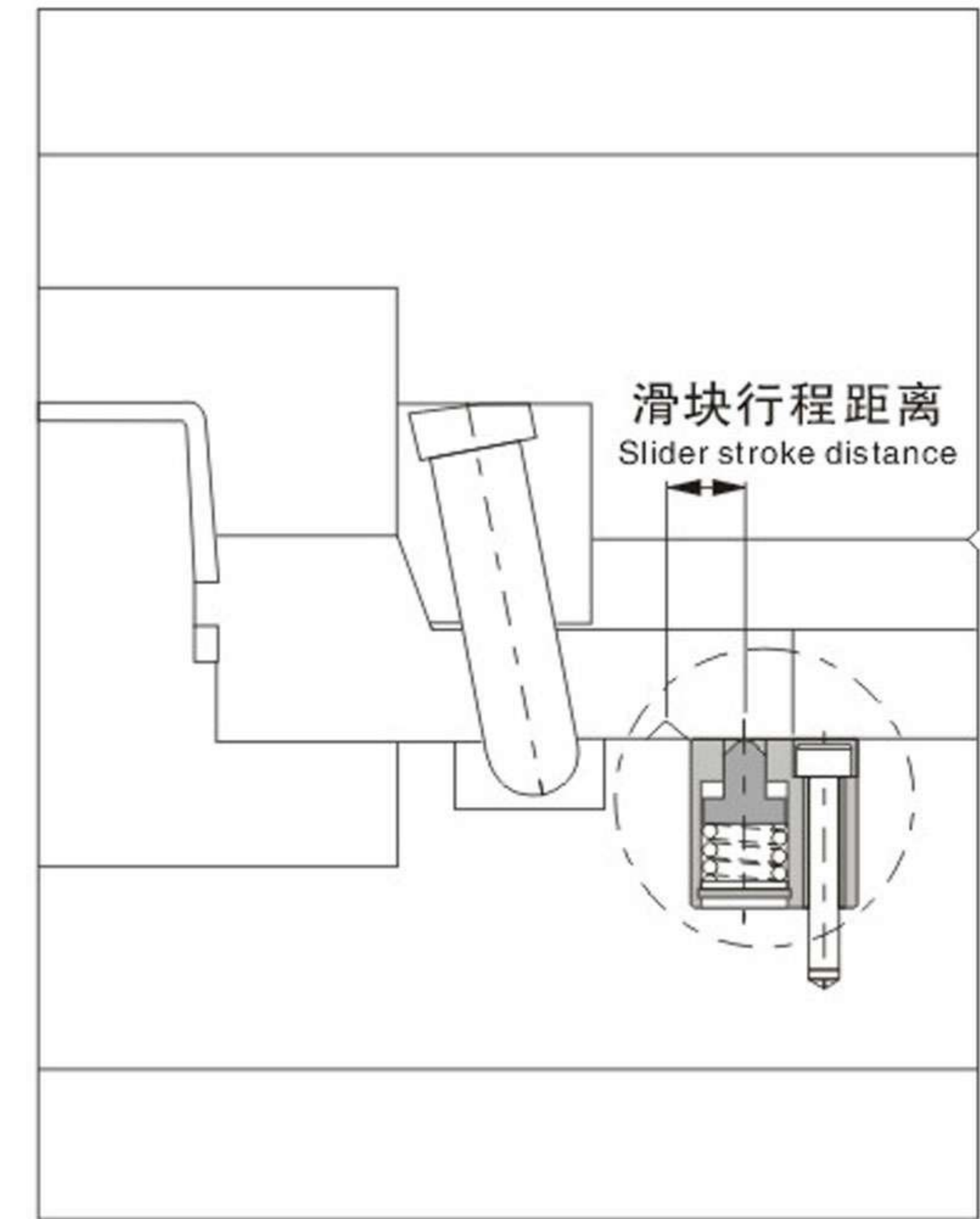
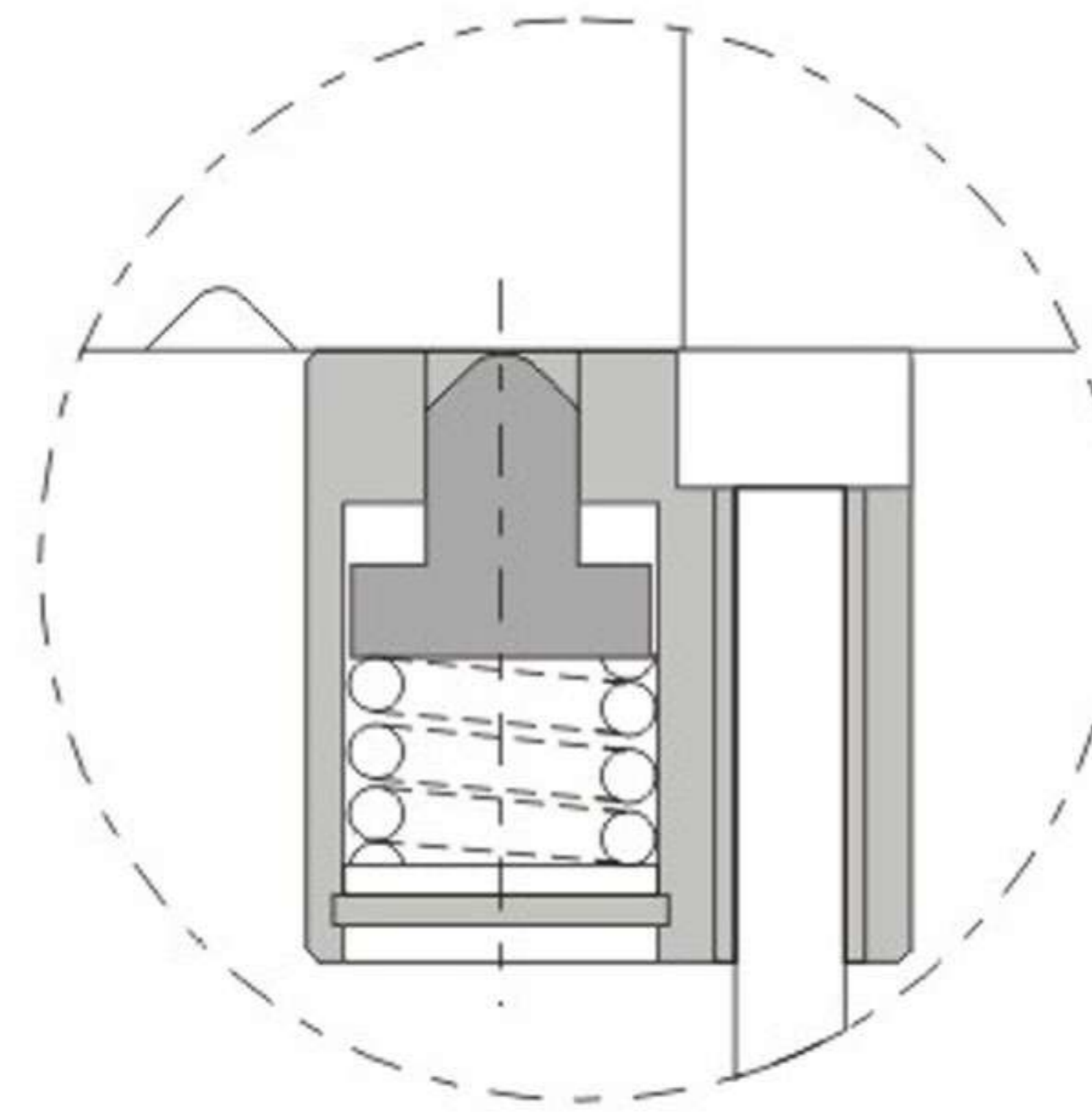


Type	A	B	C	D	E	H	H1	安装螺丝 Mounting screws	荷重 (kgf) Max. holding weight	单价 ¥ Unit price
SLK 8A	± 0.001 .498	.34	.15	.075	.15	± 0.002 .295	± 0.002 .145	#2-56x3/8(主体) #2-56x1/4(盖板)	3.6	
	12.65	8.61	3.81	1.91	3.81	7.49	3.68			

Order: **SLK 8A** - Q'TY

Example

使用例



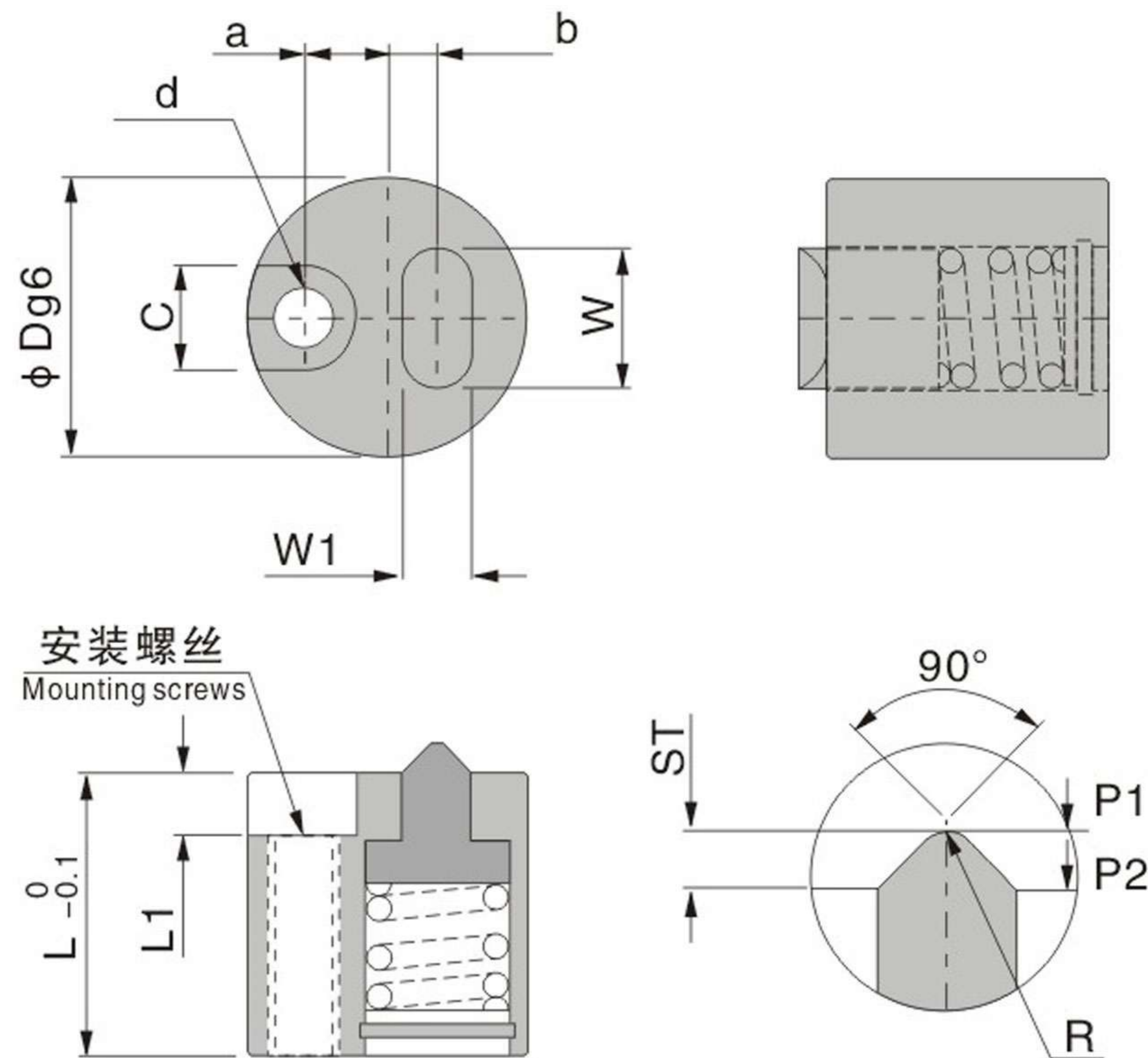
M 材質 SKH51
H 硬度 HRC58°

注意事项：锁紧负载过大，可能会使斜导柱和束块承受过多负载，导致烧结现象，建议减少滑动阻力、润滑、加强钢性。

Precautions: Locking load is too big, so it may make slanted guide pillar and bundle block bear too much load leading to sintering phenomenon. It is advised to reduce sliding resistance, implement lubrication and strengthen rigidity.

特点：采用面接触，降低了接触面的单位压强，可有效防止侧抽芯滑块损伤，可适用于较重部件的锁紧。

Characteristics: It adopts surface contact which reduces unit pressure of contact surface so that it can effectively prevent damage of side core-pulling slider. It applies to locking of much heavier component.



Type	D	ST	L	L1	a	b	c	d	W	W1	R	R	安装螺丝 Mounting screws	荷重 (kgf) Max. holding weight	单价 ¥ Unit price
SLLK	16C	1.6	15	3.3	5	2.5	6	3.2	8	4	1	M4	M3x20	28.6	○
	16F													78.8	○
	20F	2.0	20	4.5	6	3.5	7.5	4.3	10	5	1.1	M5	M4x25	62.9	○
	20L													110.0	○

Order: - QTY

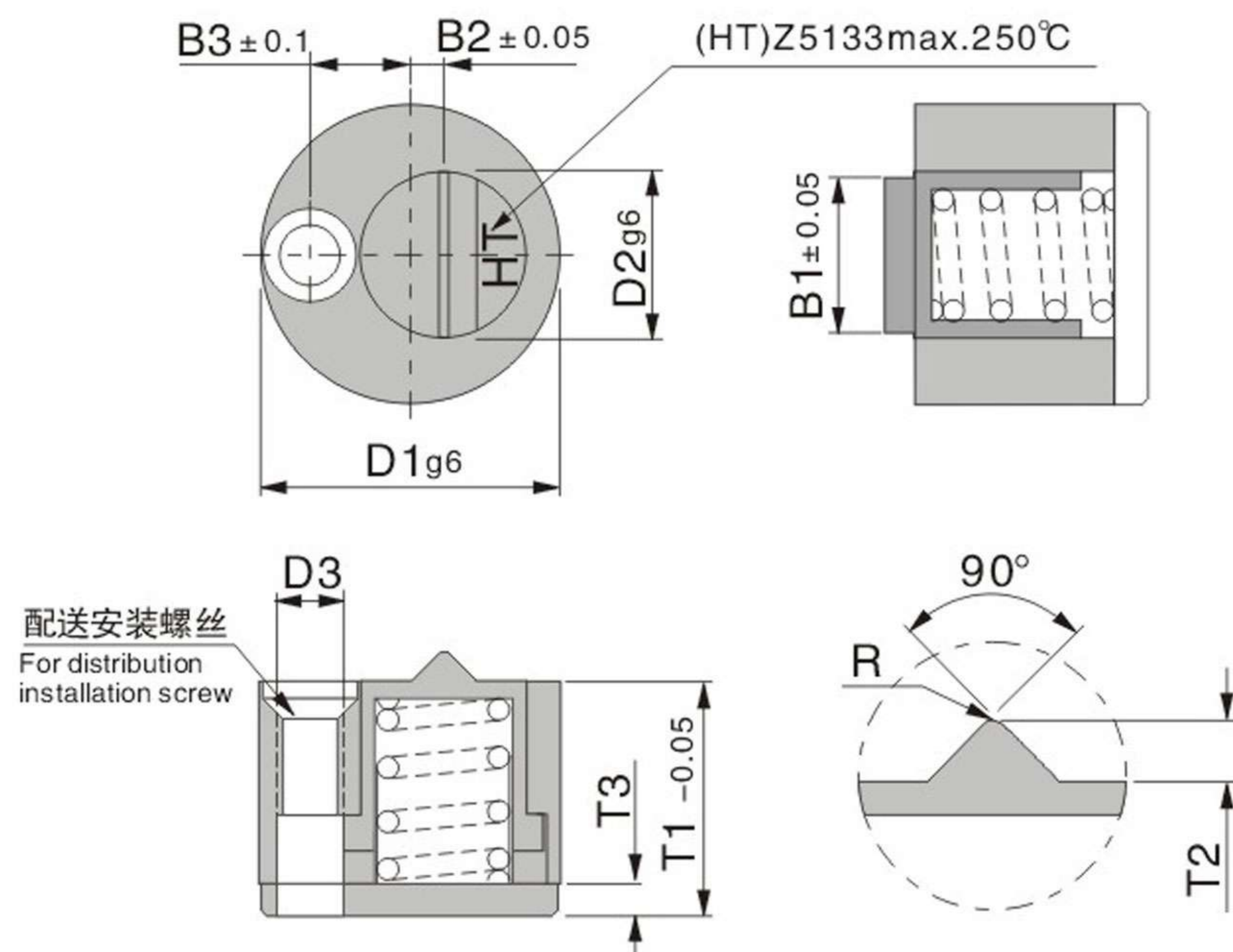
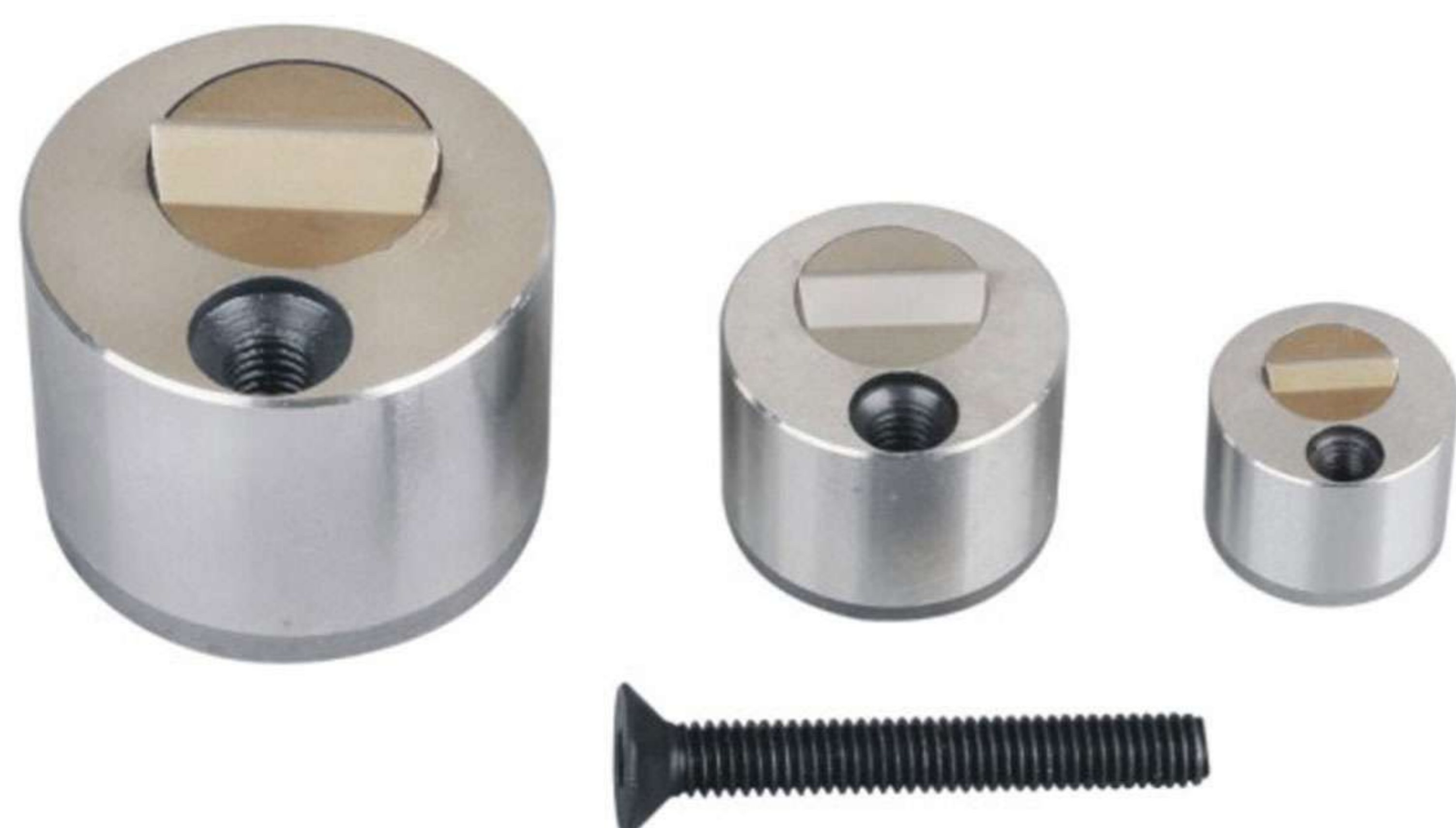
限位夾系列 Slide Retainer Series

Z5129/30 限位夾 Slide Retainer

- **Z5129** 耐高温型 (250°C)
High temperature resistant type. (250°C)

- **Z5130** 使用温度 (100°C)
End-use temperature 100°C

選購時請注明採購代號



Type	D1	D2	B1	B2	B3	T1	T2	T3	R	D3	安裝螺絲 Mounting screws	荷重 (kgf) Max. holding weight	單價 ¥ Unit price
Z5129	13	7	6.6	1.4	4.3	10	1.0	1.6	0.35	M3	M2 x 16	3.4	○
Z5130	18	10	9.6	2.0	6.0	14	1.8	2.0	0.50	M4	M3 x 20	4.2	○
	27	15	14.4	3.0	9.0	21	2.8	3.0	0.50	M5	M4 x 25	9.2	○

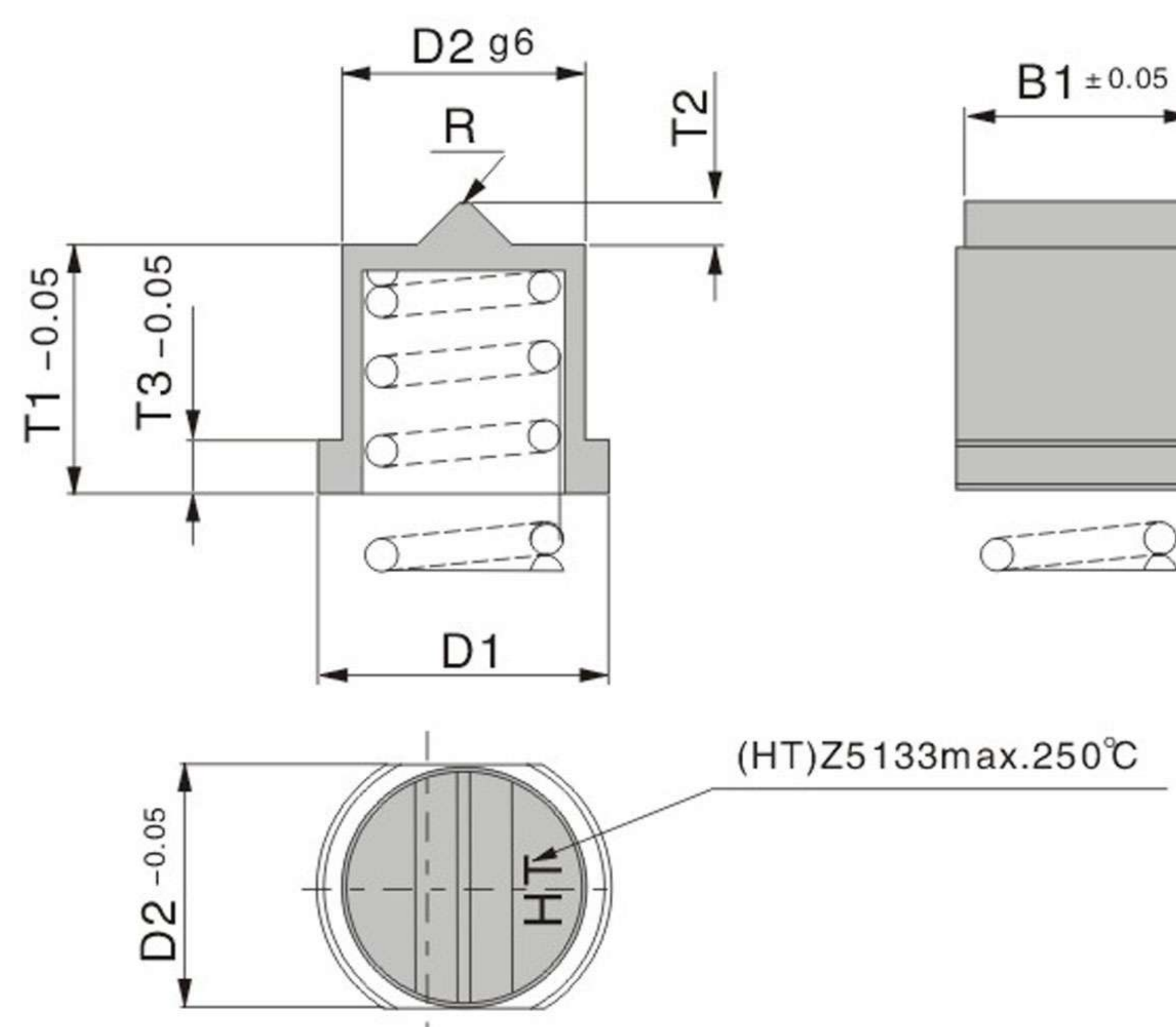
Order: Z5129 - D1 - Q'TY

Z5133/35 限位夾 Slide Retainer

- **Z5133** 耐高温型 (250°C)
High temperature resistant type. (250°C)

- **Z5135** 使用温度 (100°C)
End-use temperature 100°C

選購時請注明採購代號

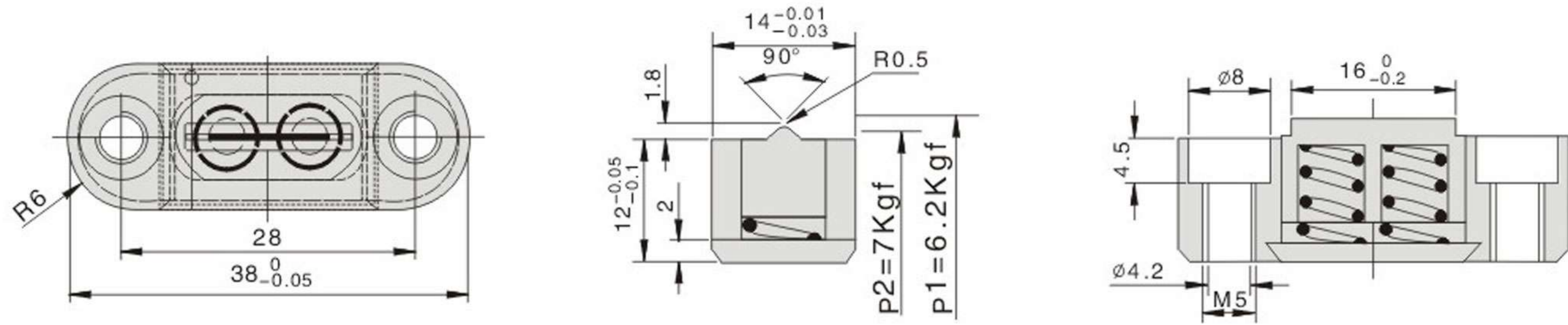


Type	D1	D2	B1	B2	B3	T1	T2	T3	D3	安裝螺絲 Mounting screws	荷重 (kgf) Max. holding weight	單價 ¥ Unit price
Z5133	8.4	7	6.6	1.4	4.3	10	1.0	1.6	M3	M2 x 16	3.4	○
Z5135	12	10	9.6	2.0	6.0	14	1.8	2.0	M4	M3 x 20	4.2	○
	8	15	14.4	3.0	9.0	21	2.8	3.0	M5	M4 x 25	9.2	○

Order: Z5133 - D1 - Q'TY

Z5140/0

限位夾 Slide Retainer

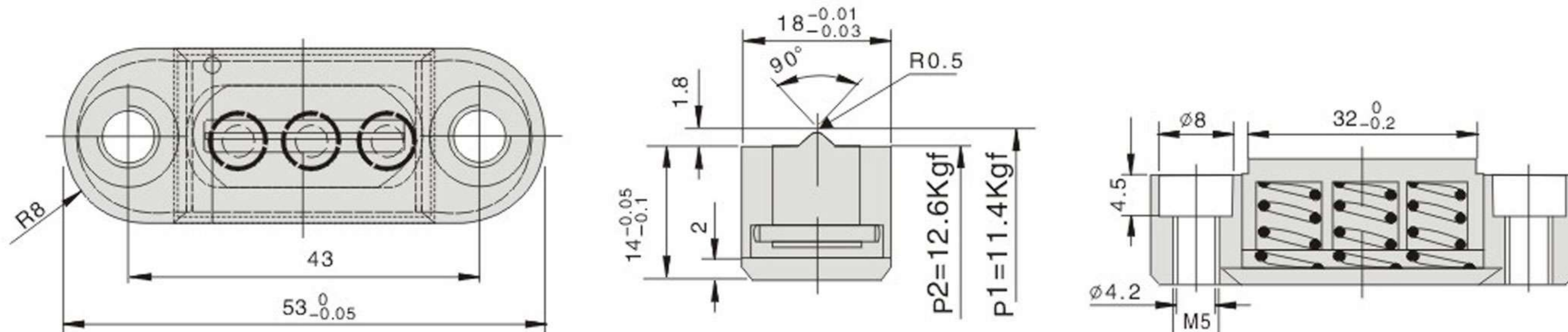


材質 1.2343
 硬度 HRC54° ± 2°

安装螺丝 Mounting screws	荷重 P1(kgf) Max. holding weight	荷重 P2(kgf) Max. holding weight	单价 ¥ Unit price
M4x20	6.2	7.0	○

Z5140/1

限位夾 Slide Retainer

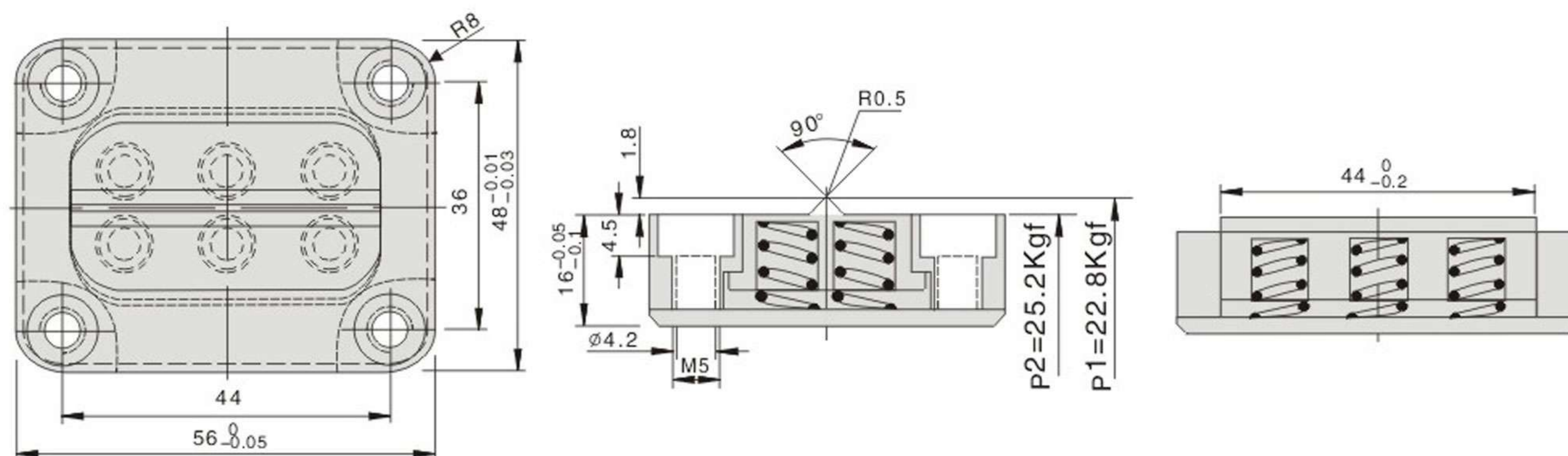


材質 1.2343
 硬度 HRC54° ± 2°

安装螺丝 Mounting screws	荷重 P1(kgf) Max. holding weight	荷重 P2(kgf) Max. holding weight	单价 ¥ Unit price
M4x20	11.4	12.6	○

Z5140/2

限位夾 Slide Retainer

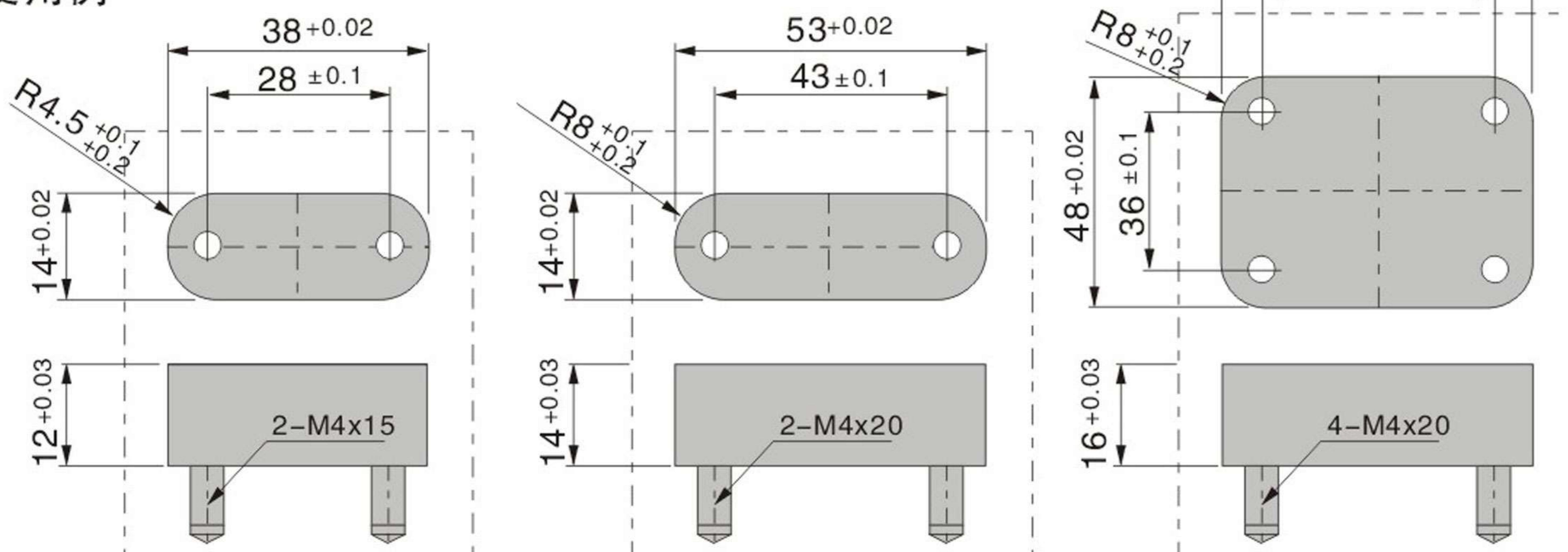


材質 1.2343
 硬度 HRC54° ± 2°

安装螺丝 Mounting screws	荷重 P1(kgf) Max. holding weight	荷重 P2(kgf) Max. holding weight	单价 ¥ Unit price
M4x20	22.8	25.2	○

Example

使用例



Order: Z5140/2 - Q'TY

限位夾系列 Slide Retainer Series

PSM

限位夾 Slide Retainer

G00000

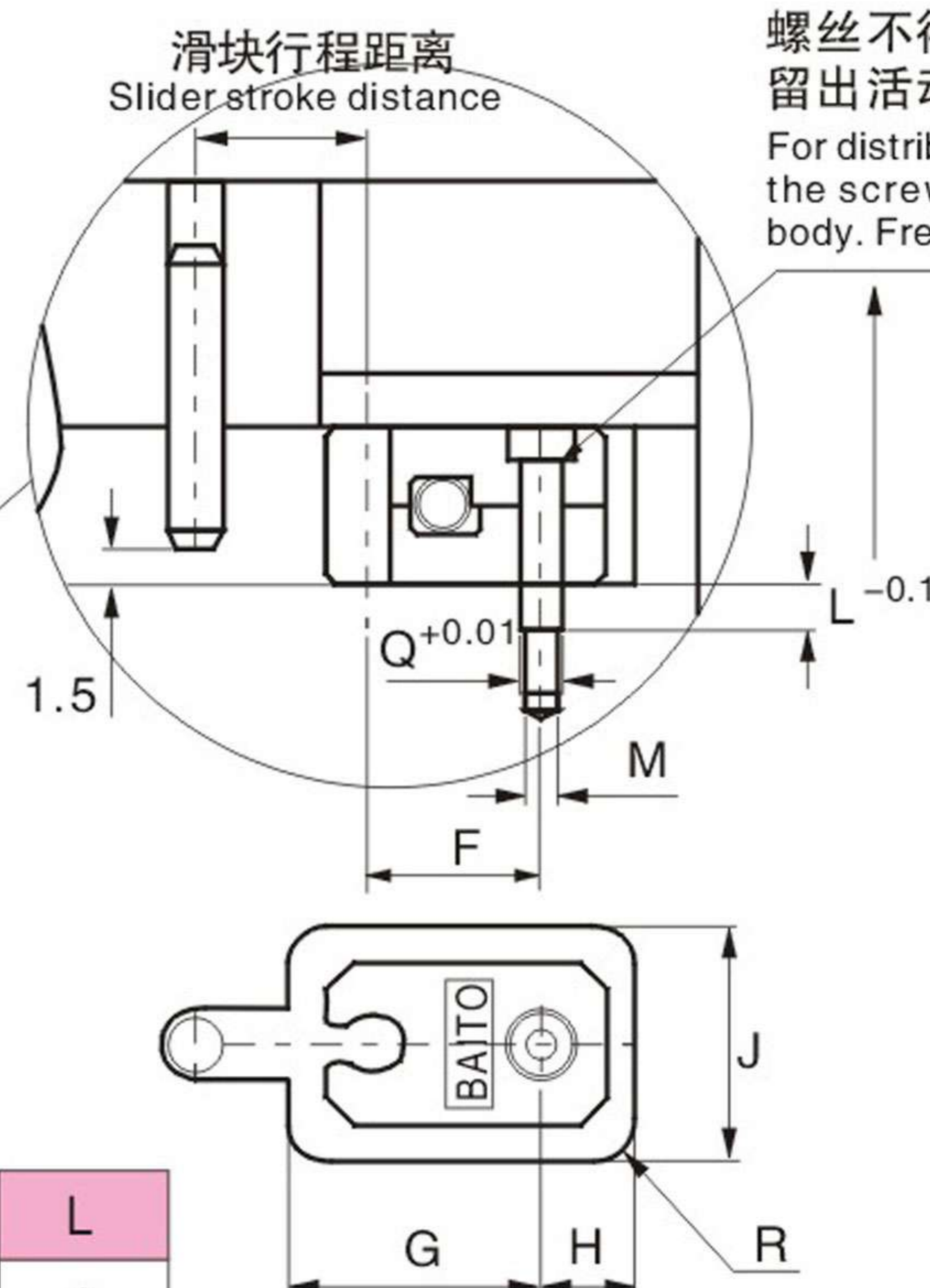
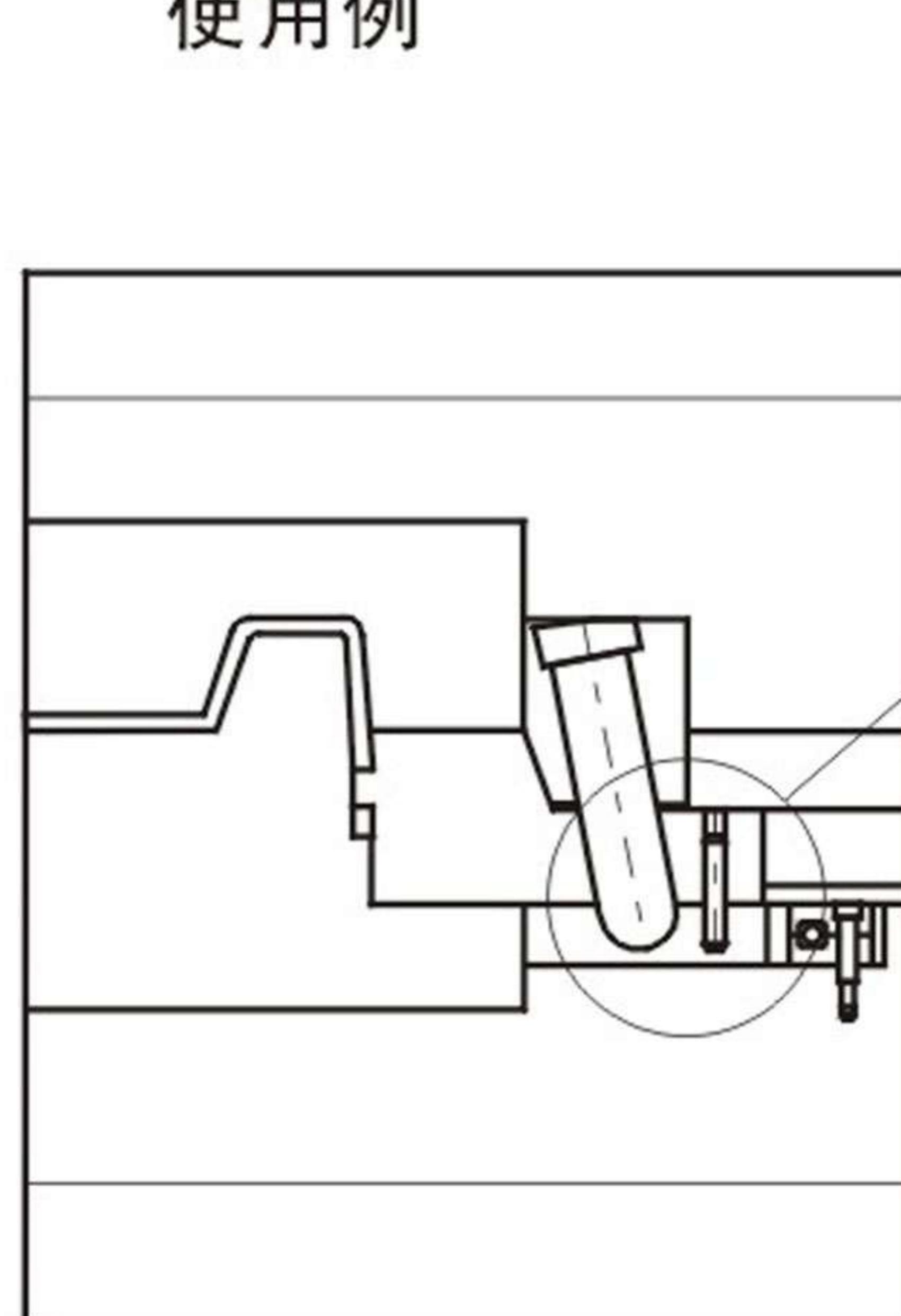
Example

使用例

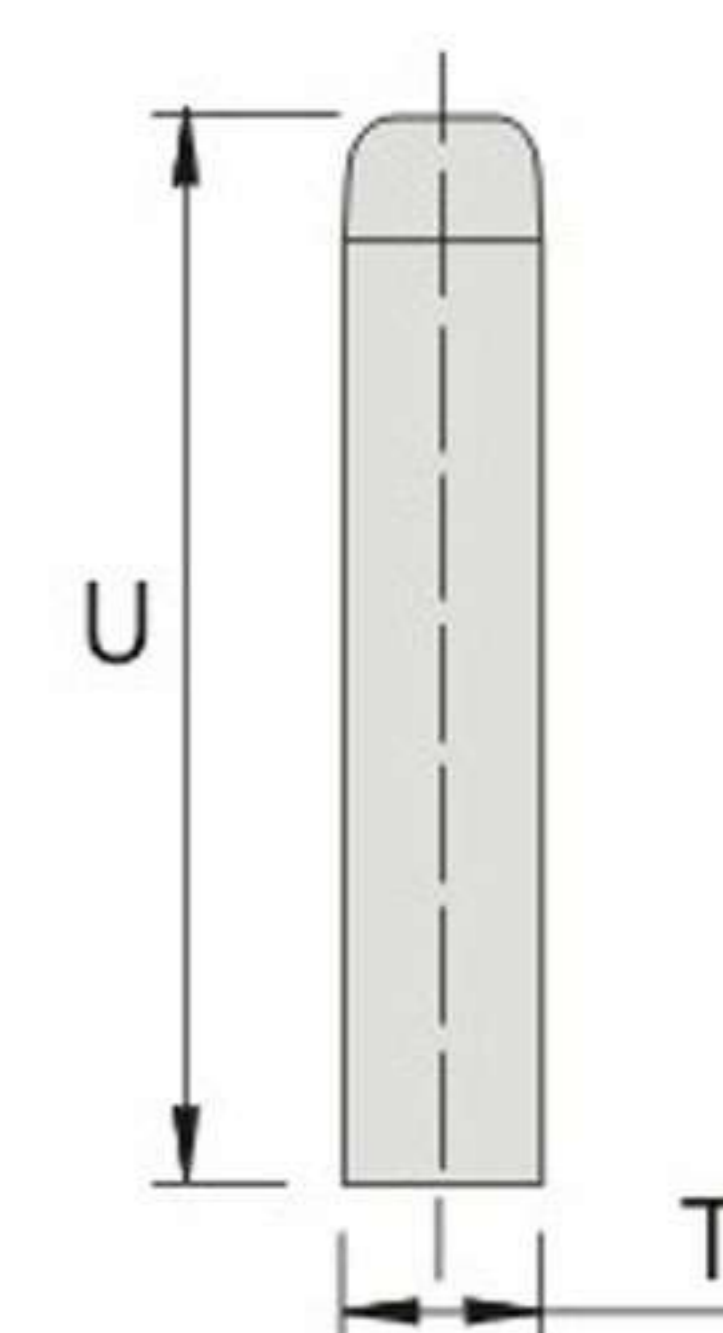
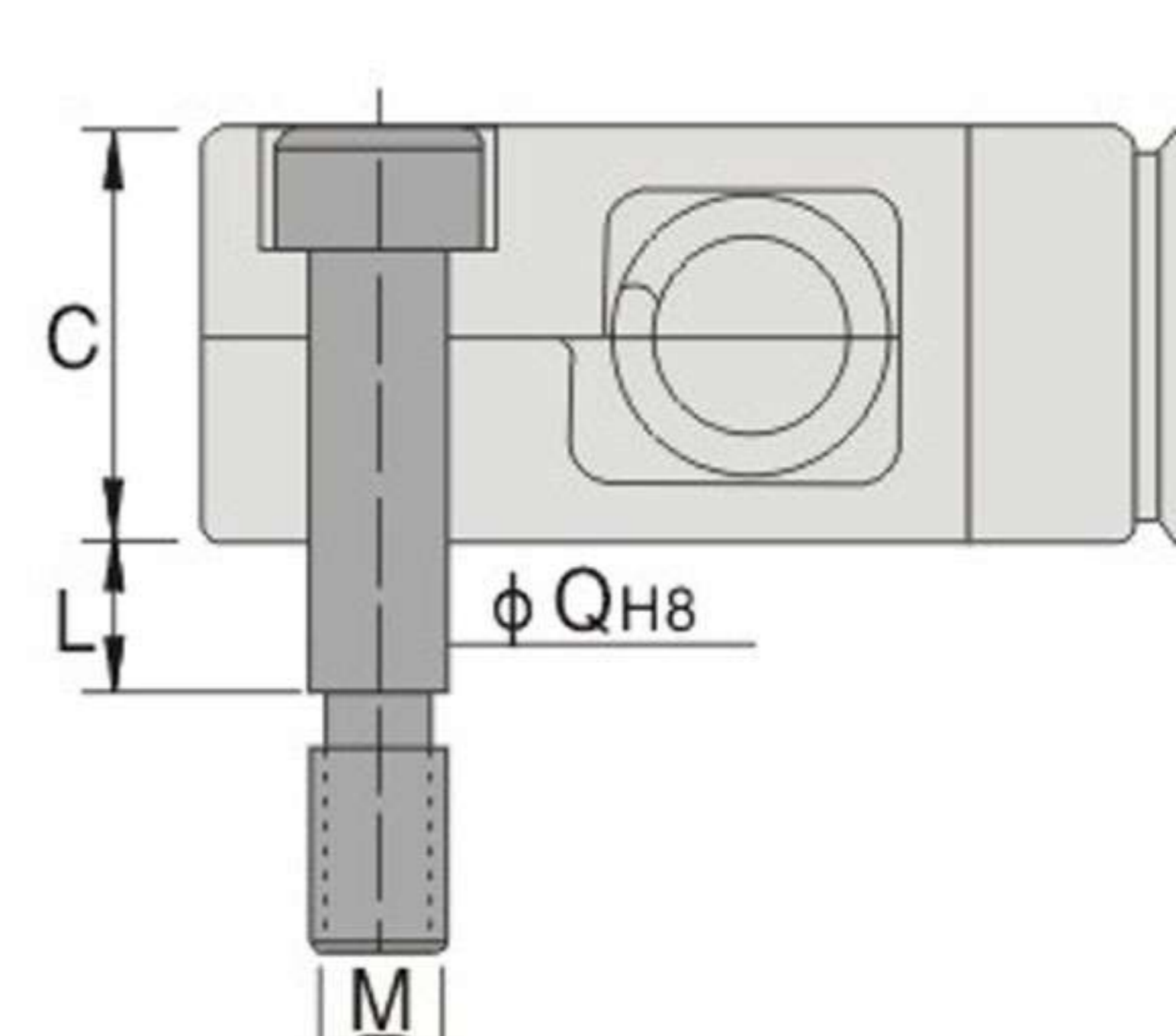
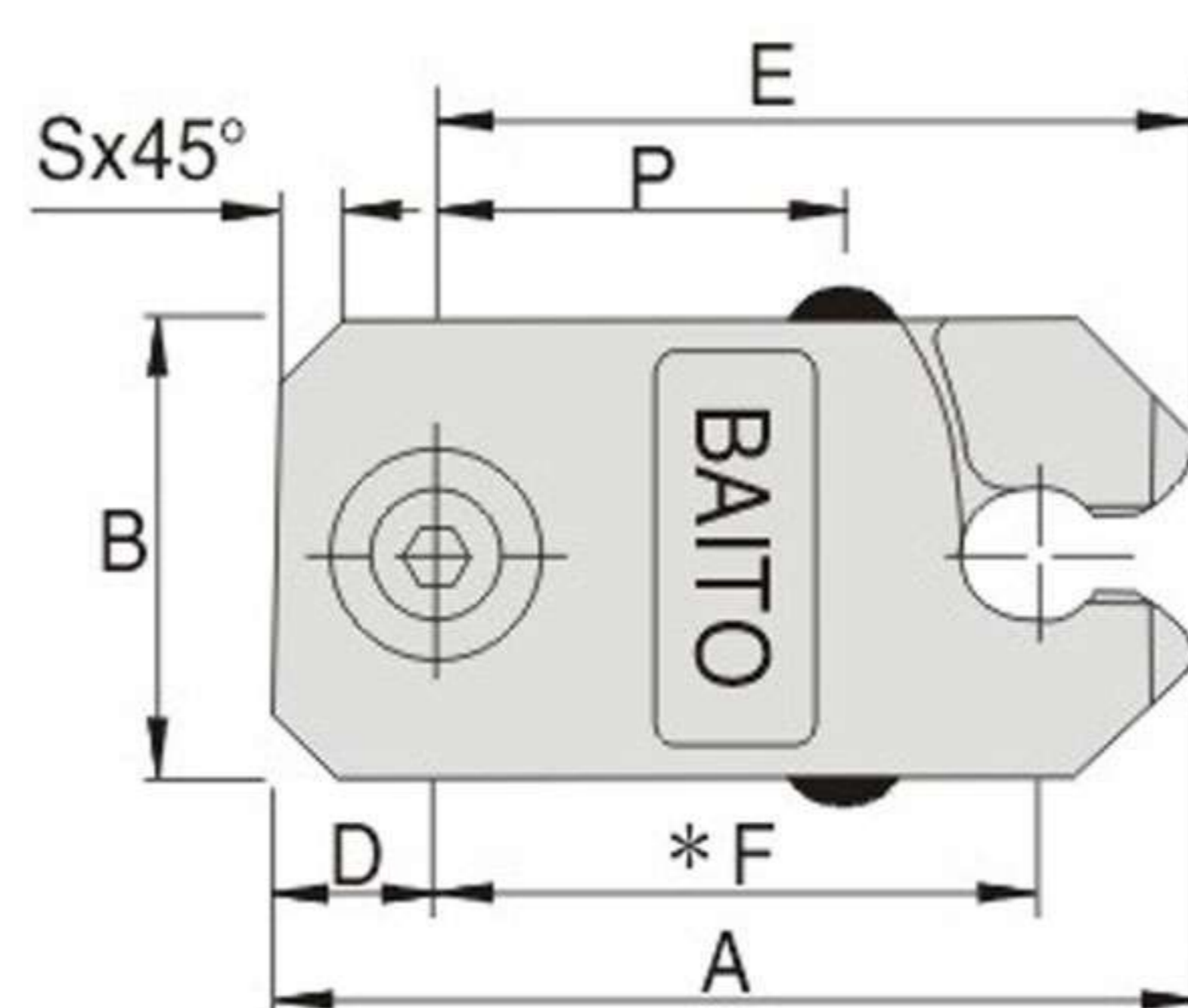


M 材質 合金鋼8620steel

H 硬度 HRC58°~62°



Type	G	H	J	R	M	L
PSM 001	34.3	9.9	25.4	7.5	M5	9
PSM 002	45.9	14.2	38.0	9.0	M6	11
PSM 003	69.8	22.3	50.8	12.7	M8	17



与英制PPSL系列不同的是：PPSM系列，其螺丝和锁紧销钉采用的是公制标准。
The difference from English system PPSL series is: For PPSM series, metric standard is adopted for its screw and locking pin.

公制：mmh

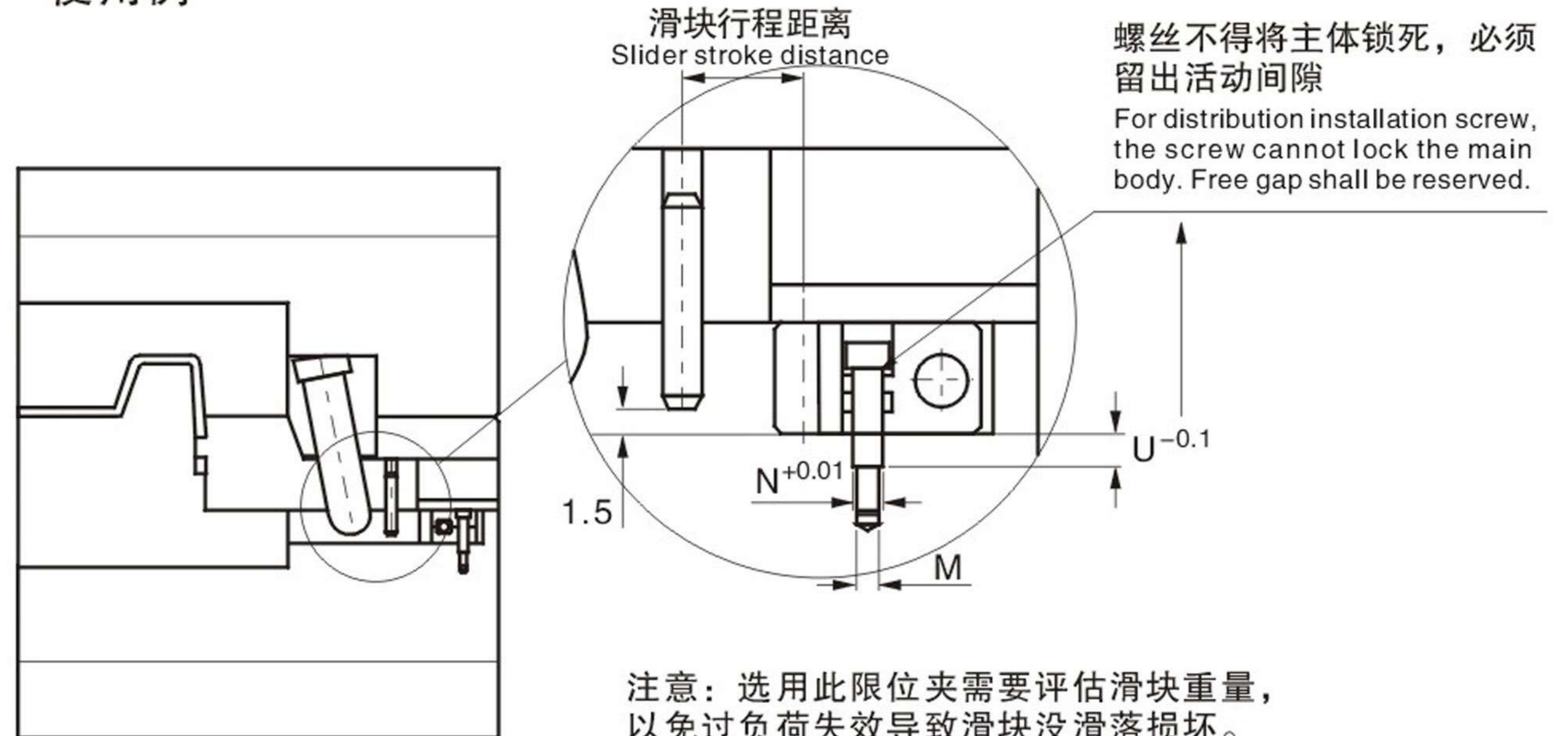
Type	尺寸 Size													荷重 Loading Weight Kgf	限位螺丝 Limit Screw	单价 ¥ Unit price
	A	B	C	D	E	*F	P	Q	M	T	U	L	S			
PSM001	38	19	16	7	31.5	24.89	15.5	6	M5	6	32	9	3.5	10	PM 5X20	○
PSM002	54	32	20	11	43.0	34.93	22.5	8	M6	8	40	11	6.35	20	PM 6X25	○
PSM003	86	45	30	19	67.0	53.98	40.0	10	M8	10	60	17	9.65	40	PM 8X40	○



Order: PSM001 - Q'TY

Example

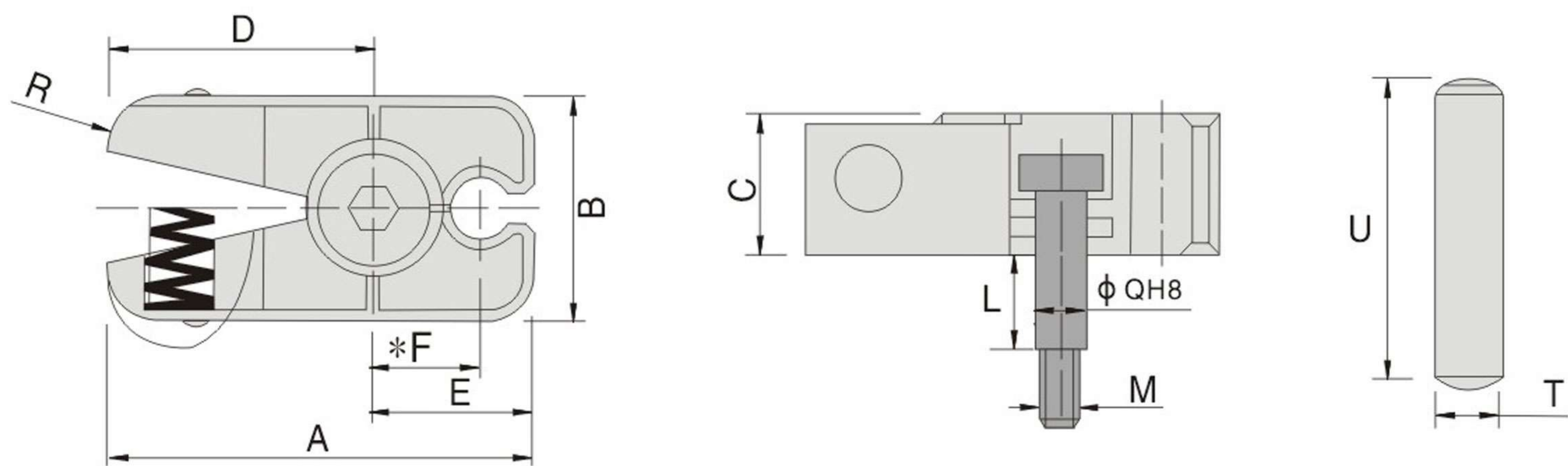
使用例



M 材質 合金鋼8620steel
H 硬度 HRC58°~62°

注意：选用此限位夹需要评估滑块重量，以免过负荷失效导致滑块没滑落损坏。
 Attention: It is required to evaluate slider weight when selecting this position limiting clip so as to prevent overload failure leading to slider damage without sliding.

该限位夹与PSM.PSL功能一样，但“F”距离更短，锁住的配合更加精密。
 This position limiting clip has the same function as that of PPSM.PPSL. However, "F" has shorter distance and locked coordination is more precise.



Type	尺寸 Size												荷重 Loading Weight Kgf	限位螺丝 Limit Screw	单价 ¥ Unit price
	A	B	C	D	E	*F	R	M	N	T	L	U			
MRT 10M	38	19	16	22	16	9.15	5	M5	6	6	6	30	10	PM 5X16	○
MRT 20M	54	32	20	33	21	12.7	6	M6	8	8	8	40	20	PM 6X20	○
MRT 40M	86	45	30	53	33	20.3	10	M8	10	10	10	60	40	PM 8X30	○

Order: MRT 10M - Q'TY

限位夾系列 Slide Retainer Series

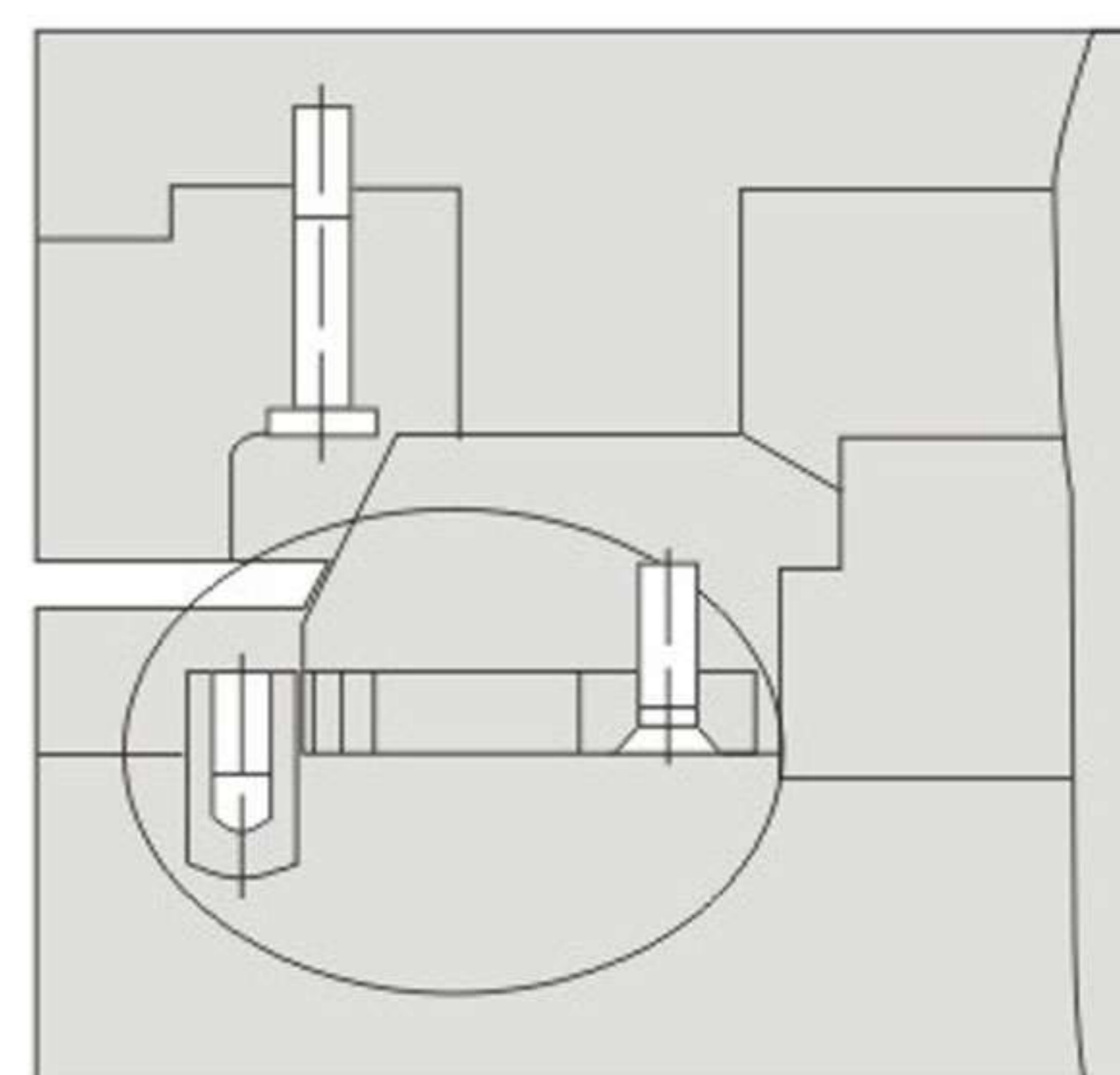
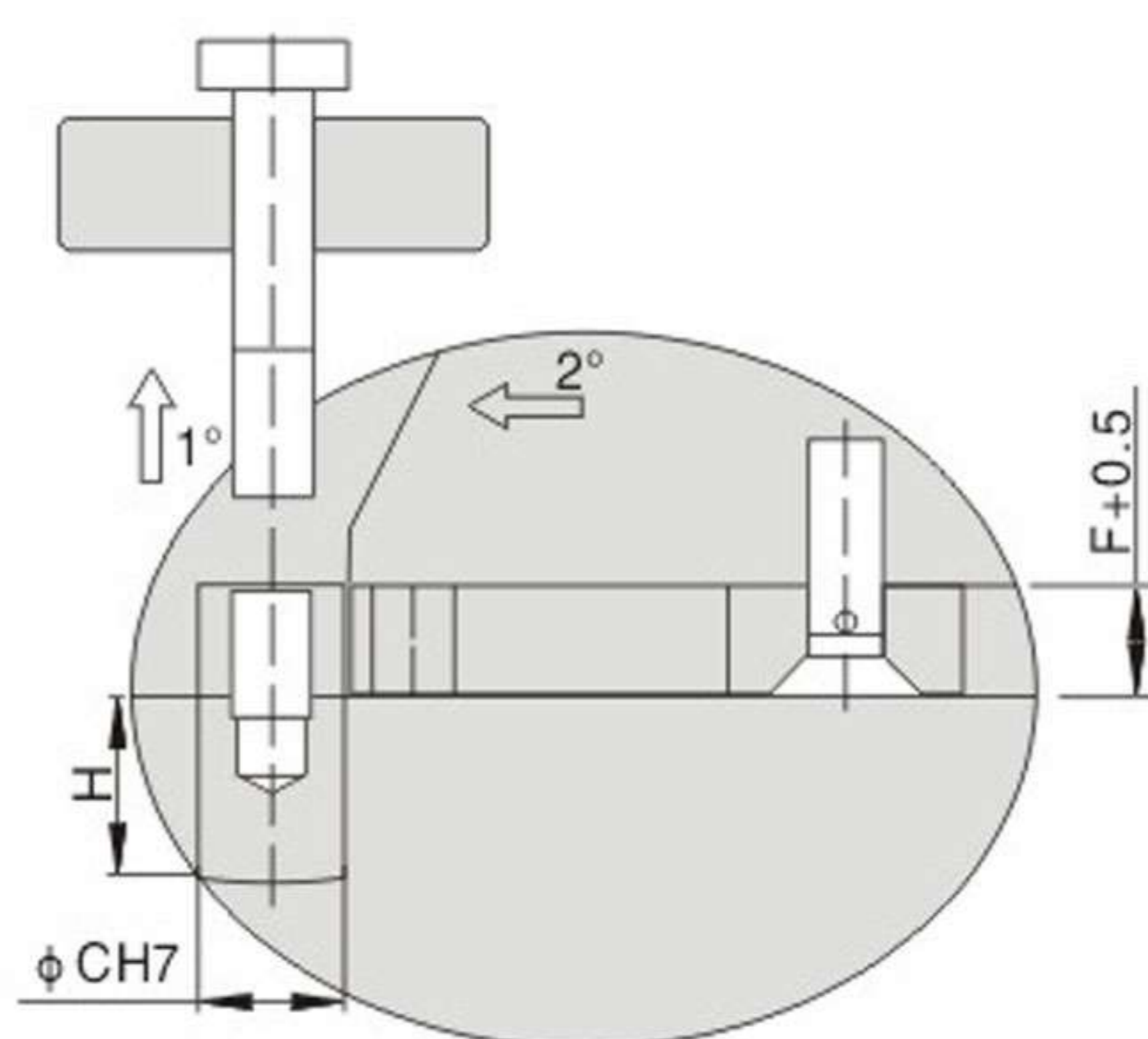
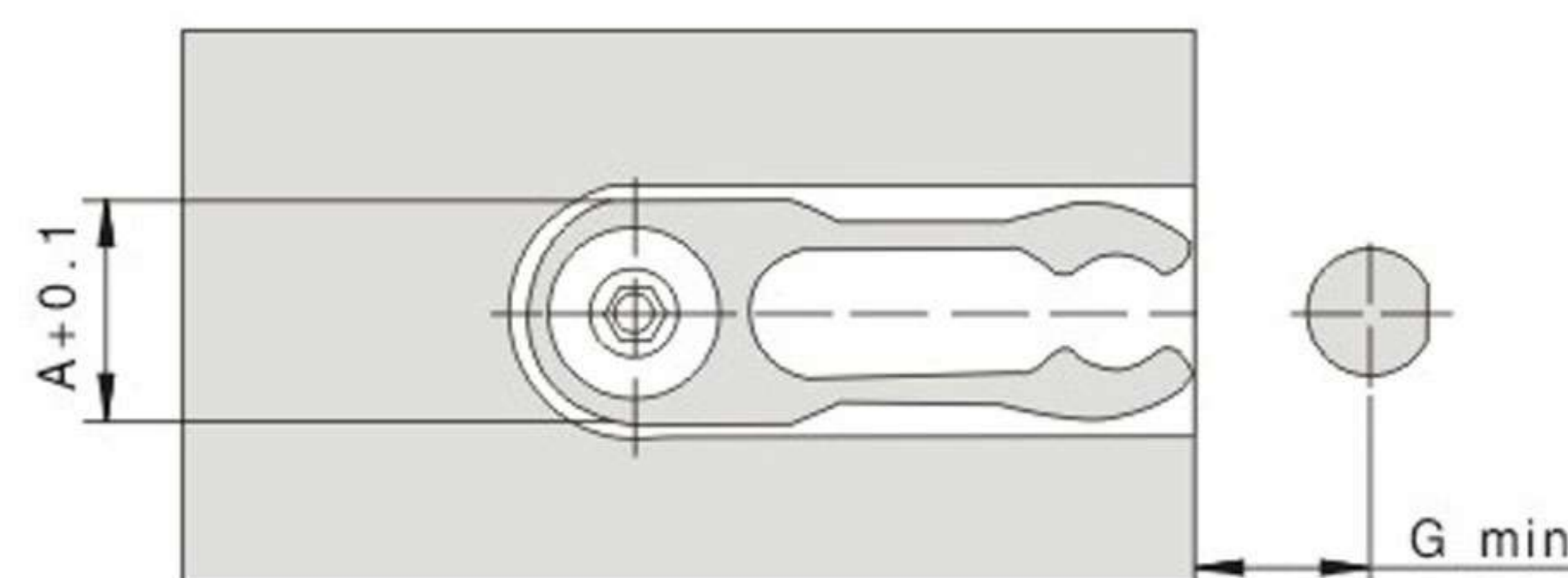
RC

限位夾 Slide Retainer



Example

使用例



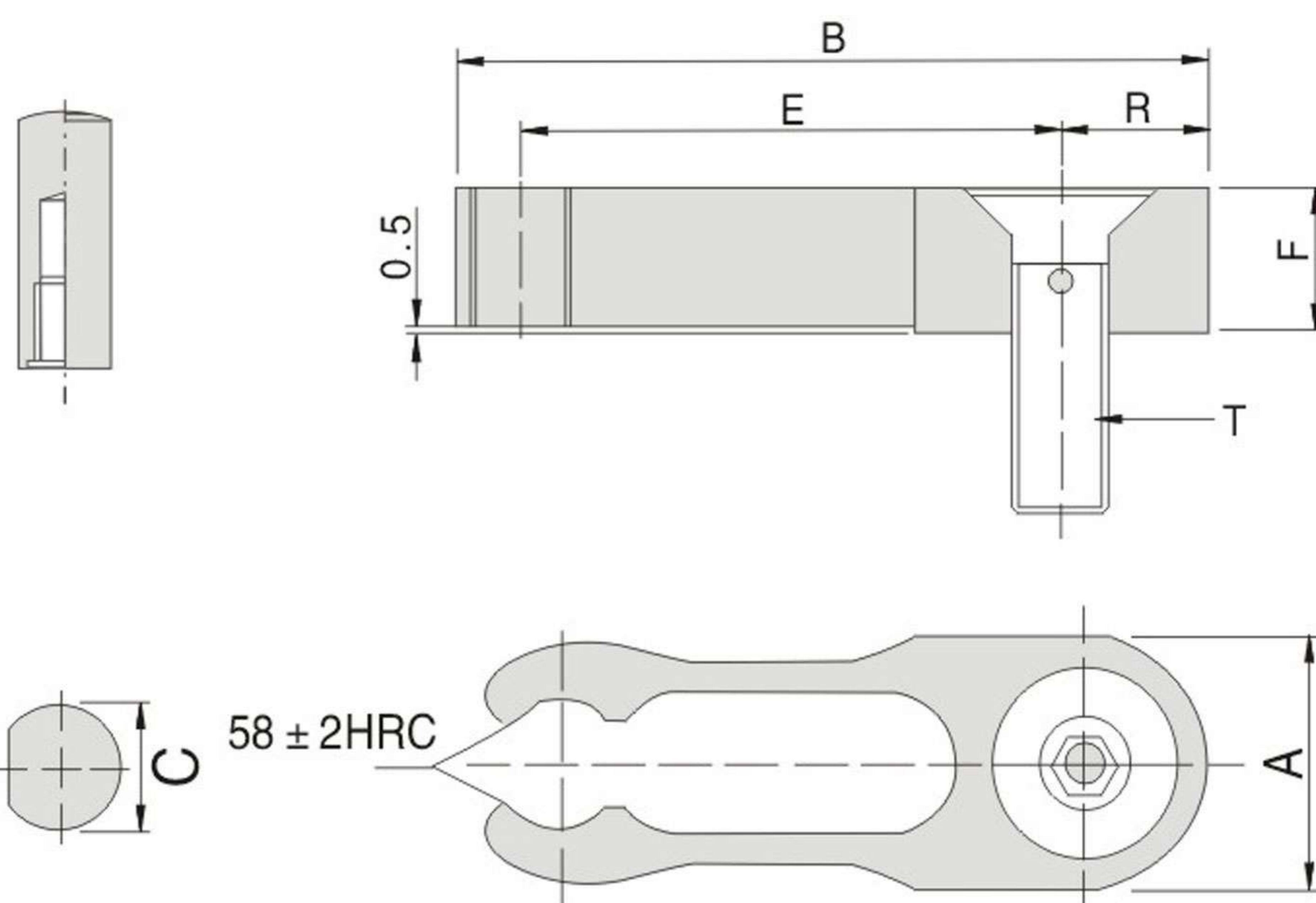
材質 1.8159

硬度 HRC45° ± 3°

非常简单实用，只需要很小的空间就可以安装固定。

It is very simple and practical, and can be fixed in a very small space.

限位夾系列



Type	尺寸 Size									荷重 Loading weight	单价 ¥ Unit price
	A	B	C	E	F	G	H	R	J	K(kgf)	
RC.123006	12	30	6X20	21	5	4	16	6	M5X16	5	○
RC.164008	16	40	8X20	28	6	5	15	8	M6X25	7	○
RC.205010	20	50	10X24	34	8	6	17	10	M8X30	14	○
RC.246012	24	60	12X32	42	10	7	23	12	M10X40	21	○
RC.328012	32	80	16X40	56	12	9	27	16	M12X50	28	○
RC.328016					16		25			38	

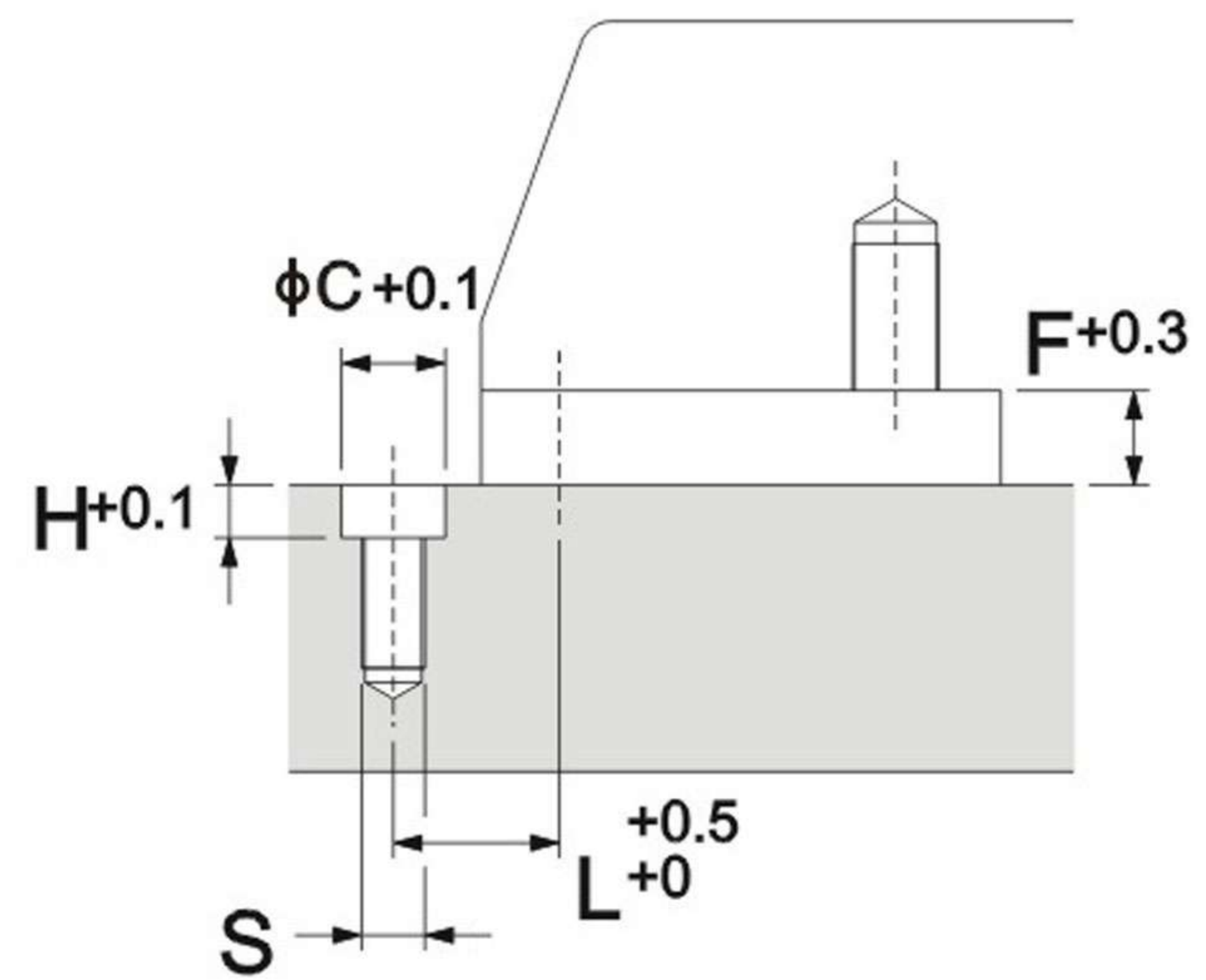
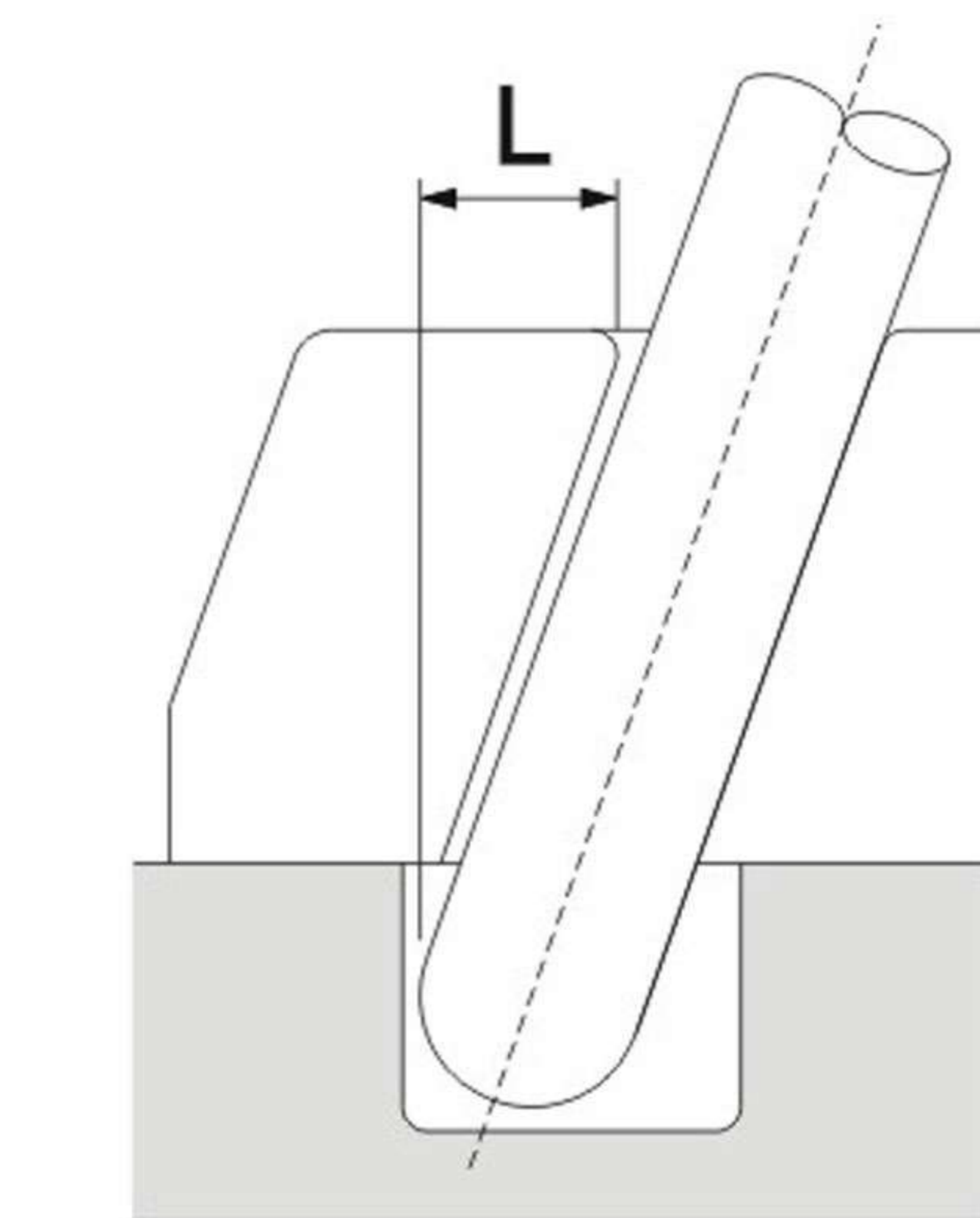
Order: RC.123006 - Q'TY

- 在RC基础上改良型

It is an improved type on the basis of RC.

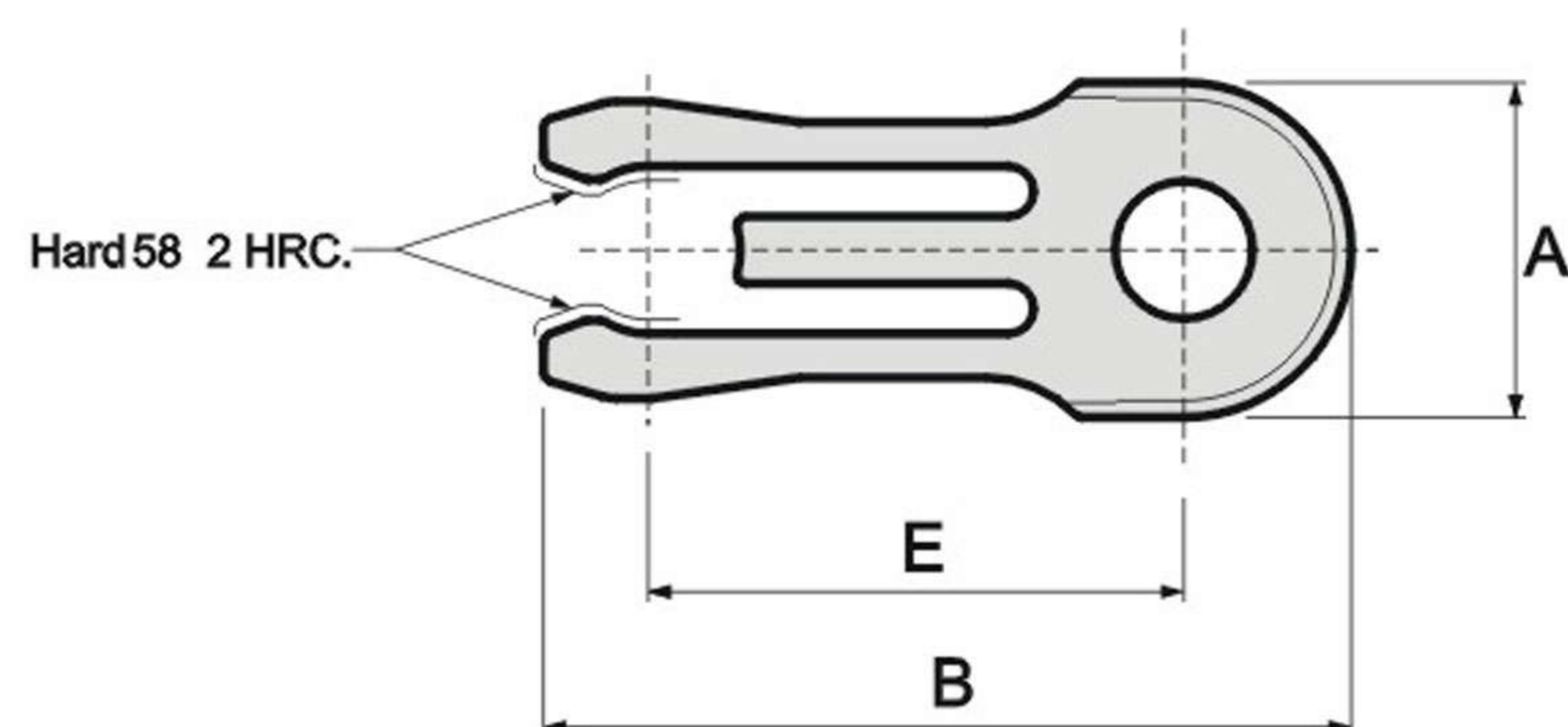
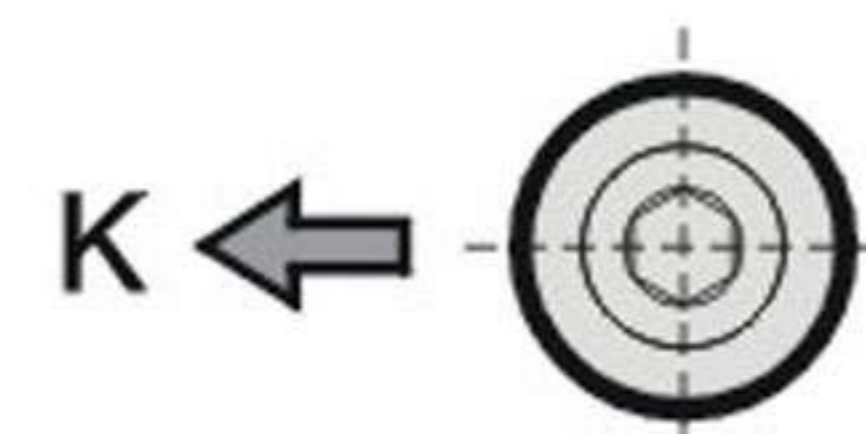
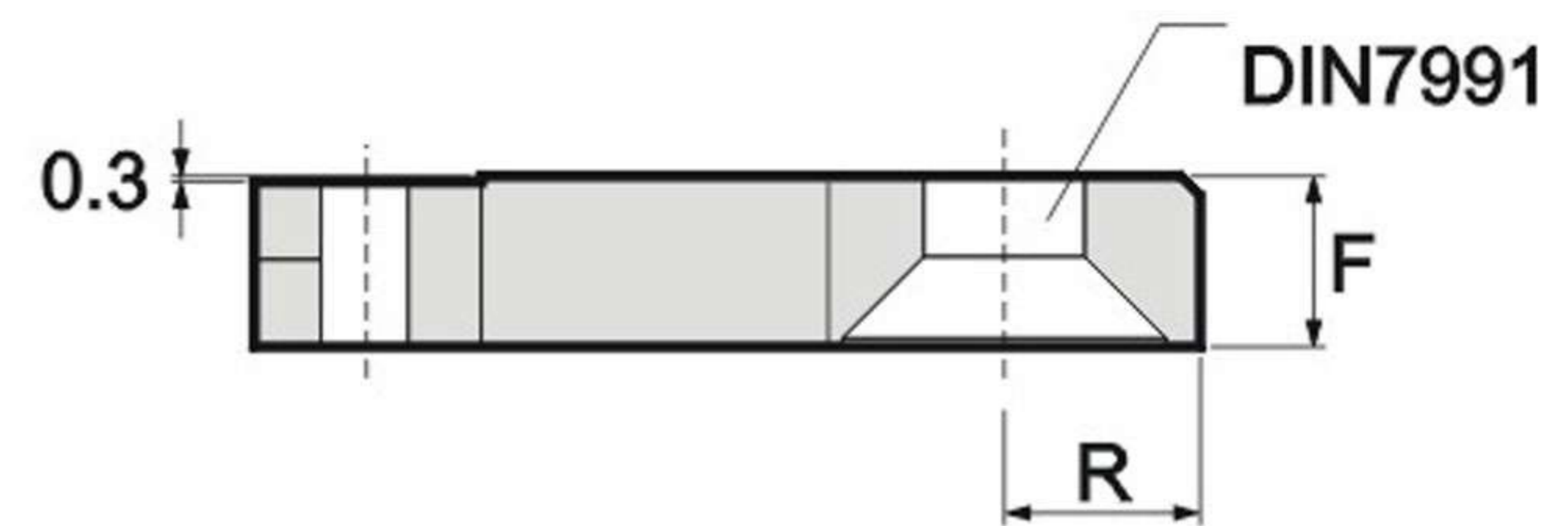
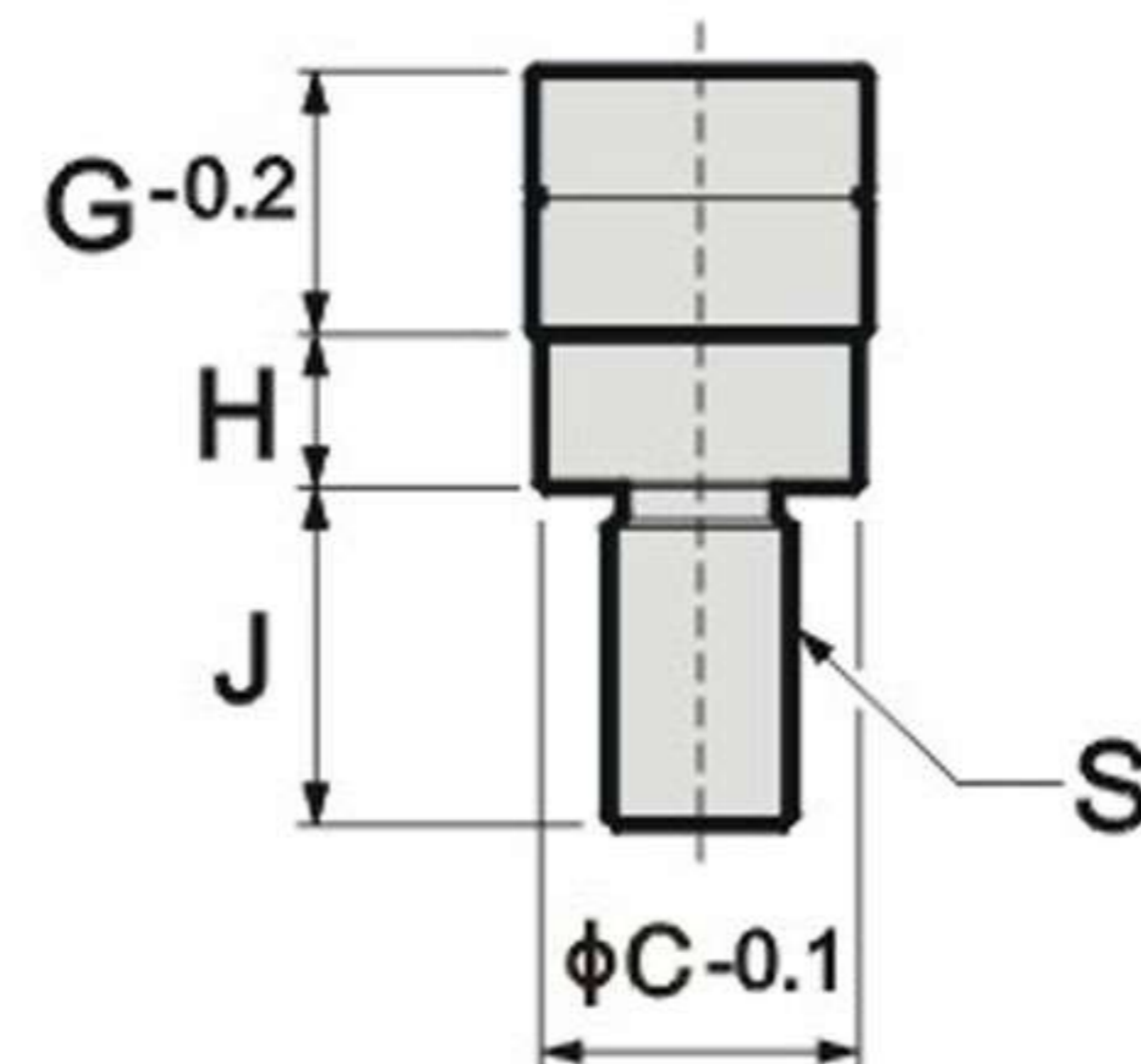
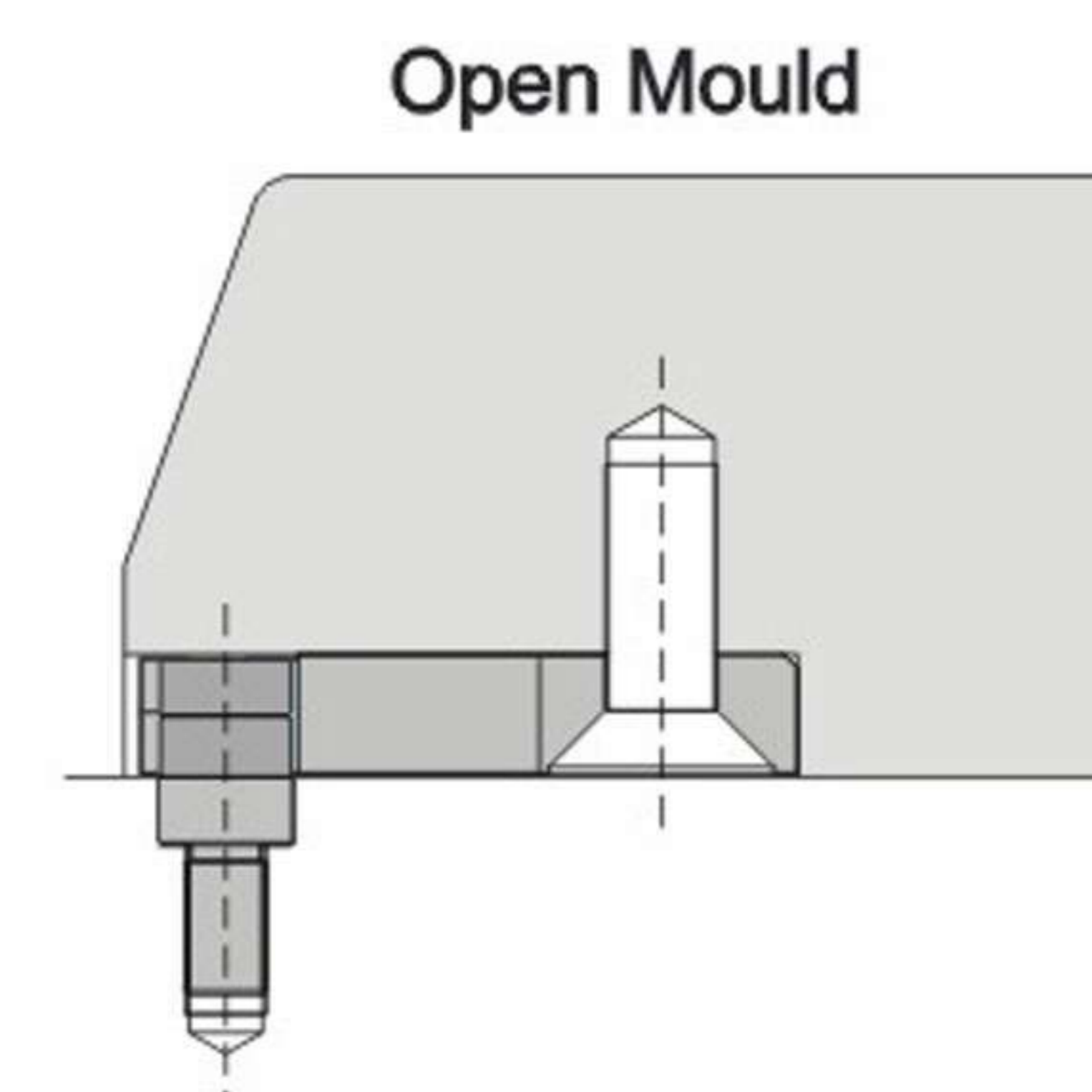
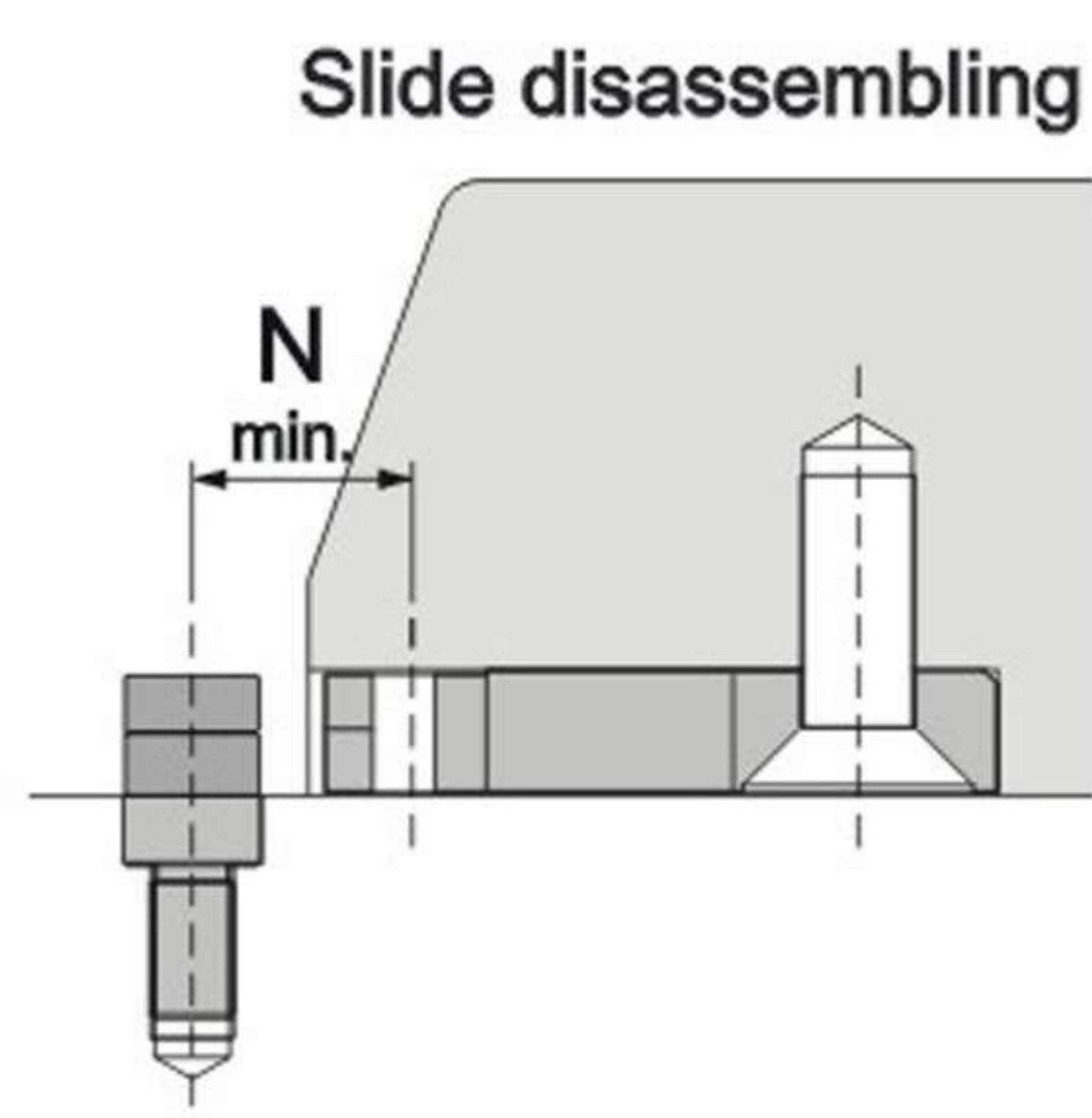
Example

使用例



M 材質 1.8159

H 硬度 HRC45° ± 3°



Type	A	B	C	E	F	G	H	J	K	N	R	S	T	单价 ¥ Unit price
RCM.163808	16	38	8	25	7.7	7.6	4	10	10kg	7	8	M5	M5	○
RCM.204810	20	48	10	32	8.7	8.6	5	11	14kg	8	10	M6	M6	○
RCM.245712	24	57	12	37.5	9.7	9.6	6	12	18kg	9	12	M8	M8	○

Order: RCM.163808 - Q'TY

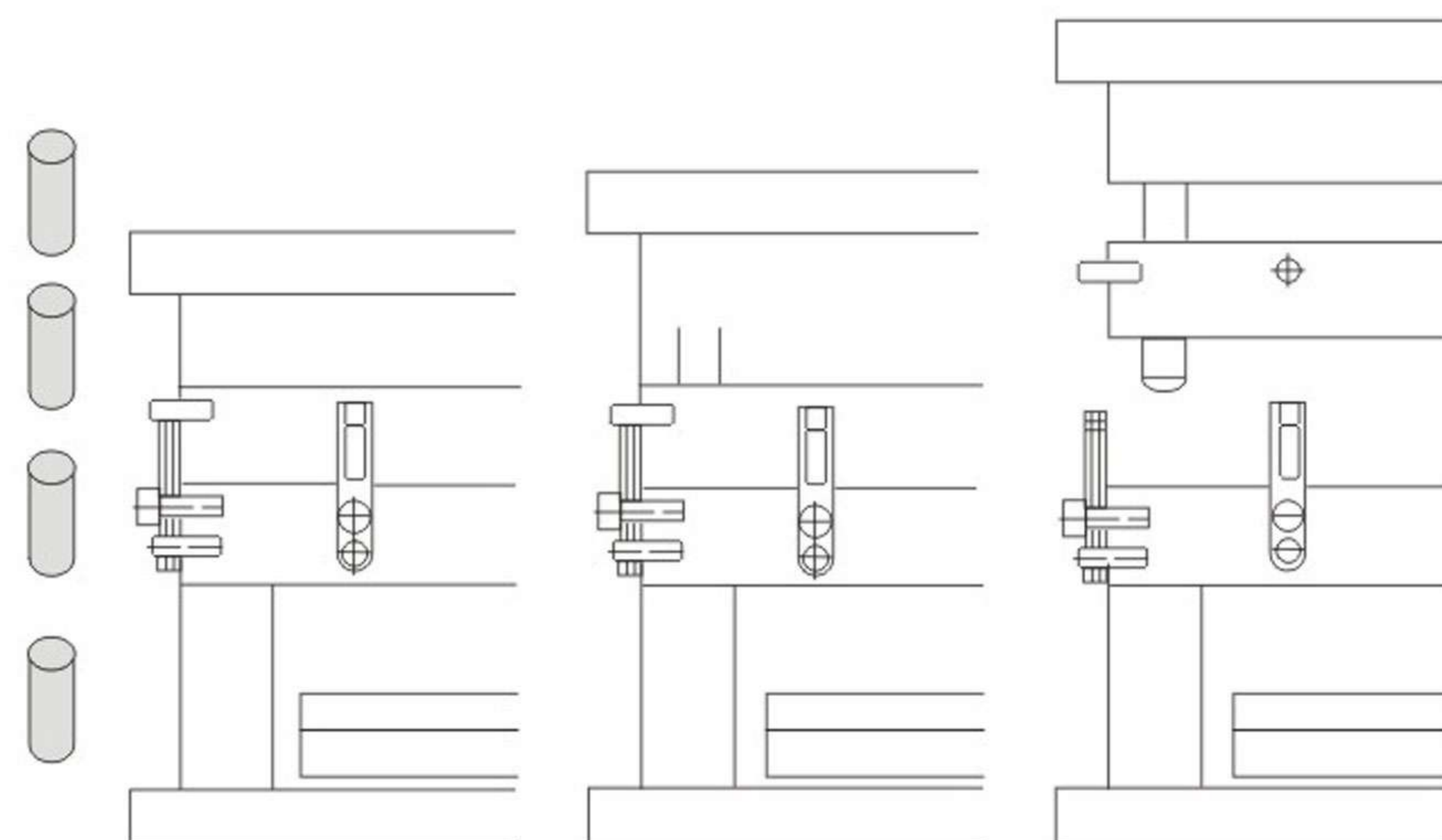
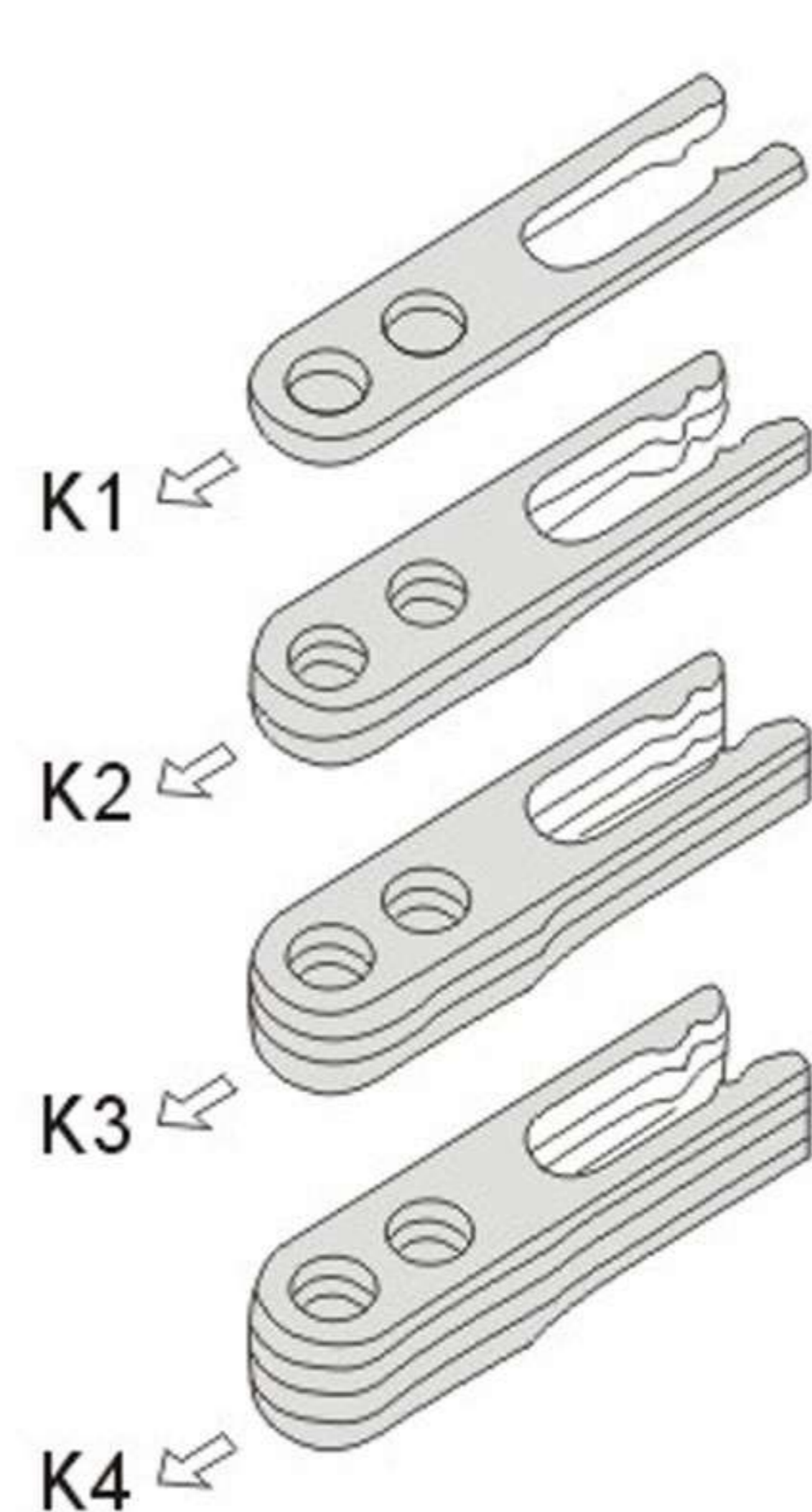
限位夾系列 Slide Retainer Series

RRM

限位夾 Slide Retainer

Example

使用例



合模状态
Mold closed

第一次开模
The first time
open mold

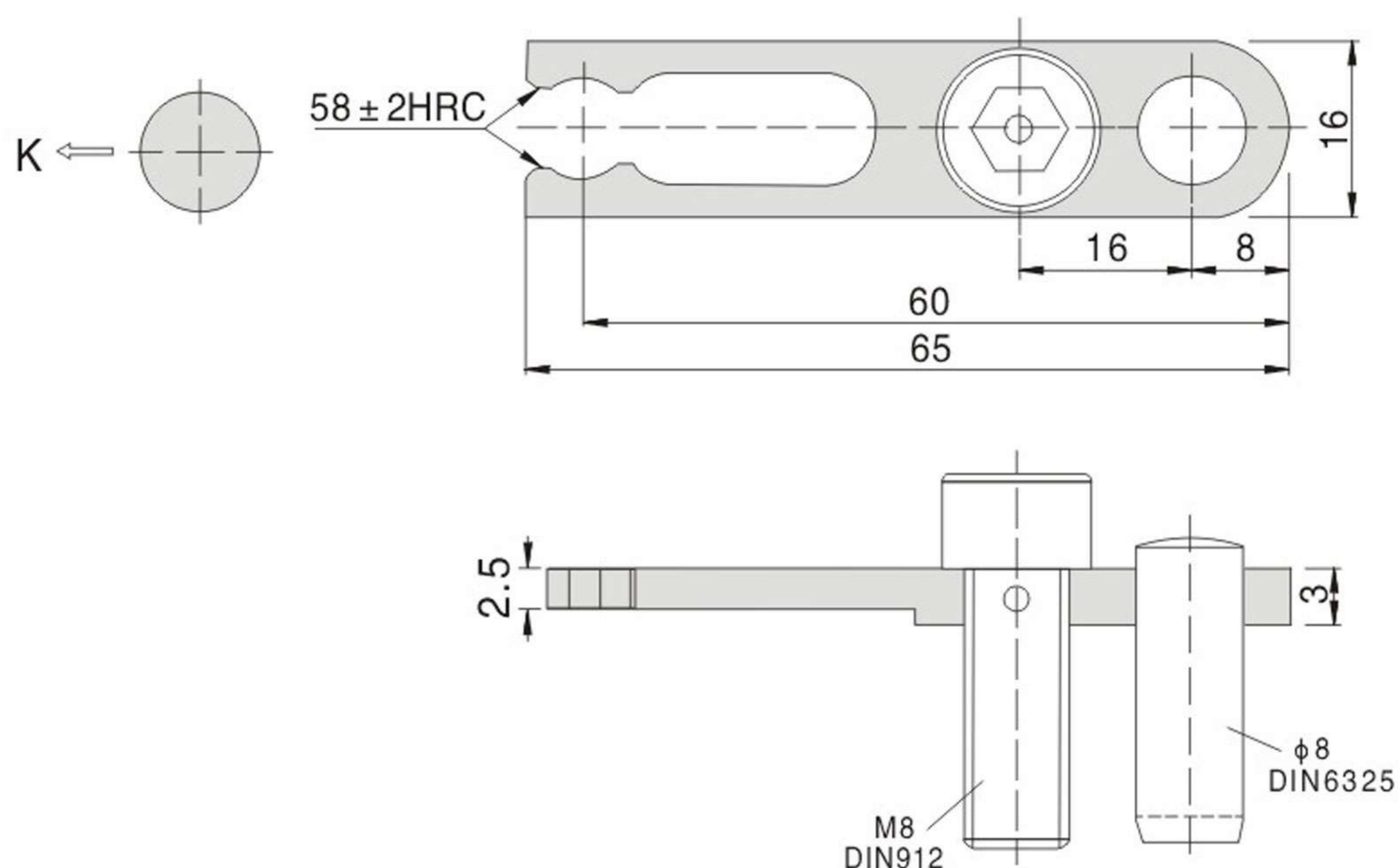
第二次开模
The second time
open mold

材質 1.8159

硬度 HRC45° ± 3°

标准限位夹，对延迟模具的分开和闭合是非常有用的，它能够通过增加夹子的数量来增大限位夹的荷重。

The standard limiting location chip is very useful to delay the dividing and closing of mould, and it can increase the load of limiting location chip by increasing the number of chips.



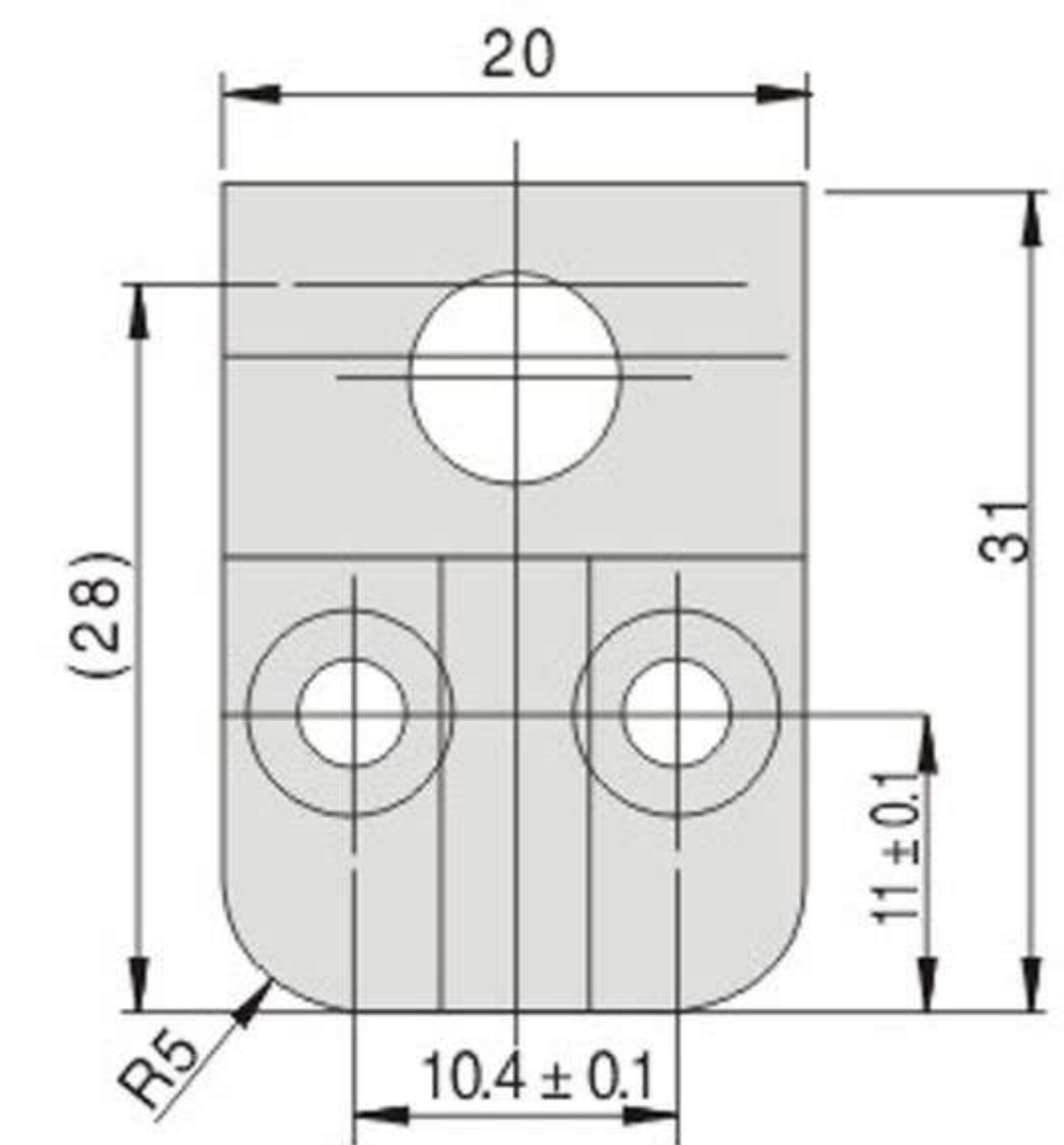
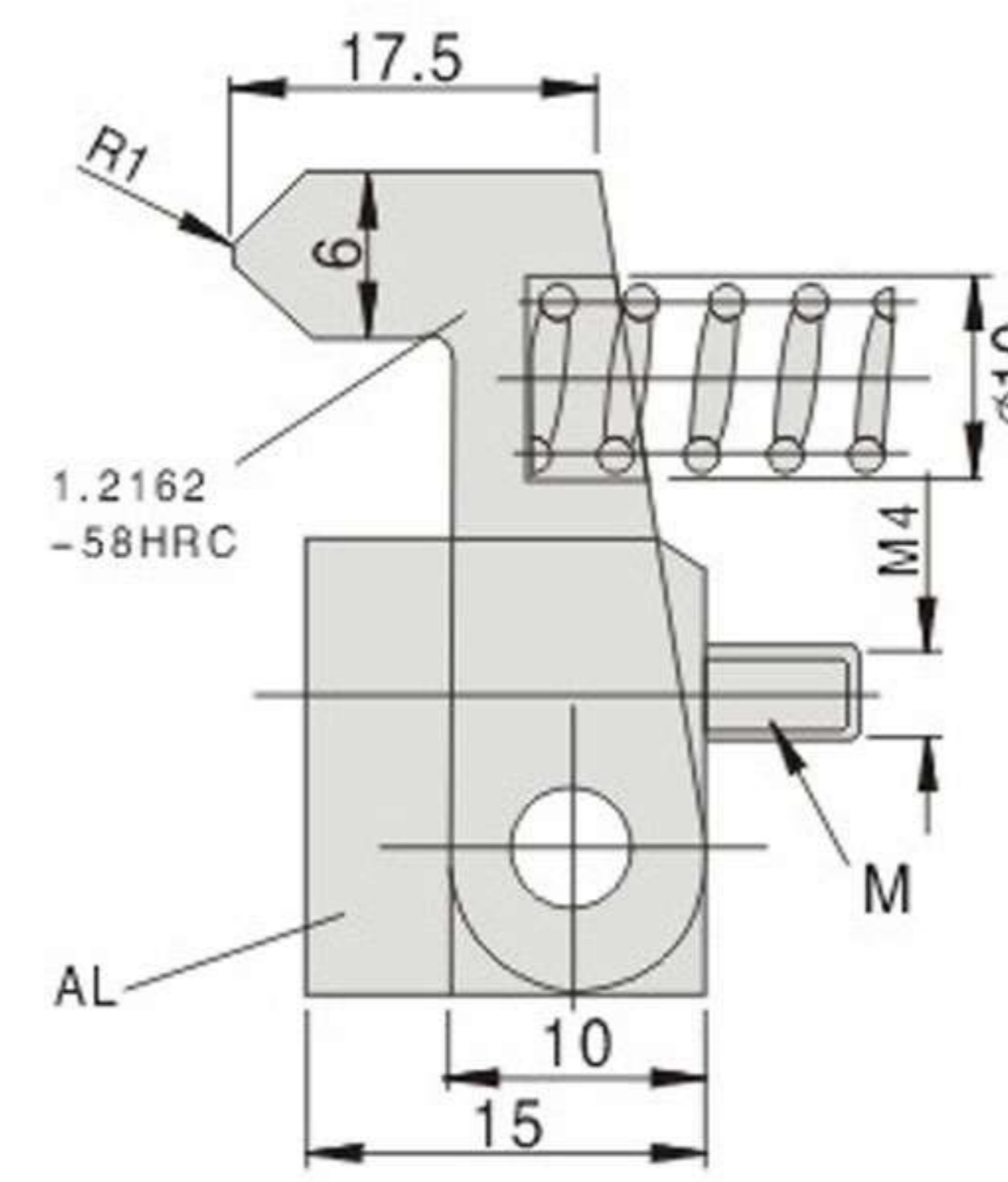
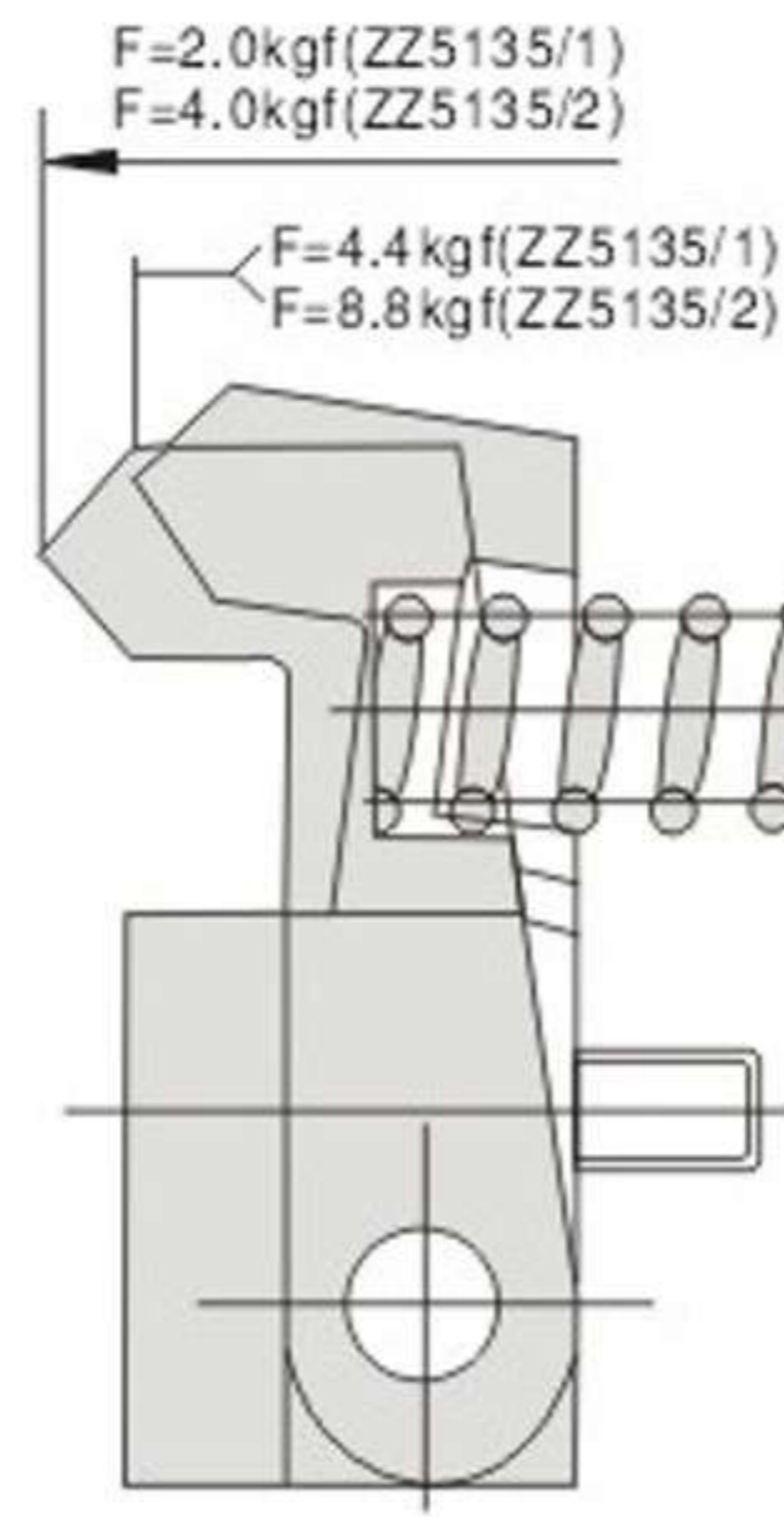
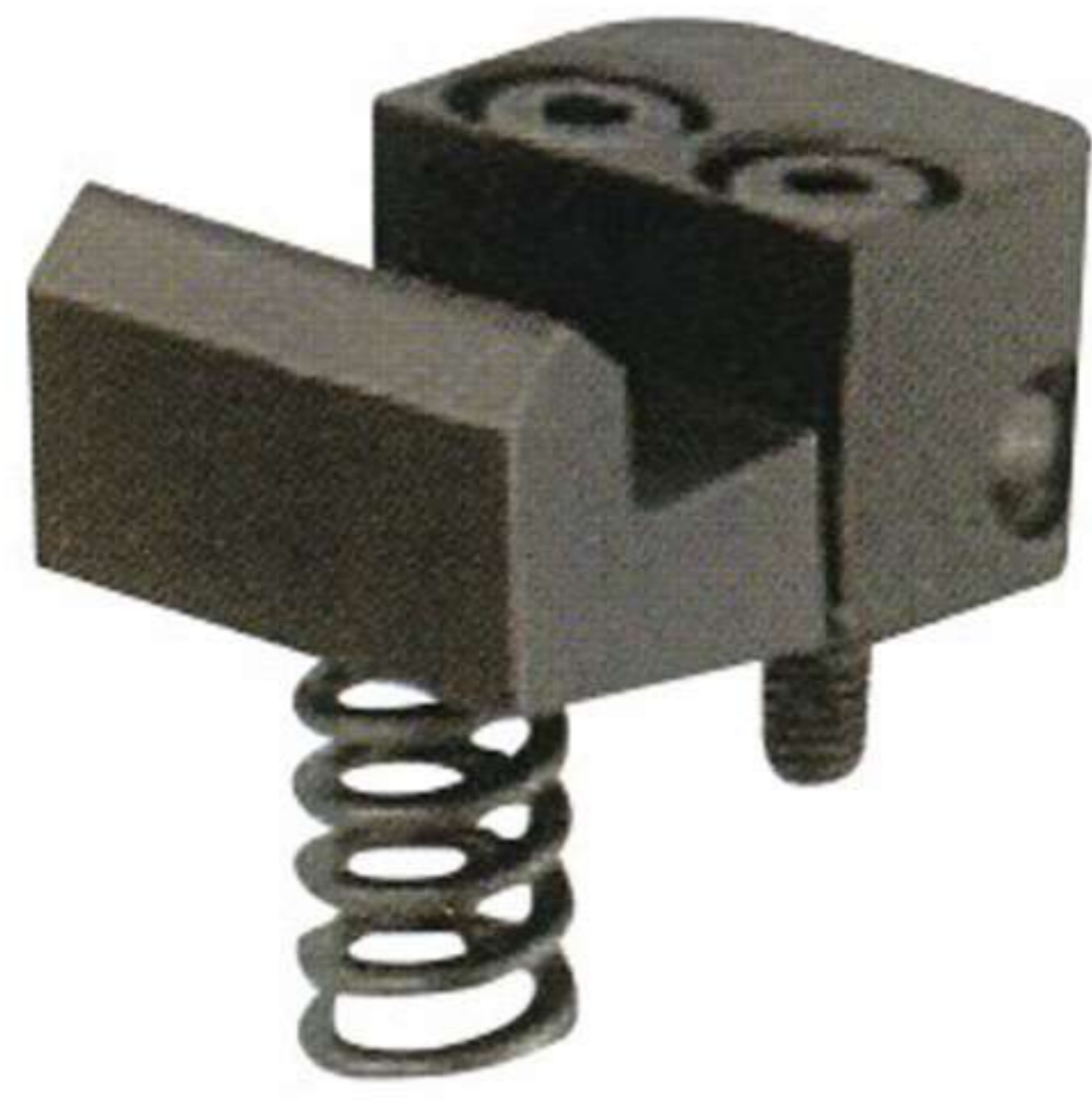
※注意：下表中的荷重值是通过安装一、二、三或更多的夹子而得来的，它是一组近似值，仅供参考。

Note: The load data are from installed clamps, they are approximation, just for reference.

Type	荷重 Loading weight (Kgf)				单价 ¥ Unit price
	K1	K2	K3	K4	
RRM.651608	7.5	15	22.5	30	○

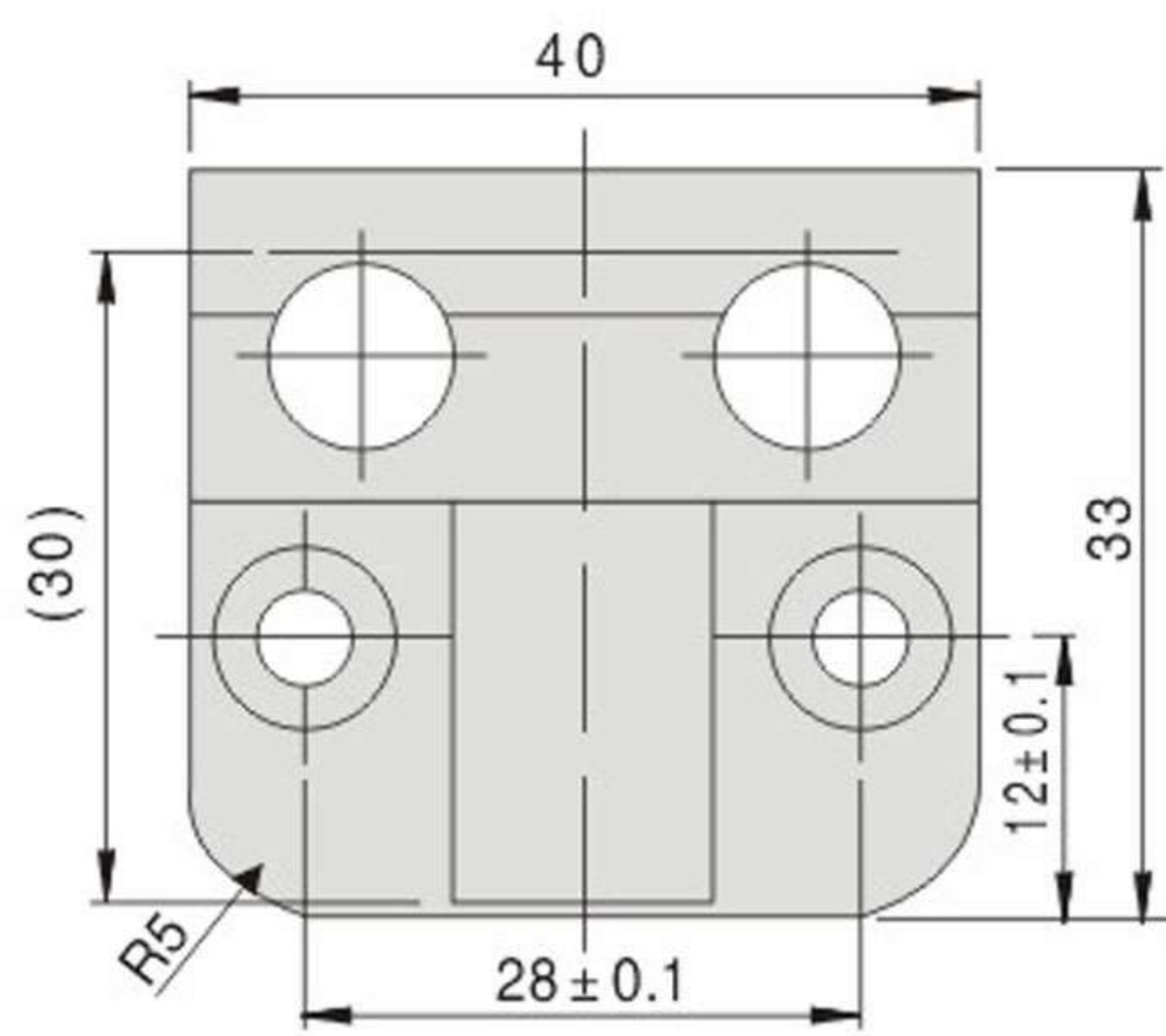
Order: RRM.651608 - QTY

Z5135 限位夾 Slide Retainer

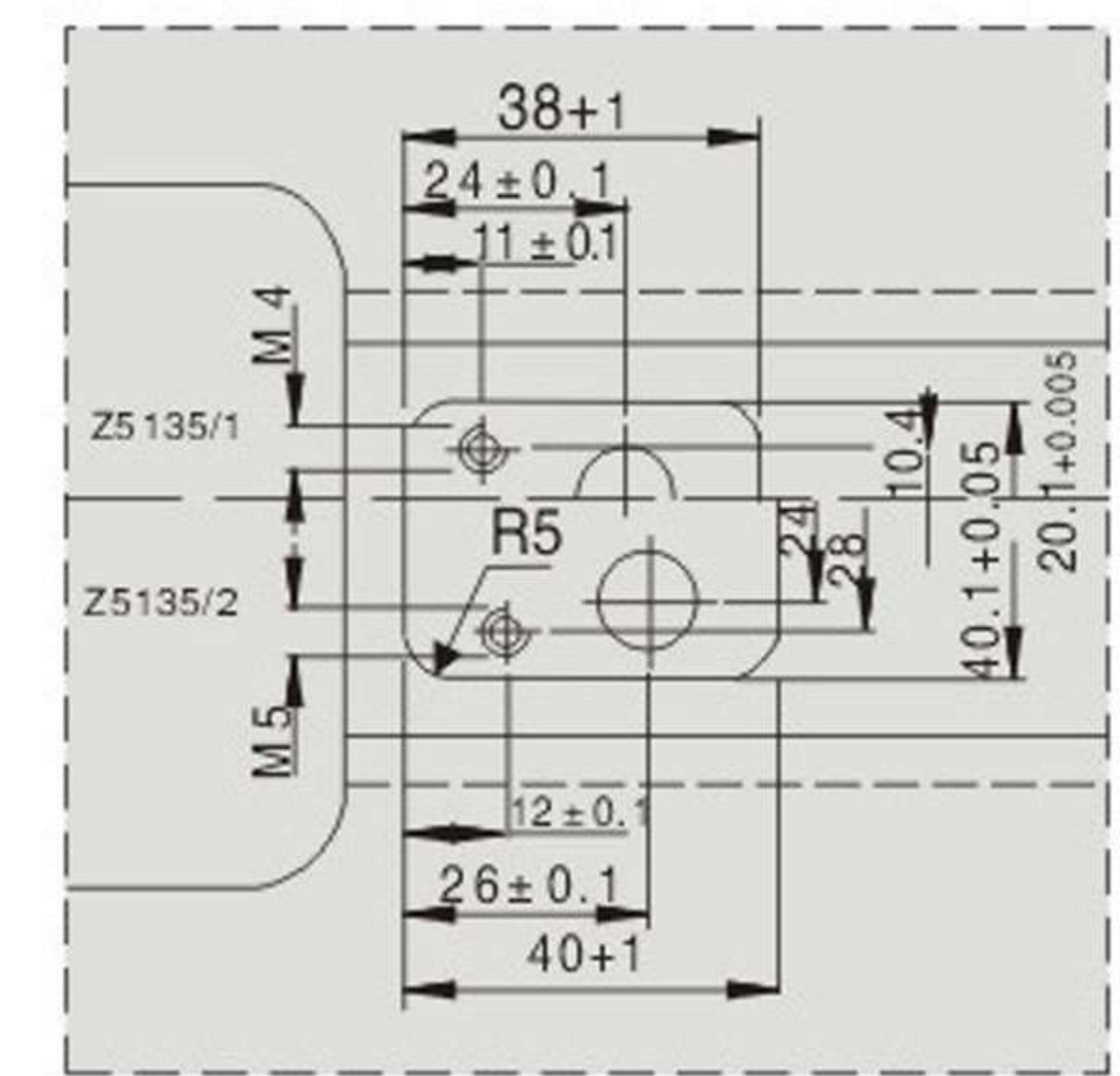
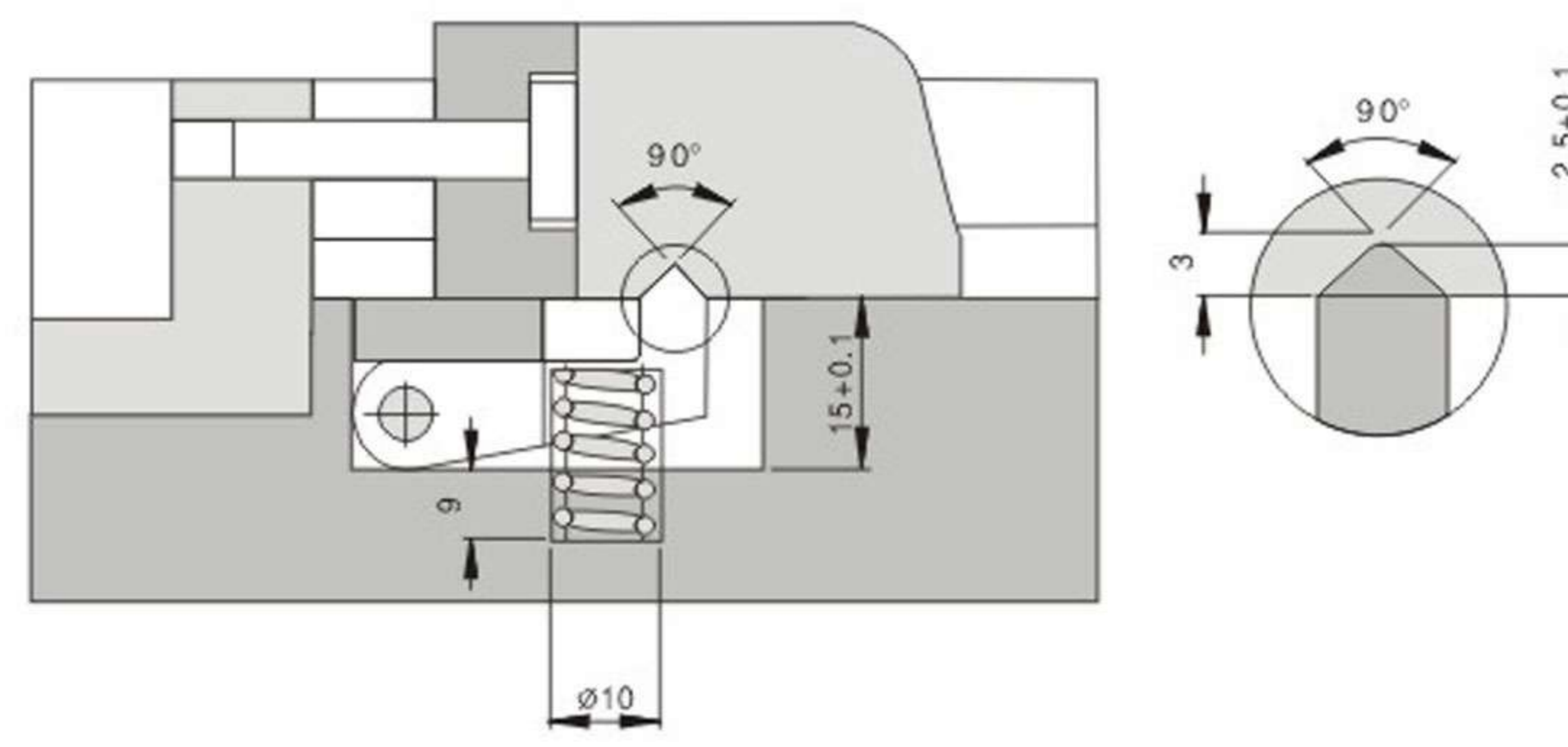


Z5135-1

M 材質 1.2162
H 硬度 HRC58° ± 2°



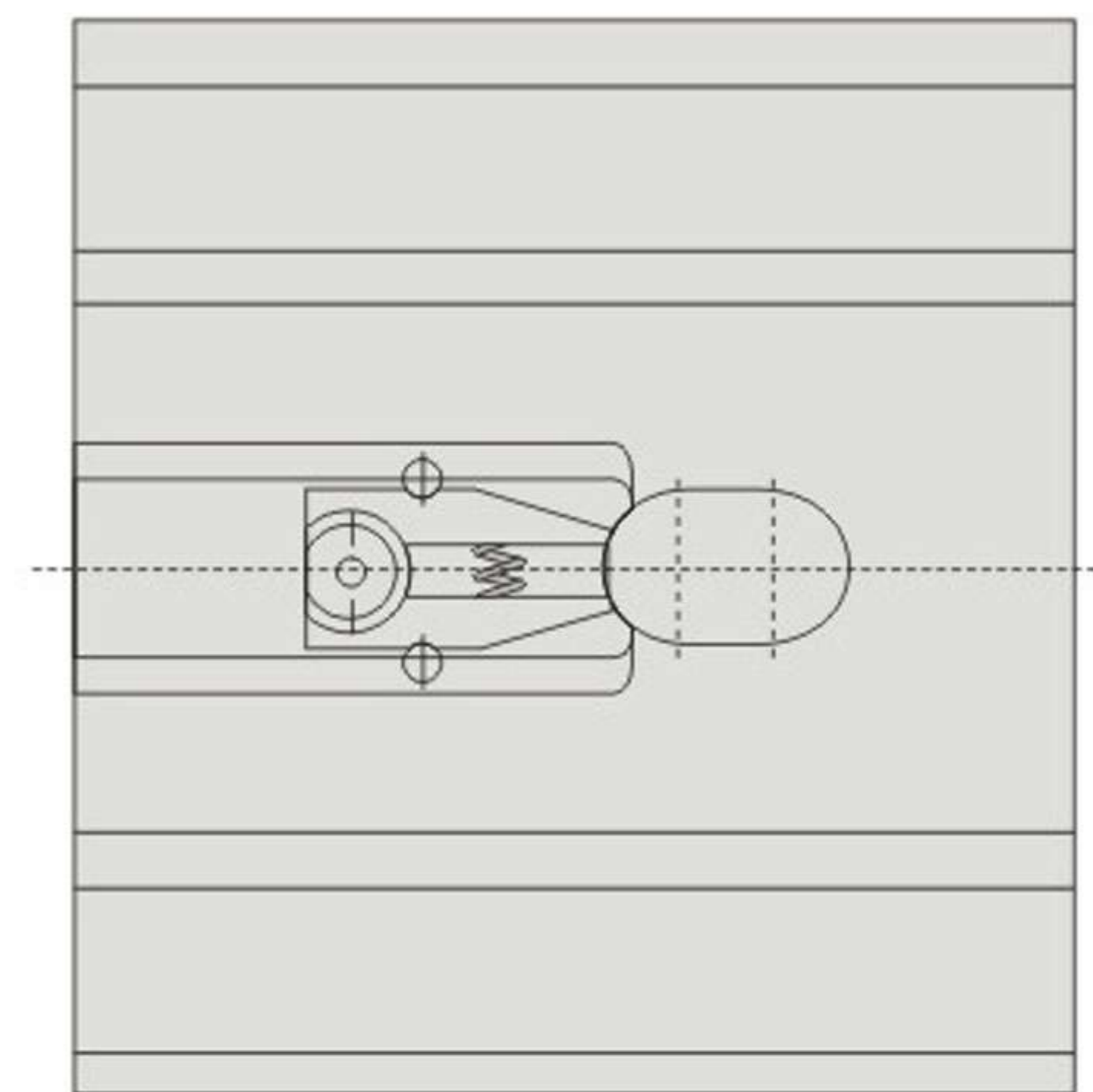
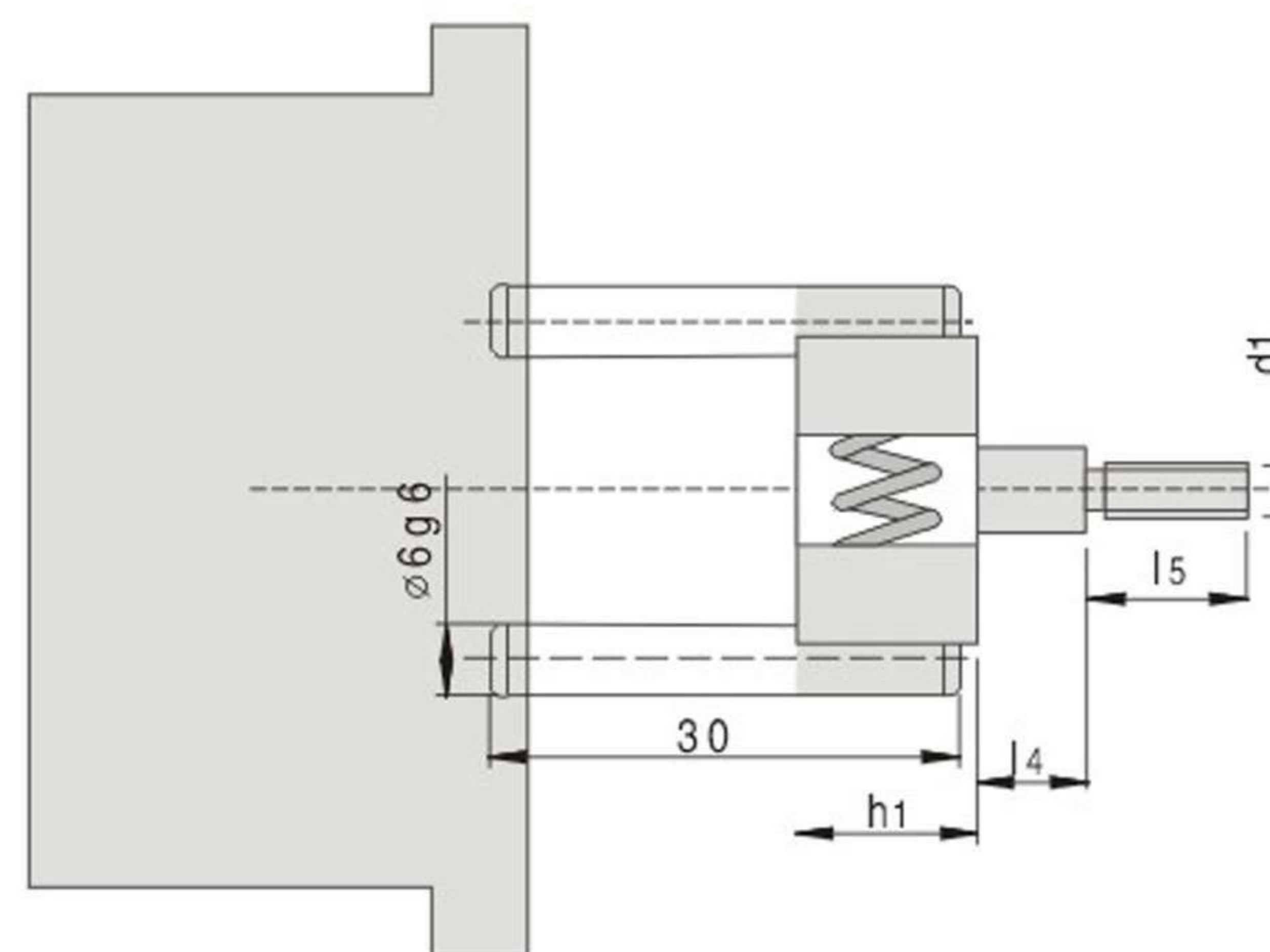
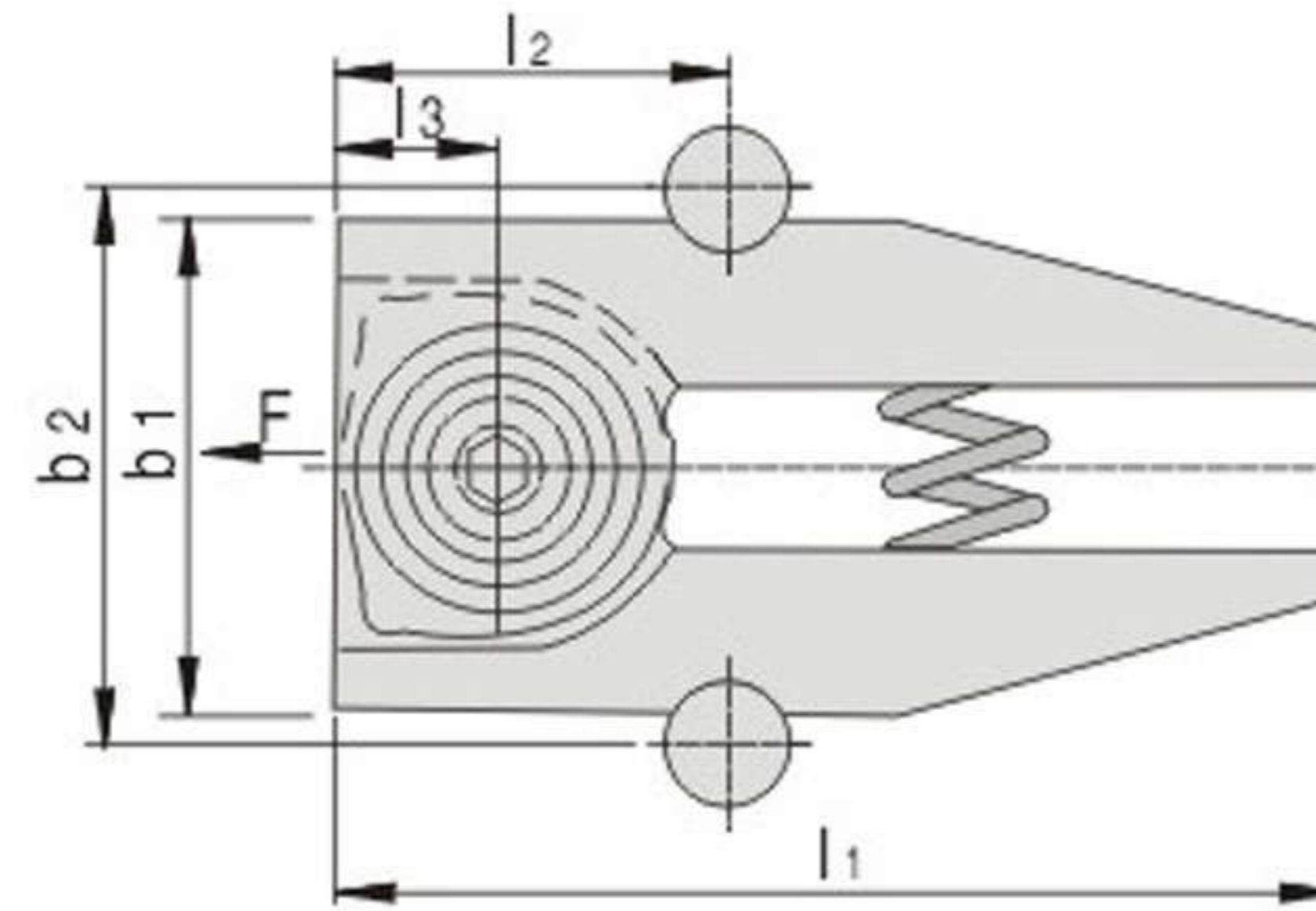
Z5135-2



Type	M螺絲 Screw	荷重 Loading weight (kgf)	单价 Unit price ¥
Z5135-1	4	2.0-4.4	○
Z5135-2	5	4.0-8.8	○

Order: Z5135-1 - Q'TY

Z189 限位夾 Slide Retainer



M 材質 1.7131
H 硬度 HRC58° ± 2°

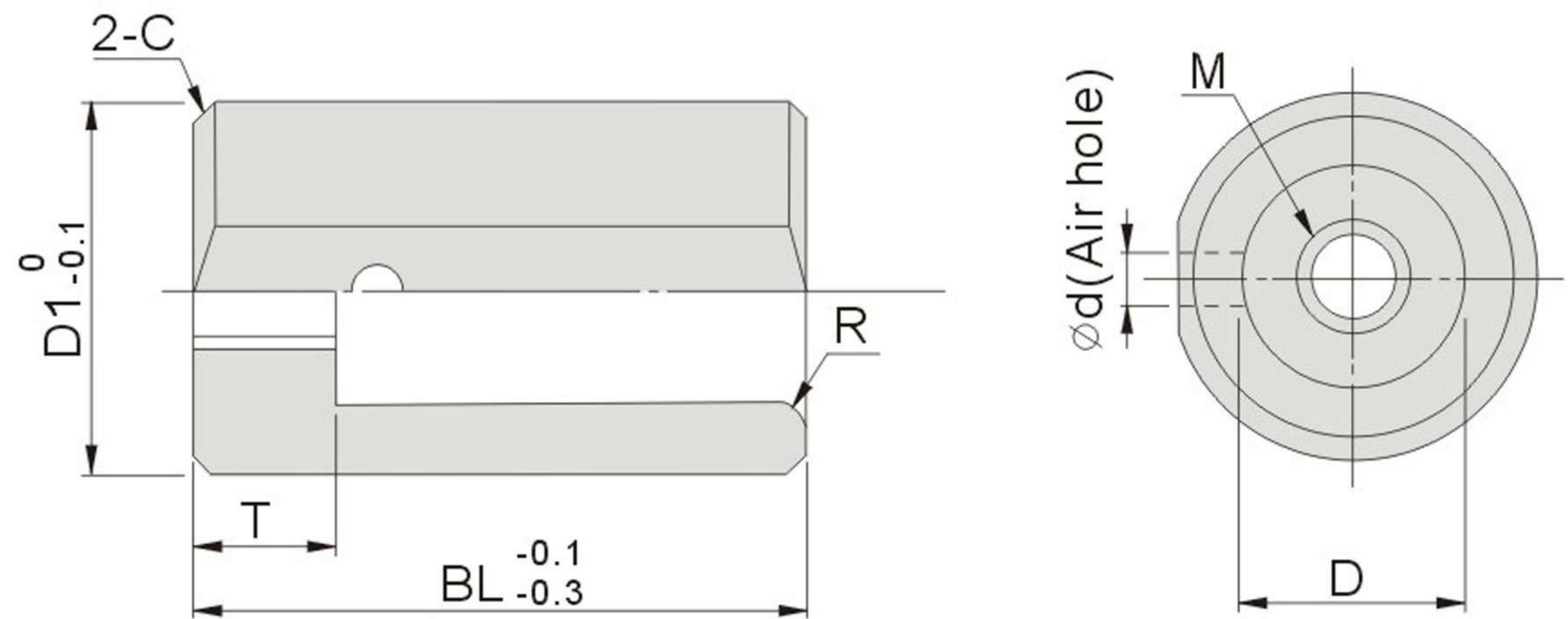
Type	尺寸 Size									荷重 F(kgf)	单价 ¥ Unit price
	h1	l1	l2	l3	l4	l5	d1	b1	b2		
Z189/10	10	40	17.5	7	5.1	9.5	M5	18	21.5	10	○
Z189/12	12	43	18	7.5	6.1	11	M6	22	25.5	15	○
Z189/16	16	50	20.5	9.5	3.1			28	31.5	25	○

Order: Z189/10 - Q'TY

鎖模組件系列 Mode Locking Component Series

POBS

樹脂開閉器襯套 Parting Locks Bushings



材質 S45C

Type	D	D1	BL	t	R	d	C	M
POBS	10	16	26	6	2	2.3	0.8	6
	13	20	30	8	2.5	2.8	1.0	8
	16	25	37	10	3	3	1.0	10
	20	30	42	10	3	3	1.0	10

Features

By using POBS, polishing and R-chamfering of the hole at GPLA installation can be omitted.

Enables tightening/loosening of the POBS parting lock's tapered bolt by using an Allen wrench (hexagonal wrench) through its bottom tap hole, making installation adjustment and maintenance easier than ever.

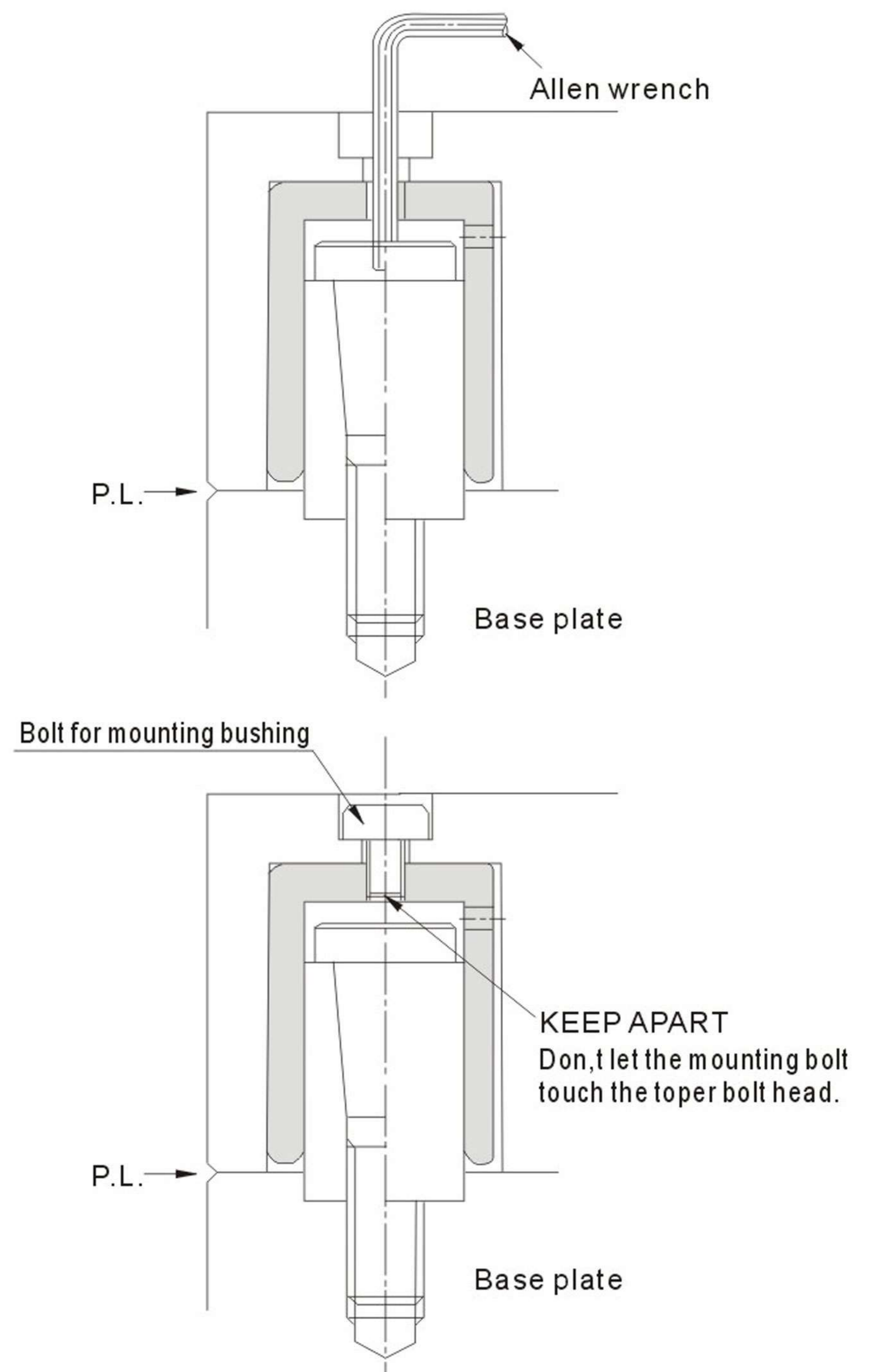
How to Mount

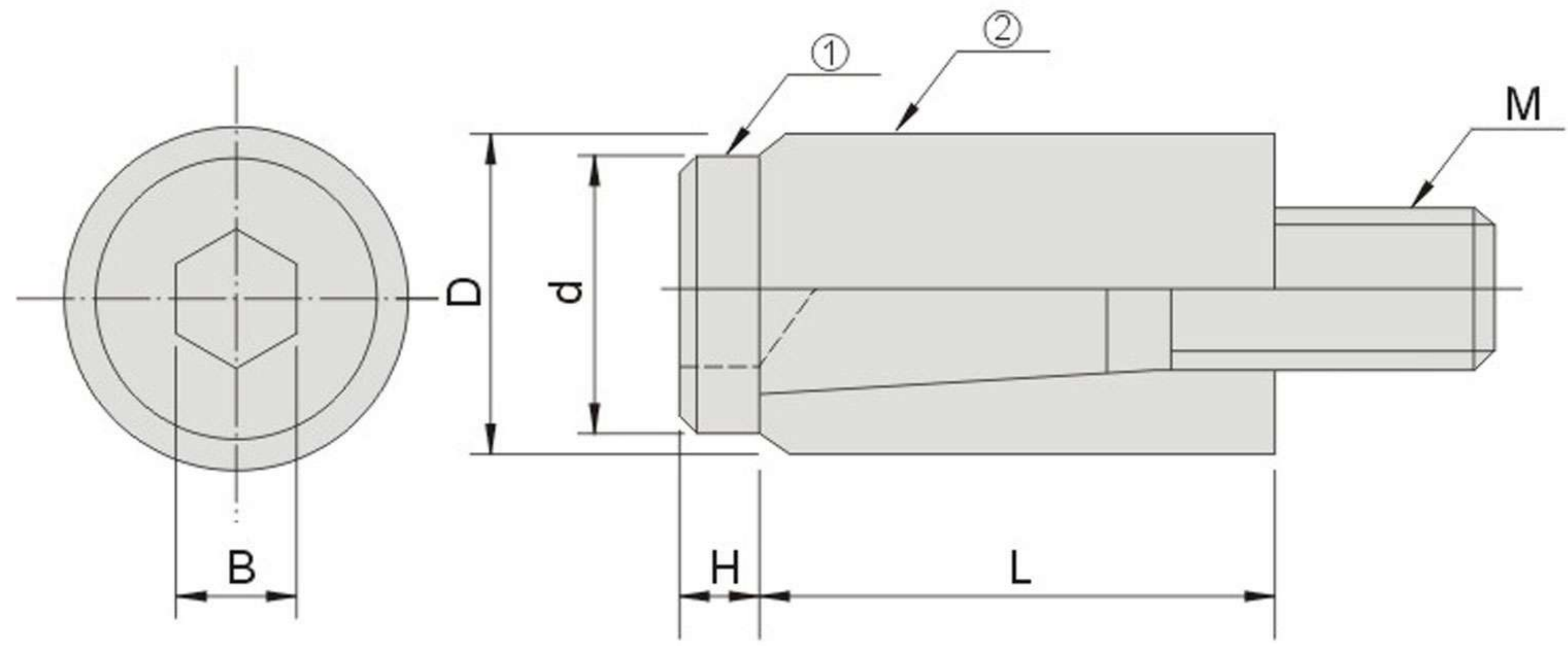
When creating and finishing a hole for this bushing, aim at $D1^{+0.1}_{+0.05}$ tolerance for its diameter. (The depth of hole is a level of $BL^{+0.5}_{+0.1}$)

Recommended finishing on the bushing's diameter (D1) is end milling.

Note

Please use a bushing mounting bolt with a length which does not reach bolt during mold closing. Contact of each bolt could cause breakage. Tapered bolt might be damaged by the contact of the bushing mounting bolt. Be especially careful because even slight contact damages the hole of tapered bolt for hexagonal wrench, and the removal becomes impossible.





材質 ①SCM435
②樹脂

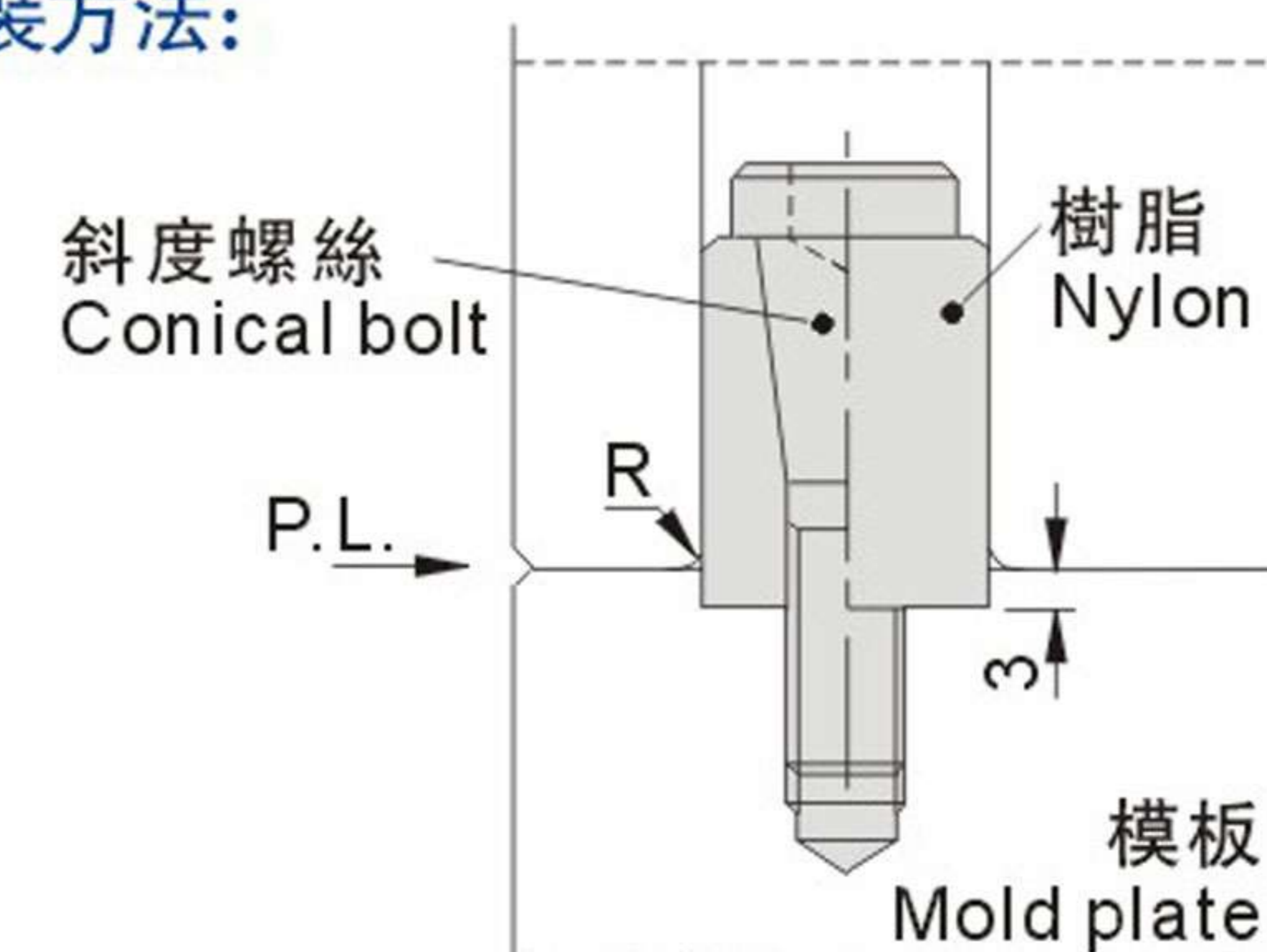
《樹脂開閉器》特性說明:

1. 由斜度螺絲調整模板與樹脂間之摩擦力，約轉1/4圈可合閉模具約5萬次。
2. 模具裝置取卸容易、簡單，價格低。
3. 此裝置也可用在小水口板與打中板或二段頂出小水口或滑座之工件上。
4. 模具重量100Kg以下用 \varnothing 12-4個，500Kg以下用 \varnothing 16-4個，1000Kg以下用 \varnothing 20-4個，若超過1000Kg以上，則增加為6個以上。
5. 白、黃、橘、色耐熱 120°C 。深藍色耐熱 210°C 。

安裝方法:

1. 樹脂埋入公模板約3公分，母模之孔以H7之鉸刀加工至 $+0.1\text{mm}$ 範圍內內面加工至 $\nabla\nabla\nabla\nabla\sim\nabla\nabla\nabla\nabla$
2. 母模面請加工成R狀。如做C面之倒角，耐久性較差。
3. 請勿在樹脂上加油，因為加油會使摩擦力減低。

安裝方法:



Features:

1. Use sloping screw to adjust mold plate and parting locks, then turn 90 degrees. Parting locks can be closed up to 50,000 times.
2. Easy to assemble and disassemble, and cost efficient.
3. Can also be installed into small, medium size, and 2-sectional injecting metal pipes, or can be installed on sliding bases.
4. Mold weight < 100kg, using 4 pcs of 12 \varnothing
Mold weight < 500kg, using 4 pcs of 16 \varnothing
Mold weight < 1,000kg, using 4 pcs of 20 \varnothing
Mold weight > 1,000kg, using at least 6 pcs.
5. Colour: White. Yellow. Orange. heat resistant 120°C , Blue heat resistant 210°C .

Installation:

1. Insert Parting Locks into die mold about 3cm, then using H7 reamer to process mold hole within $+0.1\text{mm}$ range.
2. Process mold surface to the shape of letter R. If processing to the chamfering of letter C, it will shorten its life cycle.
3. Do not add any oil on parting locks, doing so will reduce the friction.

公制: mm

Type	D	d	H	L	M	B	COLOR				單價 U'price
							白 White	黃 Yellow	橘 Orange	藍 Blue	
GPLA	10	8.5	3	18	M5	4	—	✓	✓	—	○
	12	11	3.5	20	M6	5	✓	✓	✓	✓	○
	13	11	3.5	20	M6	5	✓	✓	✓	✓	○
	16	14	4	25	M8	6	✓	✓	✓	✓	○
	20	18	4	30	M10	6	✓	✓	✓	✓	○
	20	14	4	25	M8	6	✓	—	—	—	○
	25	16	5	30	M10	6	✓	—	—	—	○



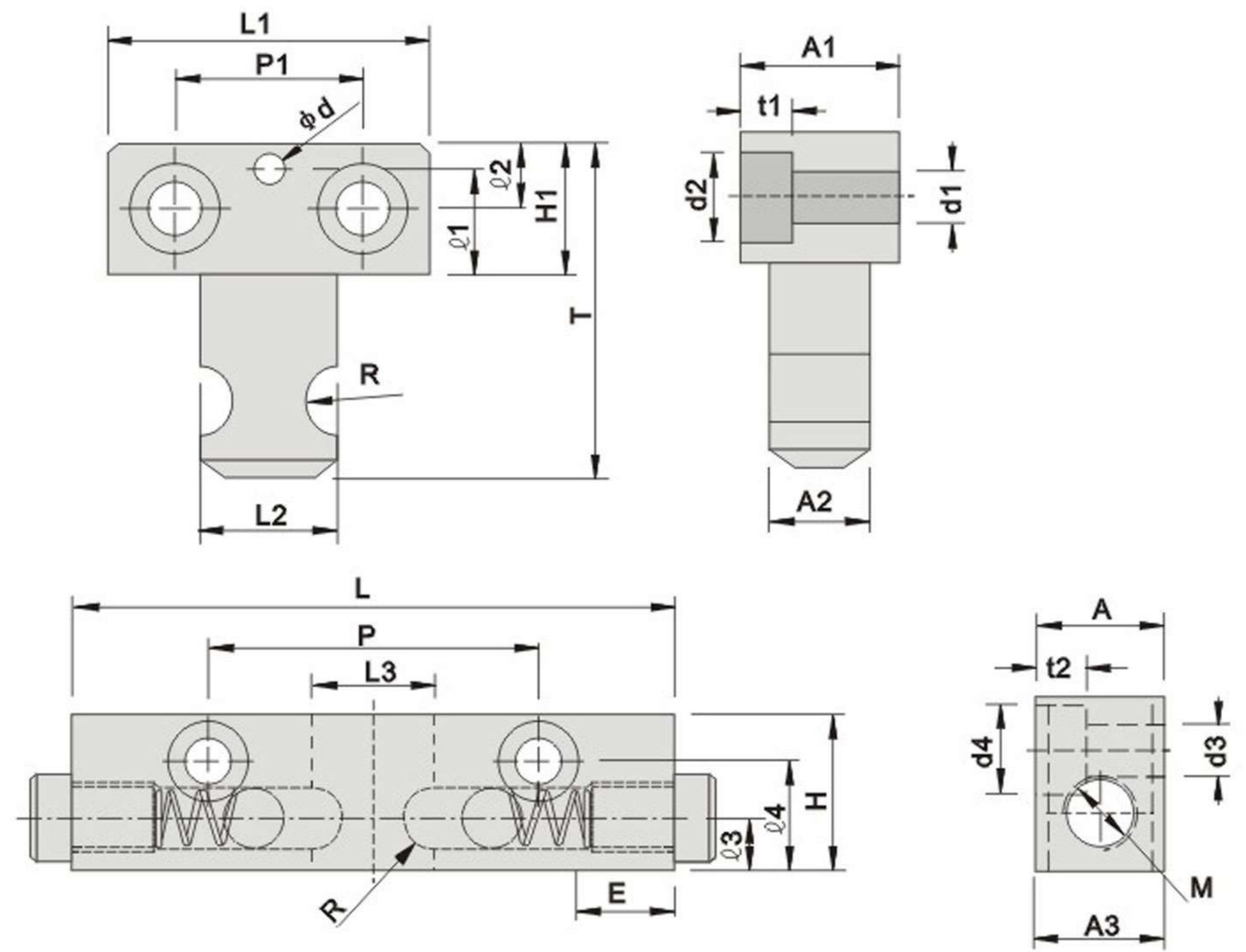
Order: GPLA - D - Q'TY

鎖模組件系列 Mode Locking Component Series

GRL

鎖模扣 Latch Lock

表面处理, 黄色烤漆。
Surface treatment: Yellow paint drying



表面處理 黄色烤漆

材質 S50C

Type	最大使用負載 (2套常溫狀態) 參考值	尺寸 Size													
		L ₁	P ₁	l ₁	l ₂	T	H ₁	L ₂	t ₁	A ₁	d	d ₂	d ₁	A ₂	R
GRLB	2942N {300kg}	40	25	14	12	48	20	17.5	6.5	20.5	5	11	6.5	12	R4.25
GRLA	4902N {500kg}	60	35	20	12.5	62.5	25	25.5	10	30	6	16.5	10.5	19.5	R6.5

Type	最大使用負載 (2套常溫狀態) 參考值	尺寸 Size												
		L	P	L ₃	l ₃	l ₄	H	E	t ₂	A	d ₄	d ₃	A ₃	M
GRLB	2942N {300kg}	88	60	18	10	21	28	20	6.5	20.5	11	6.5	12.5	M12x1.75
GRLA	4902N {500kg}	127.5	70	26	11	23	33	21	10	30	16.5	10.5	20	M14x2.0

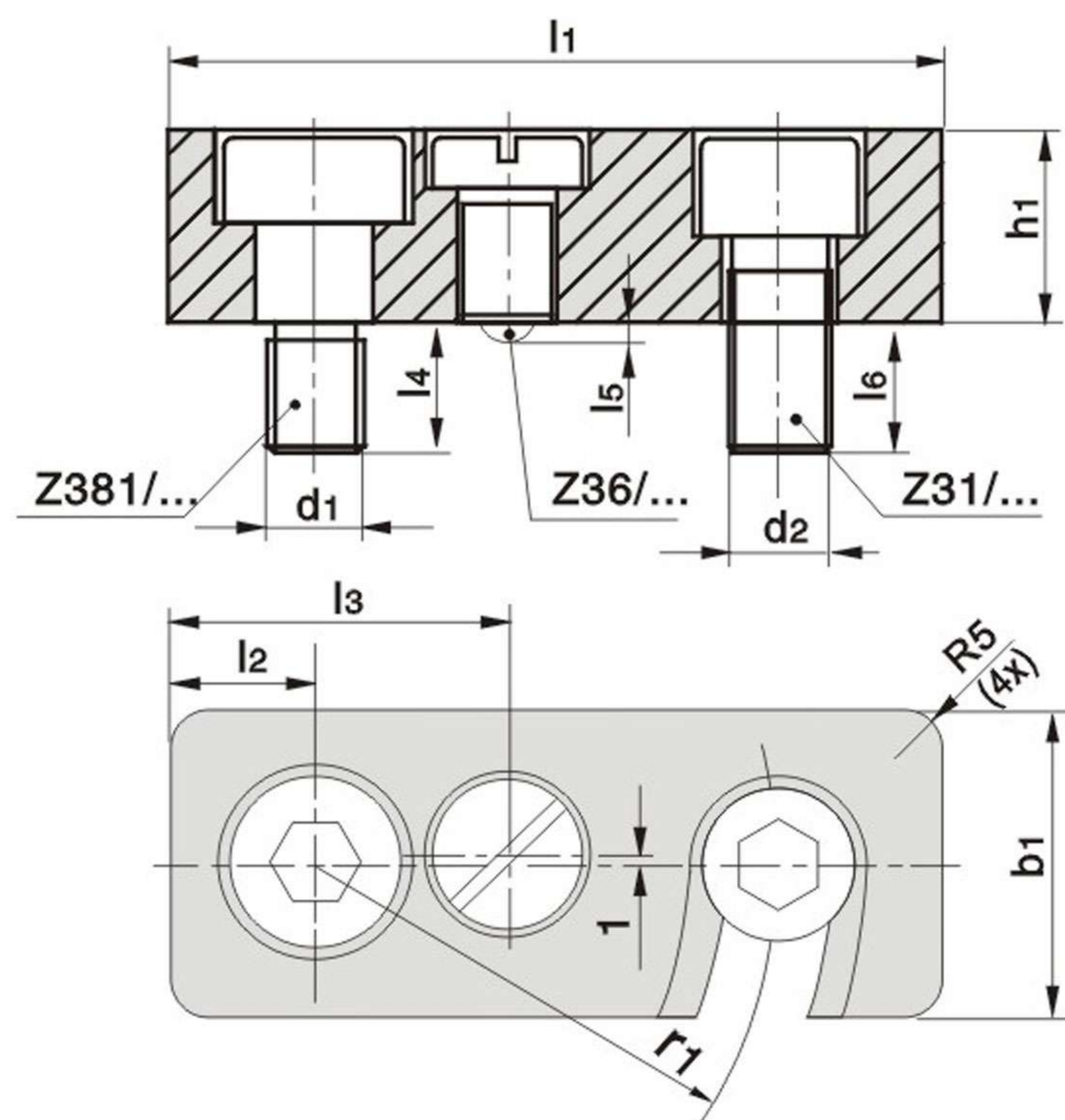
限位夾系列



Order: GRLA - Q'TY

Z73

鎖模扣 Latch Lock



Nr./No.	Z381/...	Z31/...	Z36/...	d ₁	d ₂	r ₁	l ₂	l ₃	l ₄	l ₅	l ₆	h ₁	b ₁	l ₁
Z73/ 12x20x50	Z381/ 6x6	Z31/ 6x14	Z36/ 5x12	M6	M6	30	10	24	9	0.9	8	12	20	50
16x25x63	8x10	8x18	8x16	M8	M8	38	13	30	11	1.5	11	16	25	63
20x32x80	10x12	10x22	10x20	M10	M10	48	15	35	13	2	13	20	32	80



Order: Z73/ 12x20x50 - Q'TY

MPLK 卡輪式鎖模扣 Latch Lock



材質 SK3(套)+S50C(座)

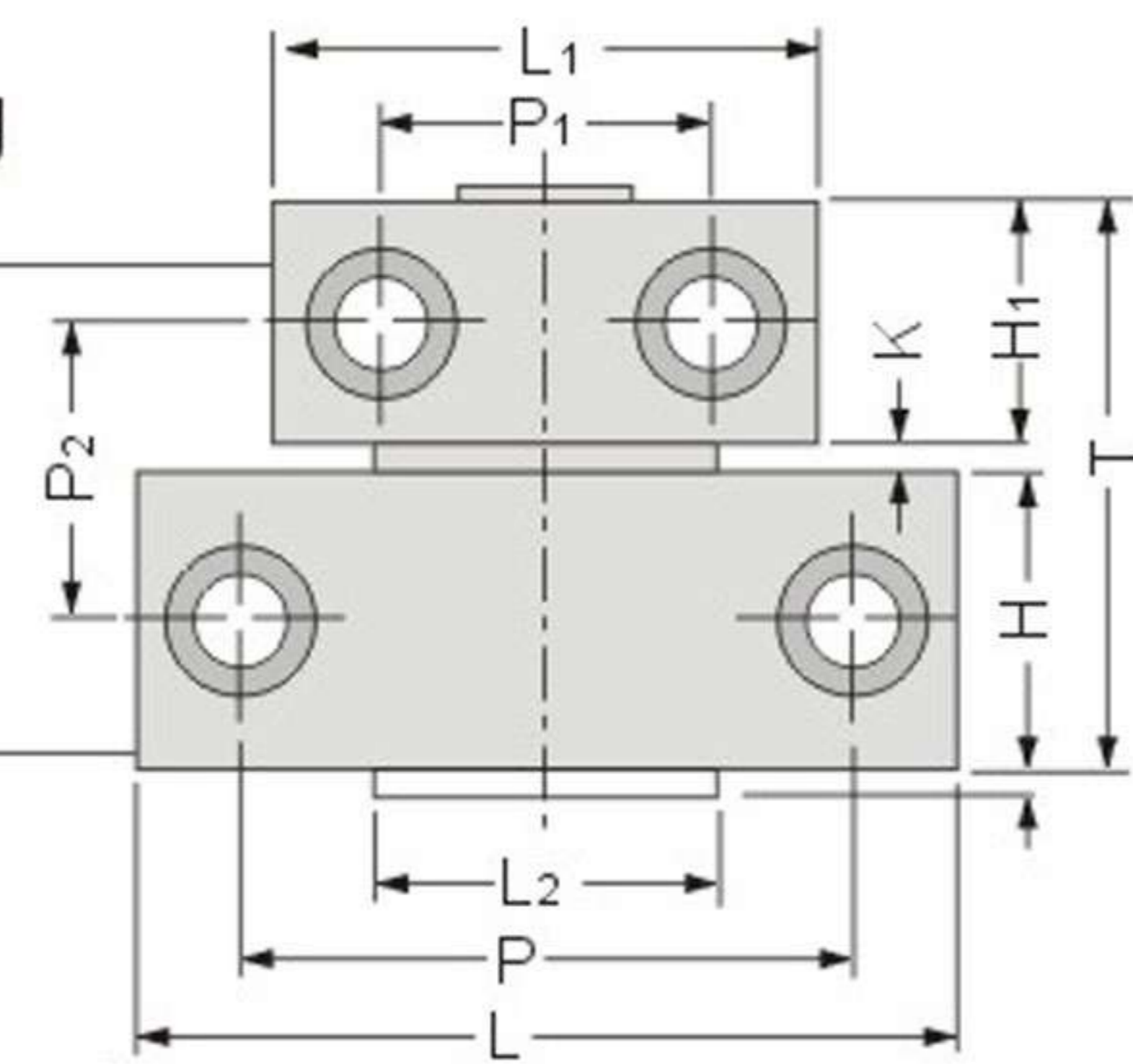
碟形彈簧，內部滾輪以及卡輪的組合，能使模具的開合具有良好的平衡性。滾輪的旋轉能較好的防止偏心磨損的發生。鎖緊套為上下對稱式，所以若有磨損也可倒置安裝以再次使用。因為鎖緊座的背面有避空位，所以模板上有臺階時也可以使用。

Disc spring, and a combination of internal roller cardwheel, can make the opening and closing of the mould has good balance. Wheel rotation can better prevent eccentric wear occurs. The locking sleeve is symmetric, so if the wear can also be installed to use again. Because the back of the locking seat is avoiding vacancy, can also use so the template has the steps.

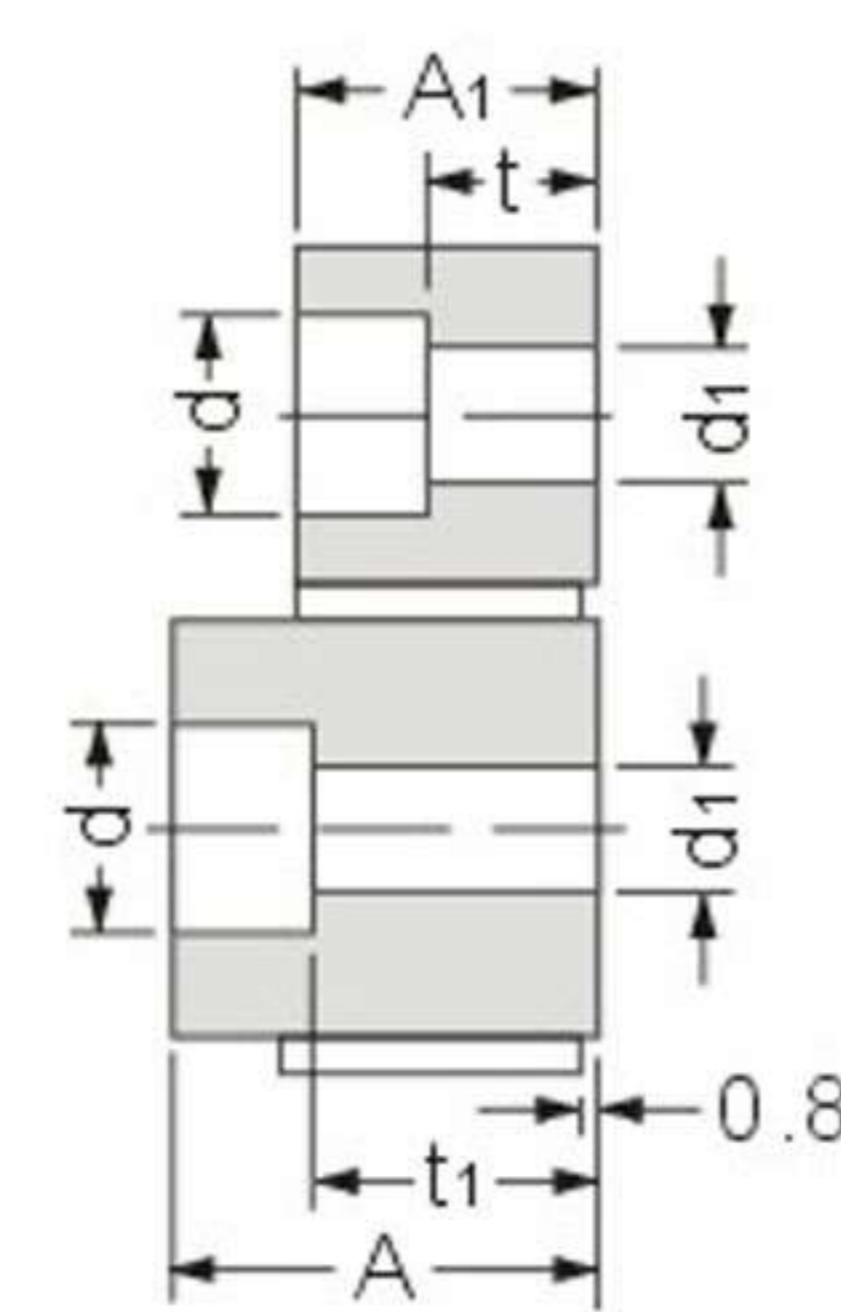
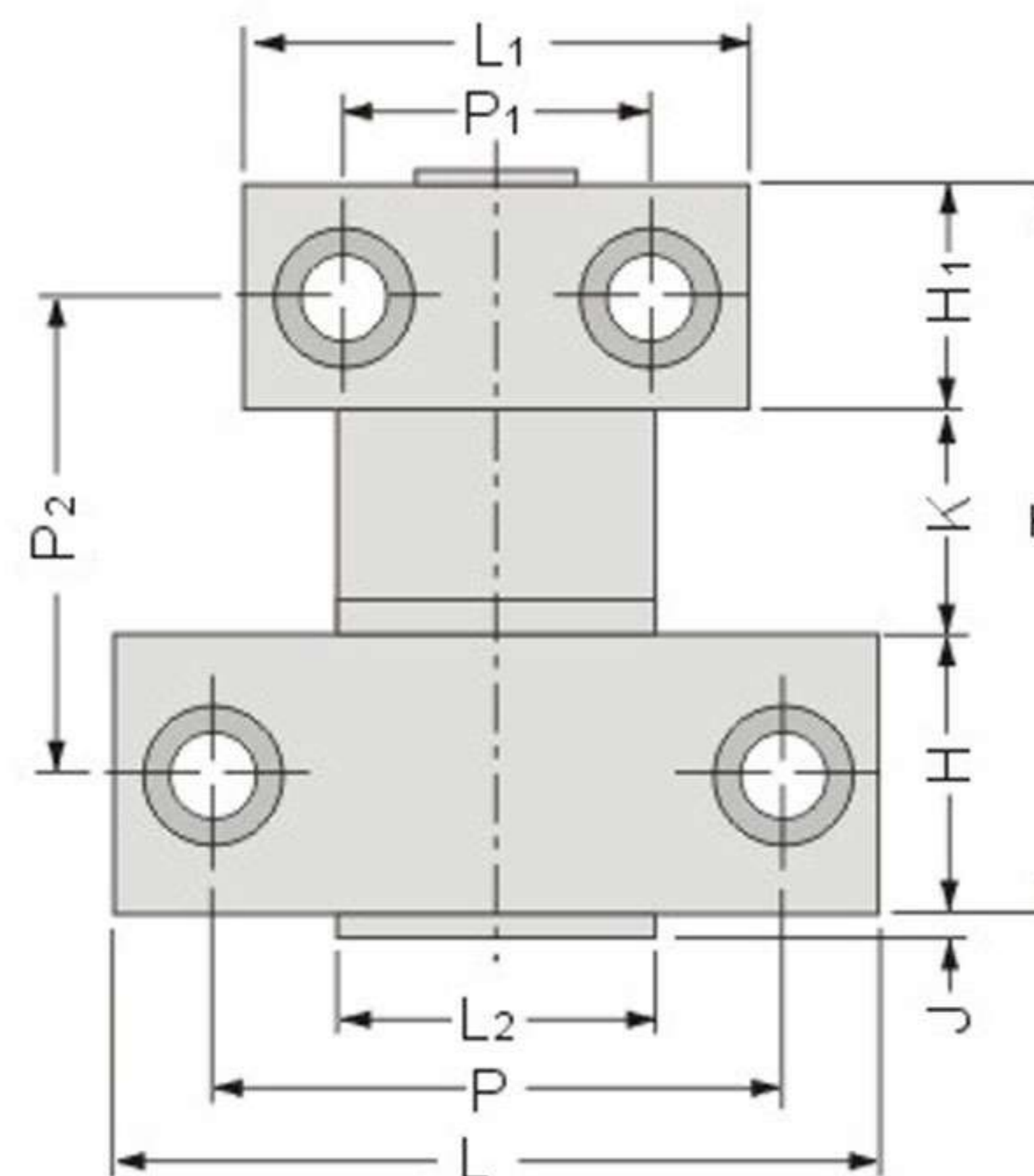
MPLK (標準型鎖緊套)
Normal Bushing

鎖緊座
Lock Holder

鎖緊套
Bushing

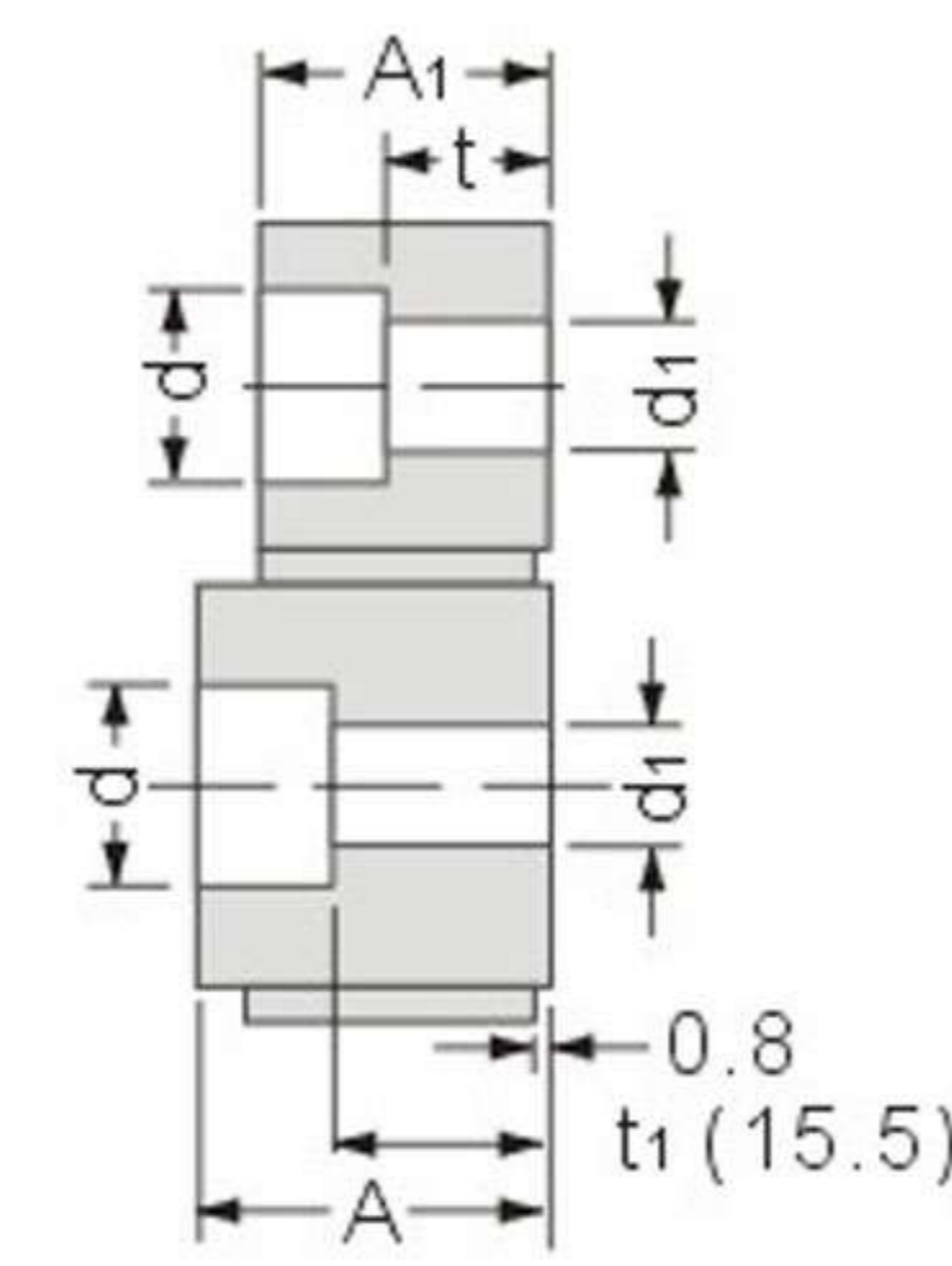


MPLKS (緊貼型鎖緊套)
Slim Bushing



MPLK

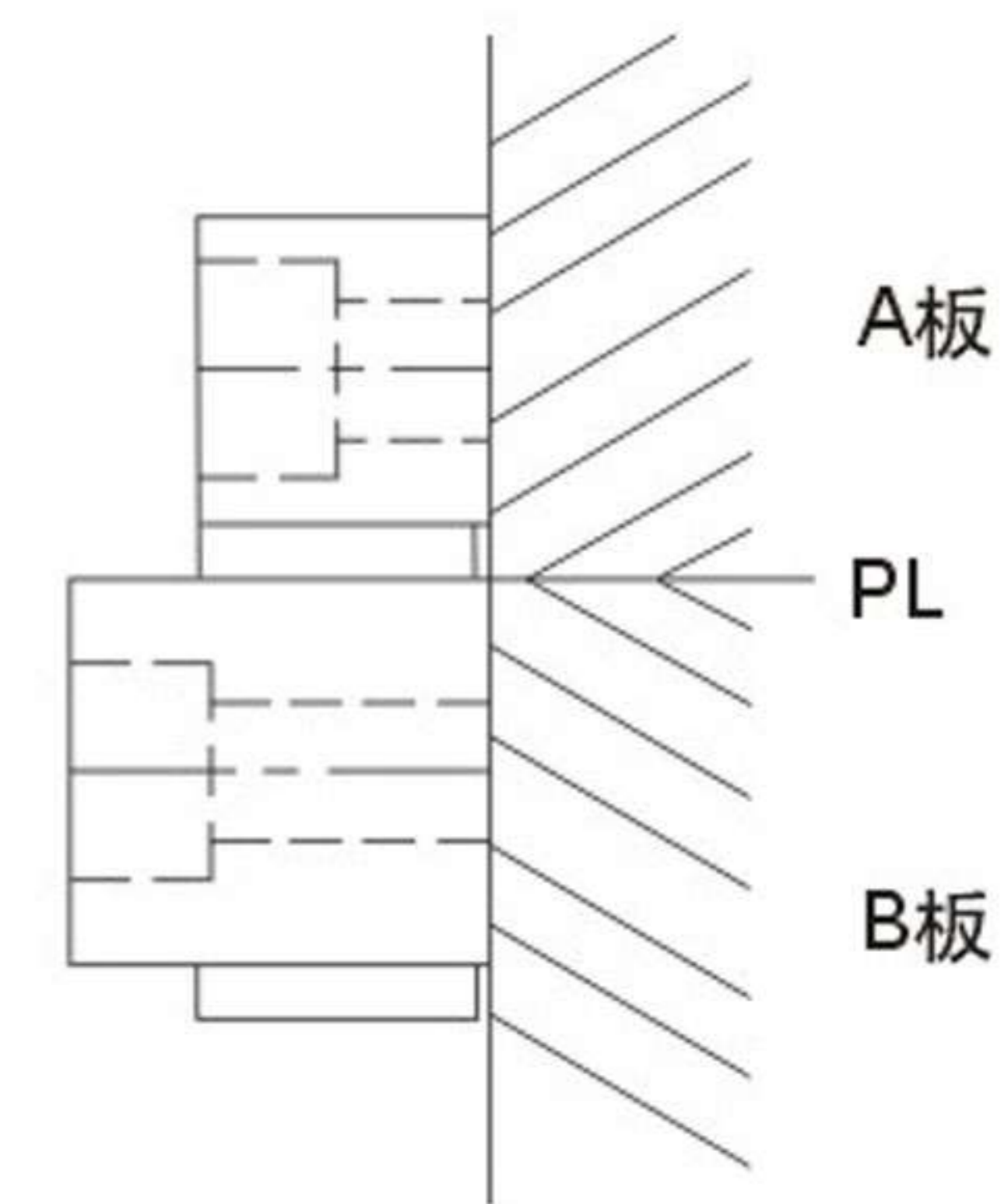
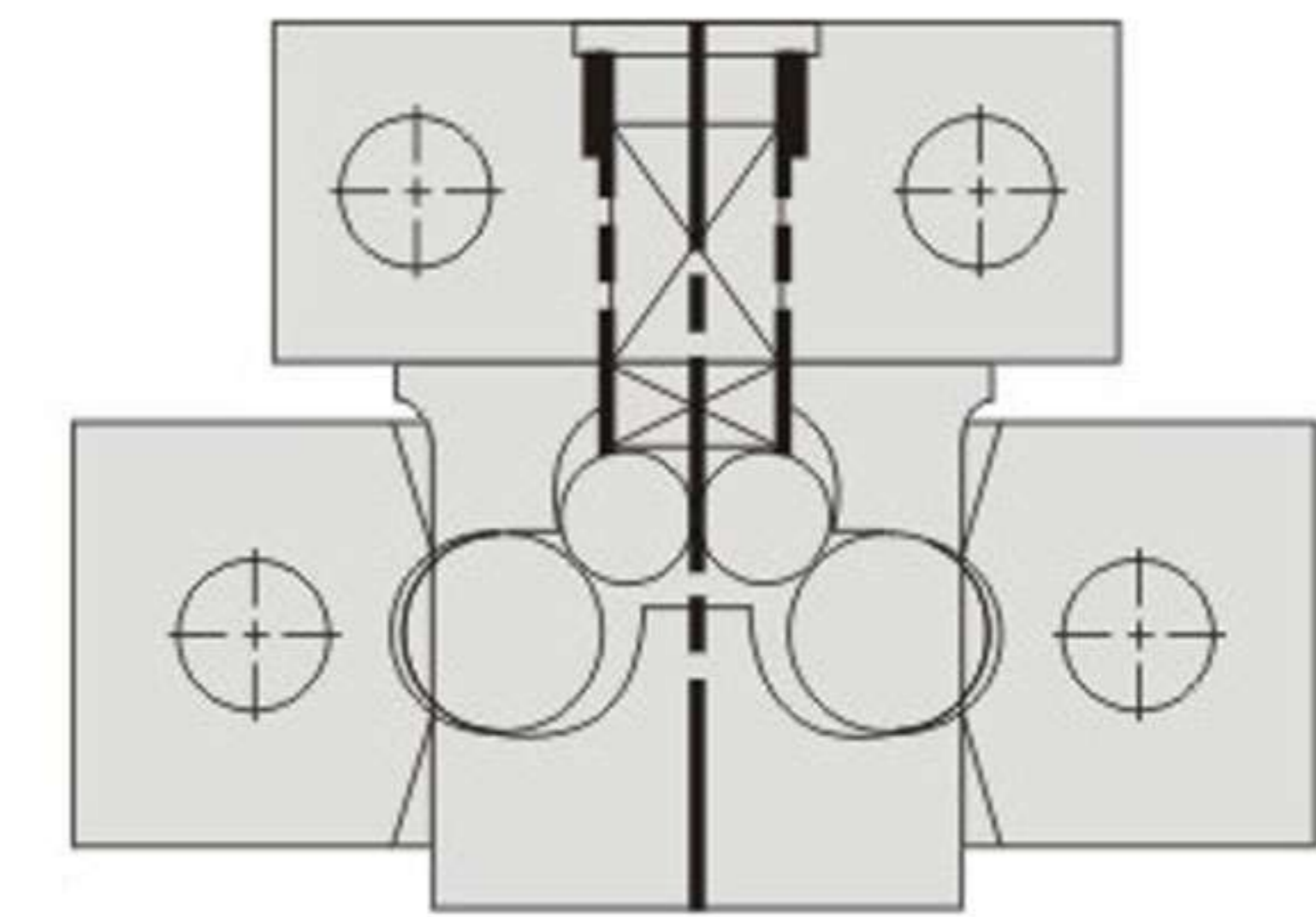
MPLK80



MPLKS

MPLKS80

● 安裝示意圖
Installation diagram



標準型Standard type:

Type	尺寸 Size																	拉力 (kgf) 1套 (常溫狀態)	單價 ¥ Unit price	
	L	L1	L2	T	H	H1	J	K	P	P1	P2	A	A1	t	t1	d	d1			
MPLK (標準型鎖緊套) Normal Bushing	10	48	36	25	42	22	18	2	2	36	24	22	24	16	9.5	18	11	6.5	100	○
	20	54	42							40	28								200	○
	30	65	46	35	48.5	25	20	3.5	3.5	50	31	26	27	19	9.5	17	14	9	300	○
	60	73	50							52	33								34	600
	80S									56.5	11.5	34	800	○						
	100	103	65							48	58	30	24	4	4	76	42	31	34	25
MPLKS (緊貼型鎖緊套) Slim Bushing	30	65	46	35	48.5	25	20	3.5	3.5	50	31	26	24	19	9.5	15.5	11	7	300	○
	60	73	50							52	33								34	600
	80S									56.5	11.5	34	800	○						

加長型Longer Type:

Type	尺寸 Size																	拉力 (kgf) 1套 (常溫狀態)	單價 ¥ Unit price	
	L	L1	L2	T	H	H1	J	K	P	P1	P2	A	A1	t	t1	d	d1			
MPLK (標準型鎖緊套) Normal Bushing	60L	73	50	35	79.5	25	20	3.5	34.5	52	33	57	27	19	9.5	17	14	9	600	○
	80				87.5				42.5			65							800	
	100L	103	65	48	89	30	24	4	35	76	42	62	34	25	13	19	17	11	1000	
MPLKS (緊貼型鎖緊套) Slim Bushing	80	73	50	35	87.5	25	20	3.5	42.5	52	33	65	24	19	9.5	15.5	14	9	800	○

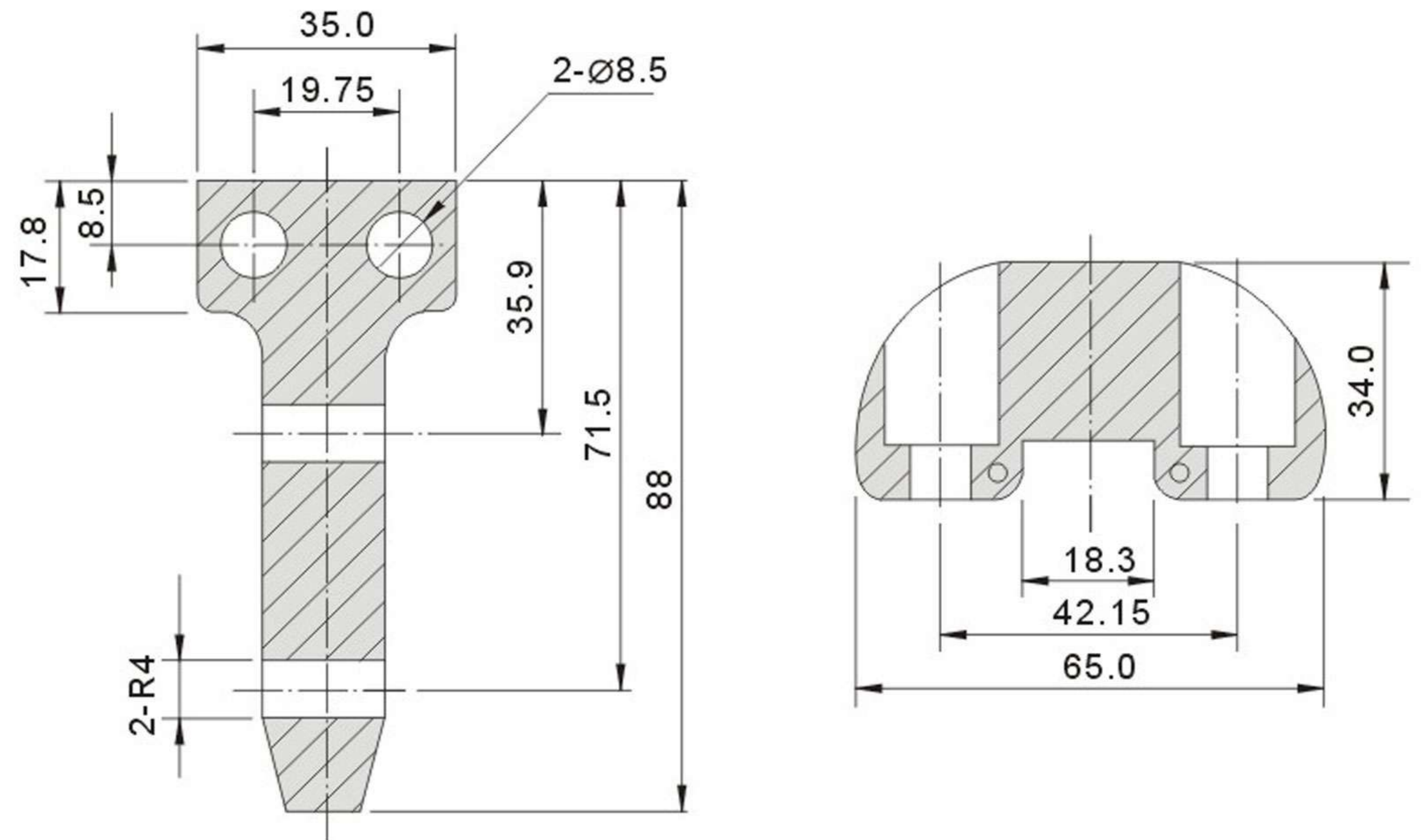
Order: MPLK - Q'TY

鎖模組件系列 Mode Locking Component Series

GSLA

開閉器半圓型 / 開閉器SL型 Slide Locks

GSLA 半圓型

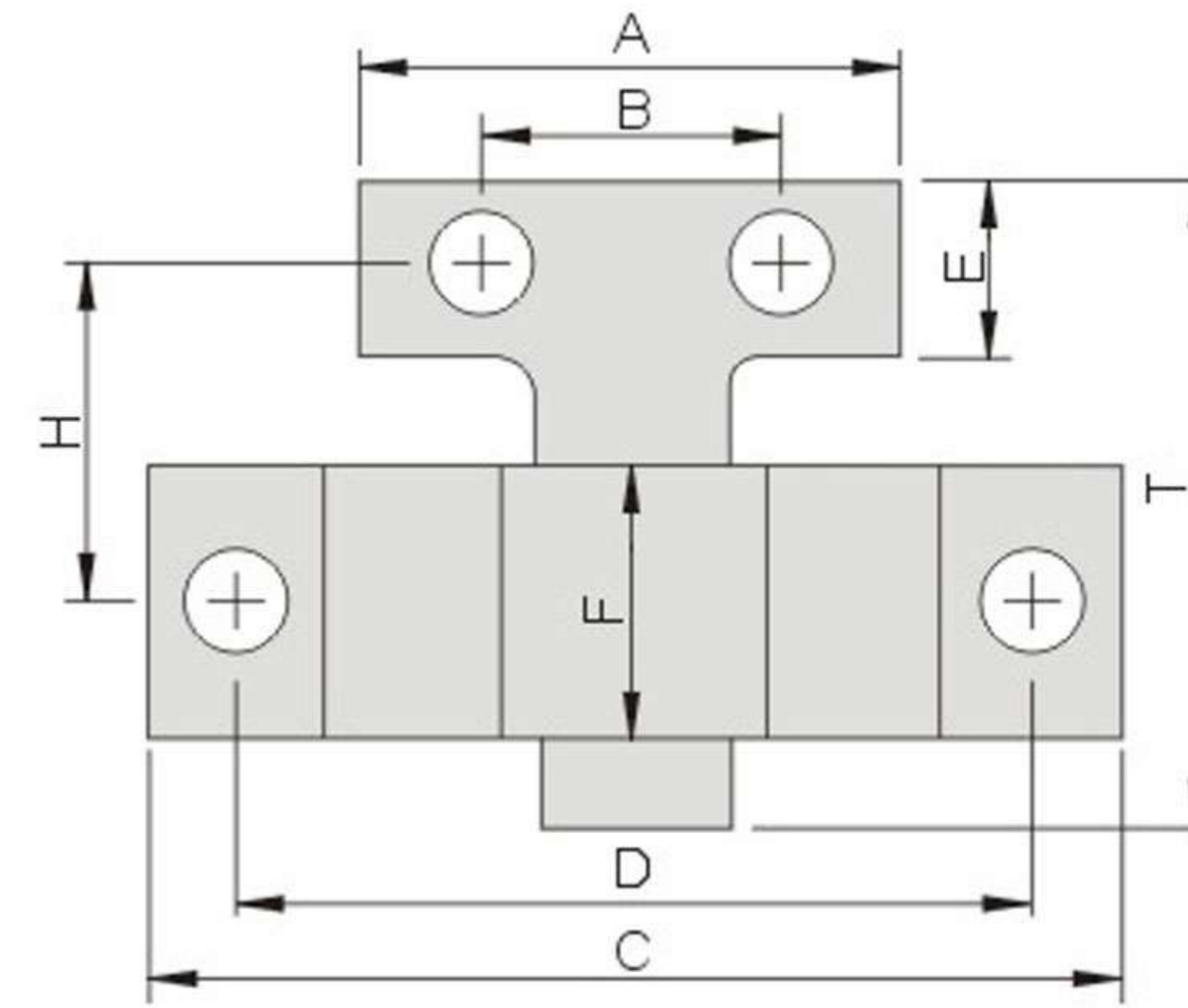


材質 白鐵SUS404

硬度 HRC50°~52°

Order: **GSLA** - Q'TY 單價U'price: **375HKD**

GSL型



材質 SCM21

硬度 HRC55°~60°

裝置之功能及優點:

1. 利用簡單之構造，可使模具完全打開與密合，且裝置簡單互換性高。
2. 本裝置最適合三模板之針點射出，有拉斷料頭與脫模一次完全之功能。
3. 本裝置有四種型：GSL-2型適合5盎司以下之模具，GSL-3型適合中型模具，GSL-4型適合大型模具。
4. 本裝置採用高級合金鋼熱處理後研磨而成，採用進口彈簧，品質可靠。

Functions & Advantages:

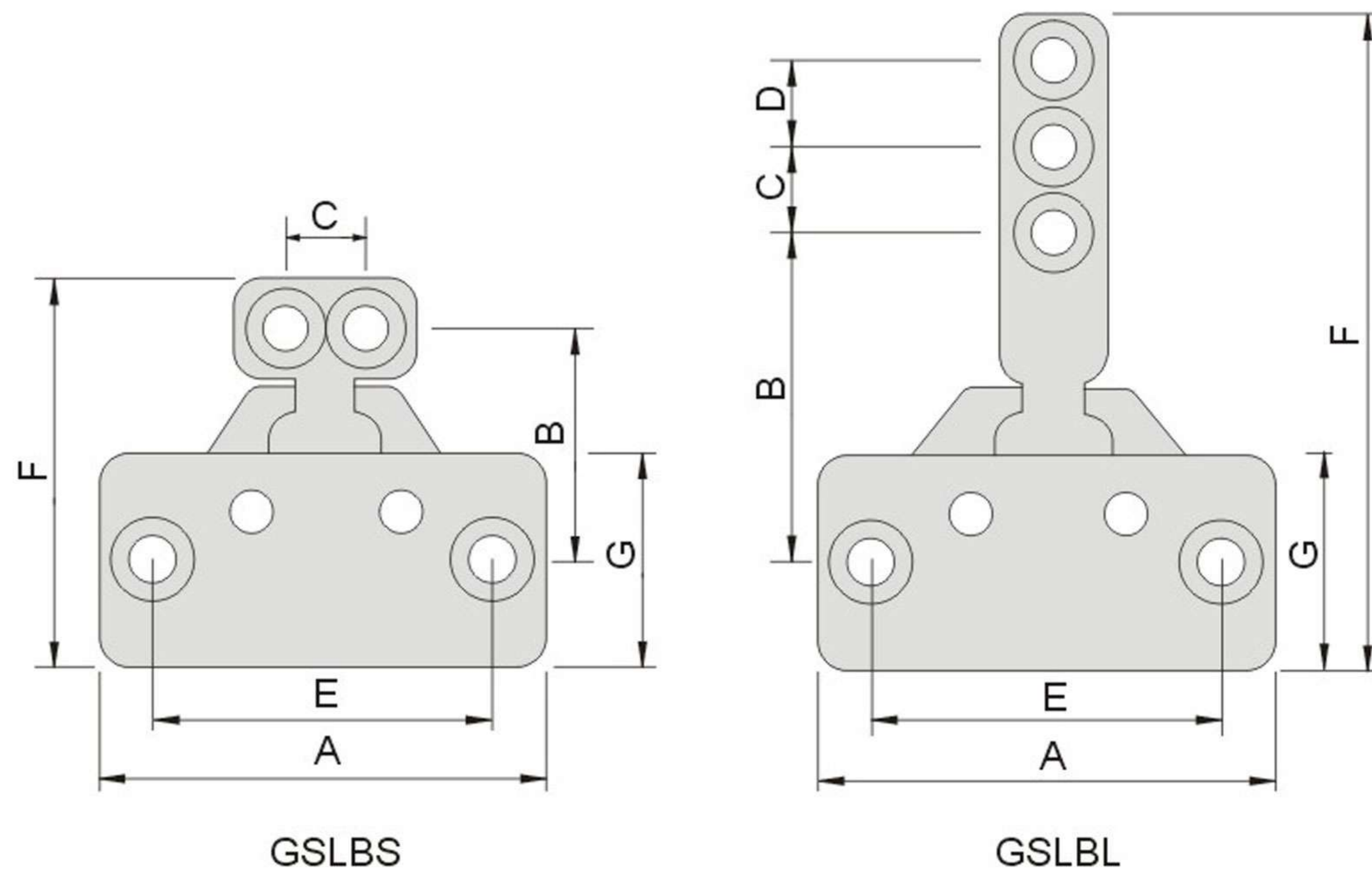
1. Based on its simple and easy design, the slide lock makes molds open and close completely, and it also makes installation and interchanging easily
2. Excellent for 3-pcs mold plates for its precision injection (for example: needle-point injection). It will cut off the excessive materials and leave the mold at the time of finishing.
3. 4 different styles to choose from:
 - GSL-2: good for molds less than 5 oz
 - GSL-3: good for medium size molds
 - GSL-4: good for large size molds
4. It is well-known for its exceptional quality. It was made by imported springs, heat-treated and grinded alloy steels.

公制: mm

Type No.	A	B	C	D	E	F	H	T	孔	拉模力 kg	單價 U'price
GSL2S	40	26	72	60	20	20	23	49	M8	150	○
GSL2L		22					66	96			○
GSL3S	50	30	113	90	22	30	38	73	M10	250	○
GSL3L							79	114			○
GSL4S	50	30	113	90	22	30	38	73	M12	350	○
GSL4L					25						103

Order: **GSL4S** - Q'TY

GSLB 開閉器B型 Slide Lock B Type



M 材質 SK-2
H 硬度 HRC58°-60°

Price:(HKD)

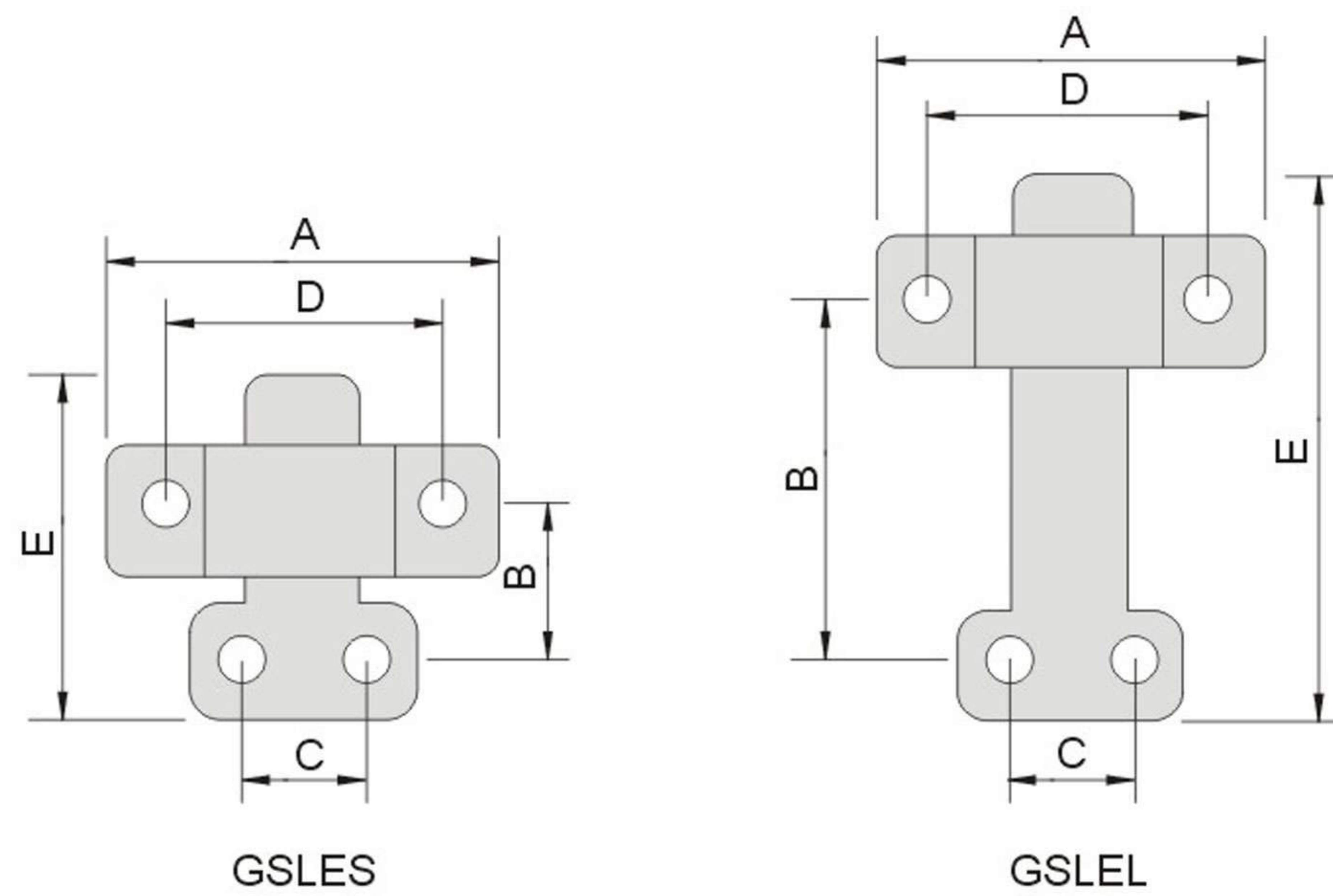
公制: mm

Type No.	A	B	C	D	E	F	G	拉力	SHCS	單價 U'price
GSLBS	78	40	15	-	60	68	38	500kg	5/16"	○
GSLBL	78	58	15	15	60	116	38	500kg	5/16"	○

Order: **GSLBS** - Q'TY

限位夾系列

GSLE 開閉器E型 Slide Lock E Type



M 材質 SK-2
H 硬度 HRC58°-60°

公制: mm

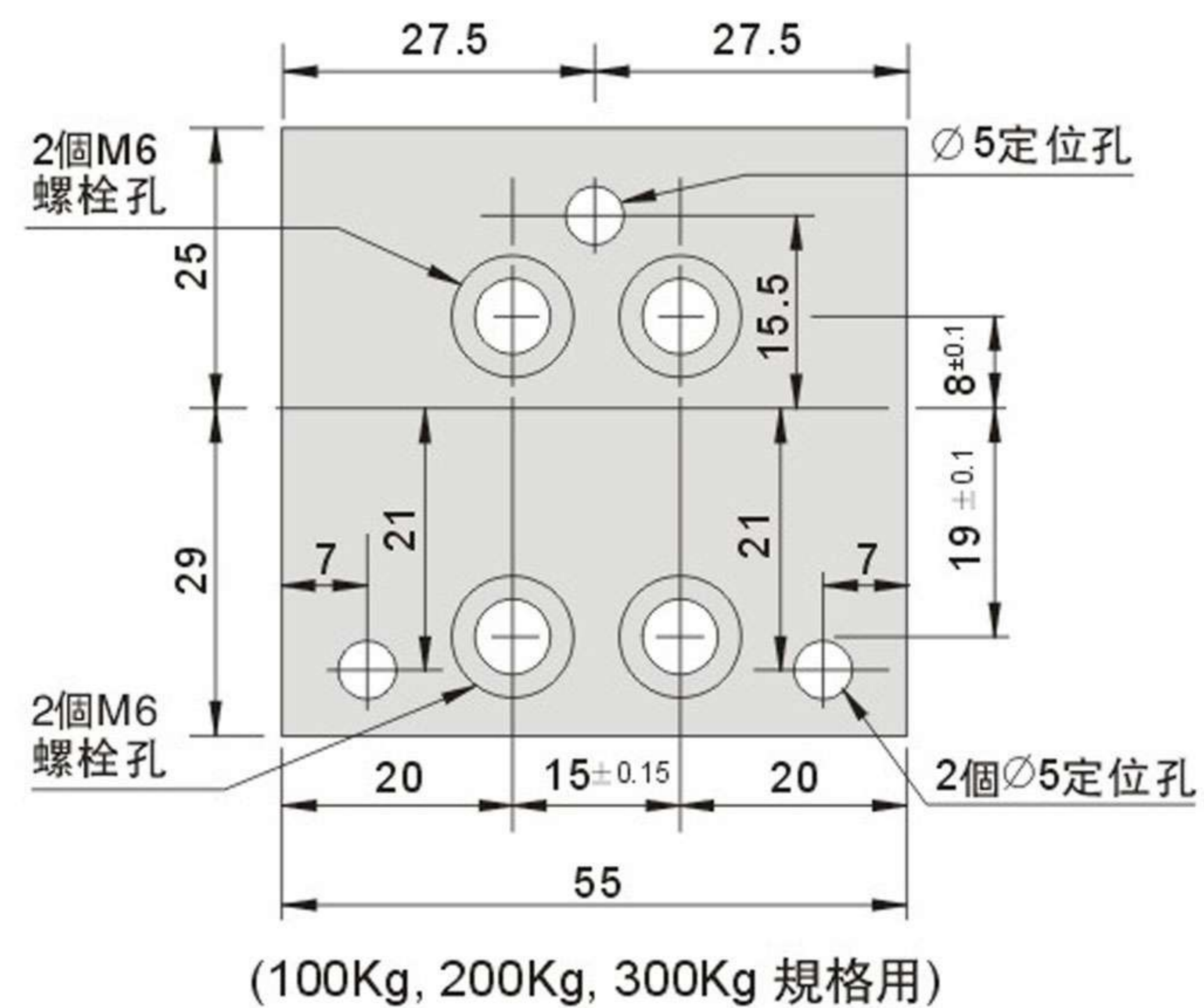
Type No.	A	B	C	D	E	拉力	SHCS	單價 U'price
GSLES	62	28	20	45	54	400kg	5/16"	○
GSLEL	62	62	20	45	88	400kg	5/16"	○

Order: **GSLES** - Q'TY

鎖模組件系列 Mode Locking Component Series

GBLS

開閉器 (扣模器) Slide Lock (Gbls Type)



材質 SCM21

可自行更換彈片改良彈力，方便耐用

扣模器之功能及使用說明:

1. 本裝置適合於三模板之針點射出模，有拉斷料頭與脫模一次完成之功能。(二色成型之最適)
2. 本產品採用精密鑄造而成，精度高，拉勾採用高級合金鋼經熱處理研磨而成，勾力特強，兩側採用之耐熱彈簧片，彈性佳，耐熱力強，有數十萬次之開模能力。
3. 本裝置作用力向外側，故不傷模具，裝置時兩邊對稱、固定銷孔用5mm之鉸刀鉸過後；再以固定銷固定之，以增加固定性。
4. 本裝置尺寸有一型，但扣模力分為三種，如下：
GBLS-100拉模力100kg
GBLS-200拉模力200kg
GBLS-300拉模力300kg
大型模具使用時可一次安裝2組以上之扣模器

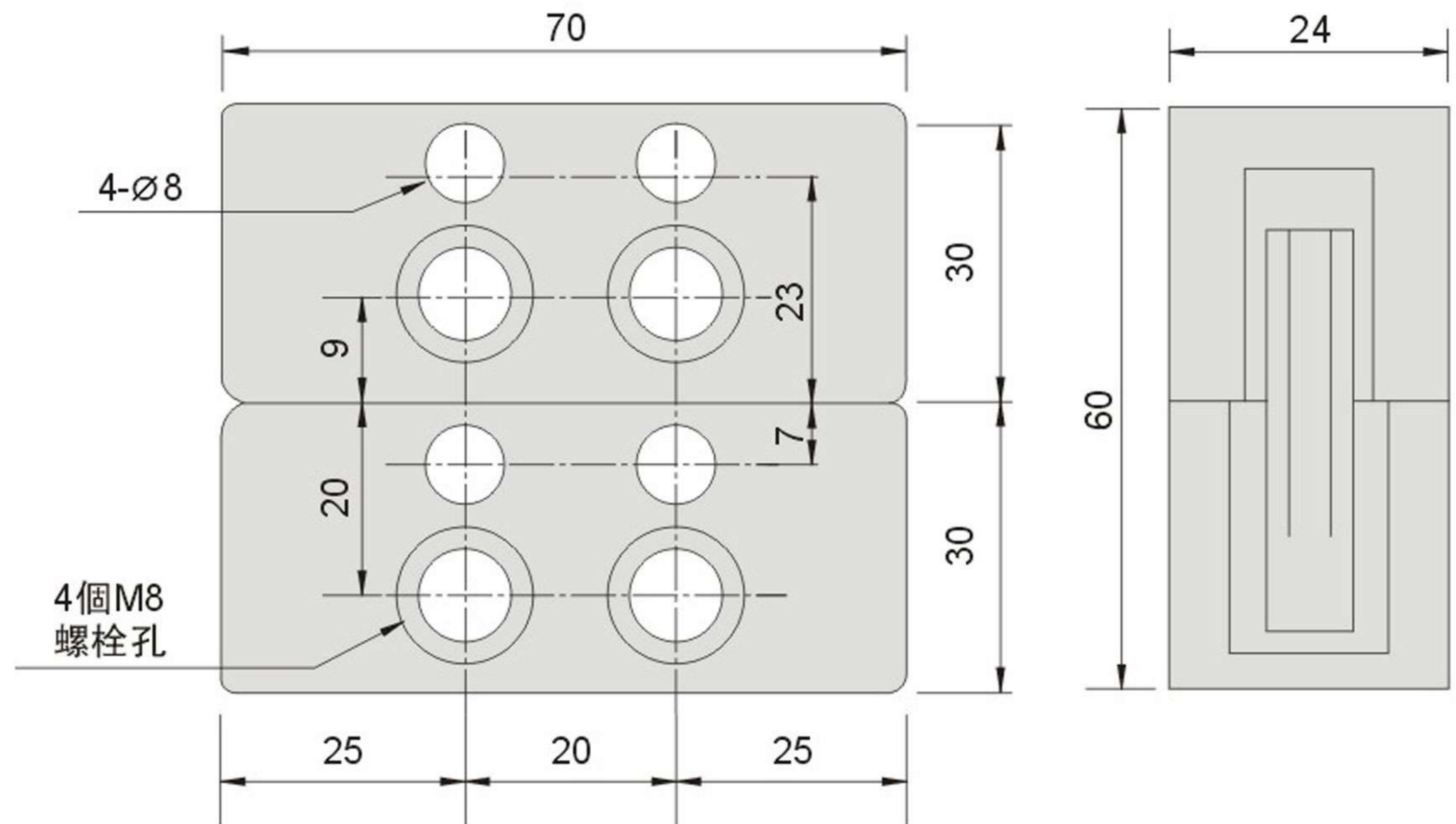
Functions & Instructions:

1. Excellent for 3-pcs mold plates for its precision injection (for example: needle-point injection). It will cut off the excessive materials and leave the mold at the time of finishing. (especially good for double-color injection)
2. Slide Lock was made by precision casting methods.
Hanger was made by heat-treated and grinded alloy steel that provides very strong hanging power. Using heat-resistant springs on the both sides that make the lock slide can endure over 100,000 times of usage.
3. When assemble the Slide lock, line up both sides evenly, then using 5mm reamer to ream.
4. 1 different sizes with 3 different mold clamping force:
GBLS-100 with mold clamping force up to 100kg
GBLS-200 with mold clamping force up to 200kg
GBLS-300 with mold clamping force up to 300kg
Can be used for more than 2 sets of Slide Locks when install into larger molding machines.

公制：mm

Type	Kg	單價 U'price
GBLS	100	○
	200	○
	300	○

Order: GBLS - Kg - Q'TY



材質 SCM21

實用強力型

- 引張力600kg以上
- 開模次數100萬回以上
- 彈簧耐熱溫度300°C
- 閉模入力10kg以下

最新強力型鎖模器之功能及說明：

1. 本產品為業者一般開閉器開模力量不夠而精心設計。為一般開閉器中之扣模力最優者。
2. 本產品採用高級合金鋼精密鑄造而成，精度高、抗拉力強。
3. 利用巧妙、簡易的曲線引張彈簧設計原理，使本產品達到入模力最小10kg以下(不傷模具)，出模力最大600kg以上(鎖模力特強)。
4. 本產品作用力為向外兩側，且插入力很小故不傷模具，裝置時兩邊對稱，除螺絲外再以 $\phi 8$ 固定梢固定之，故安全可靠。
5. 本扣模具使用在小水口大型模具，使用時可一次安裝2組以上。

公制：mm

Type	Kg	單價 U'price
GBL	600	○

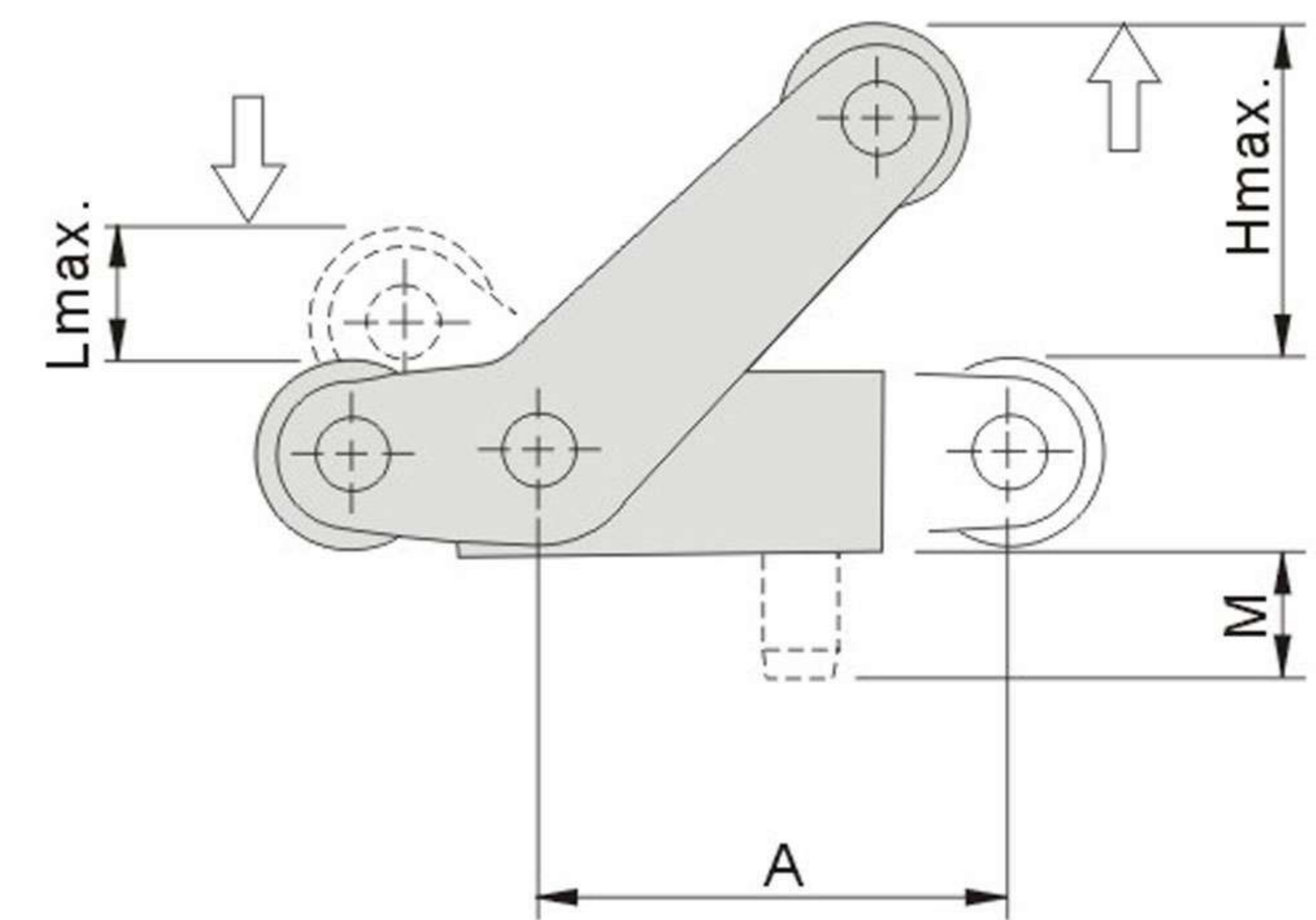
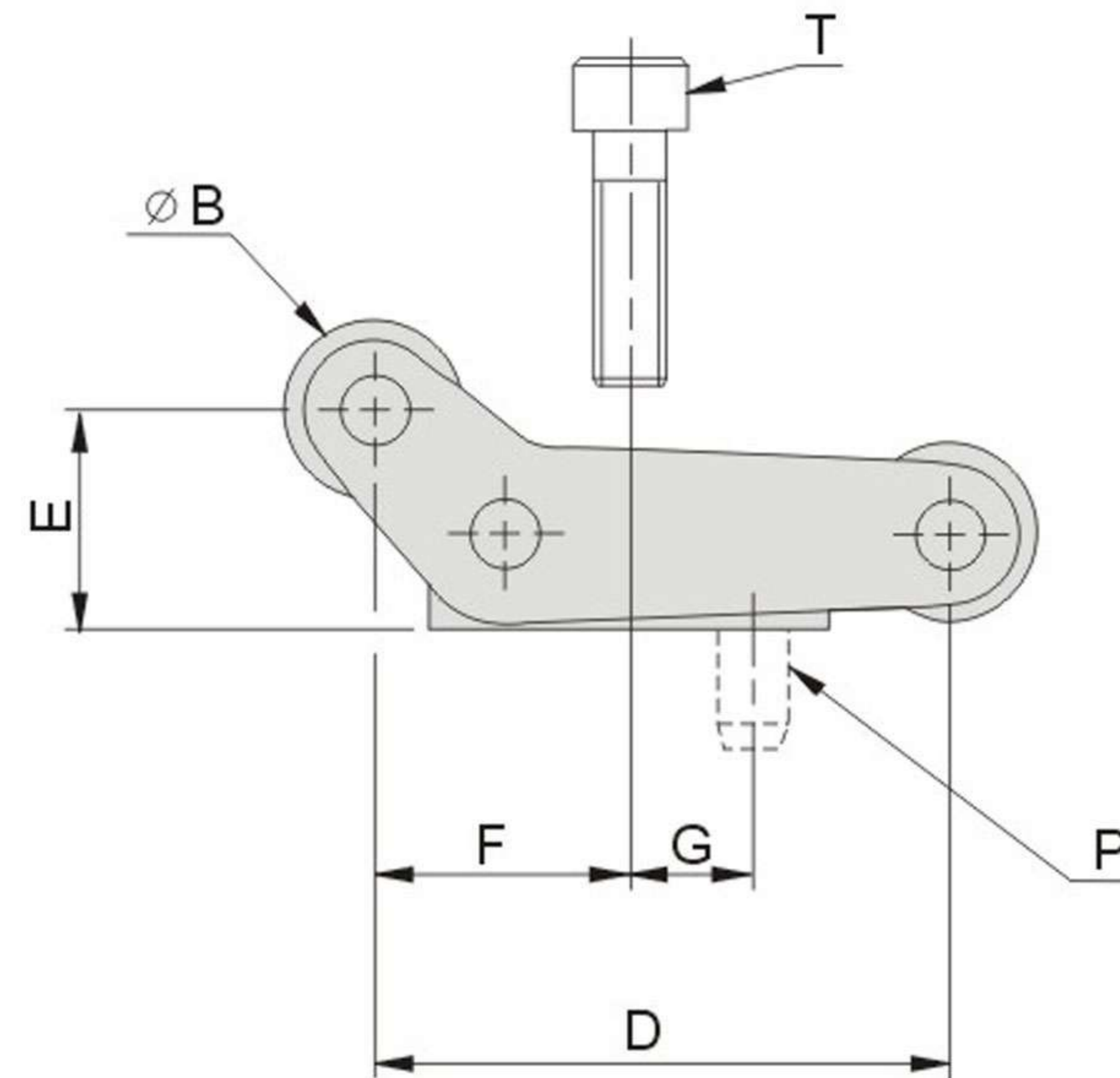
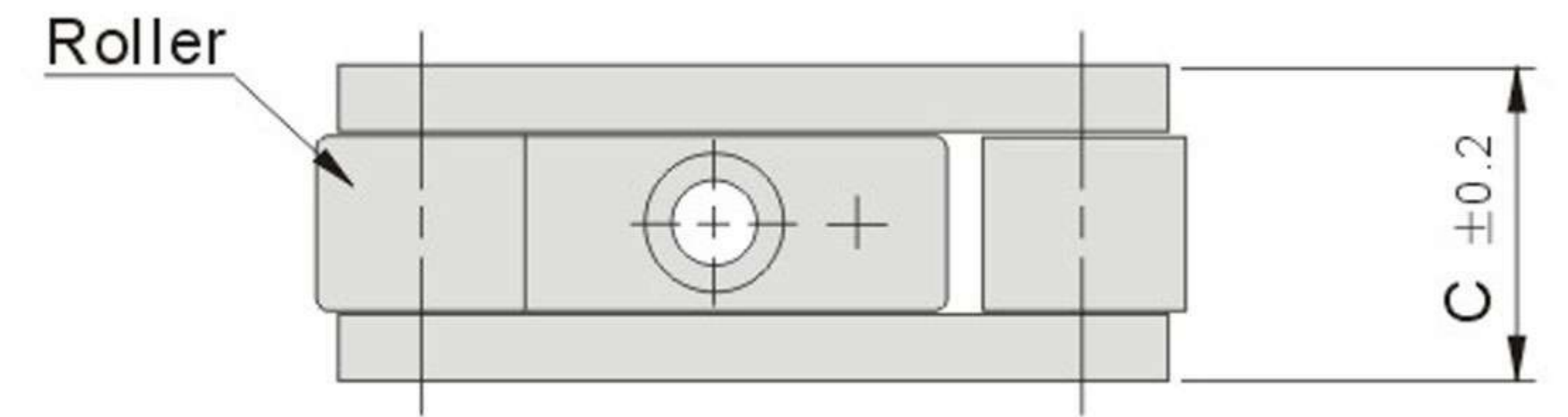


Order: GBL - Kg - Q'TY

鎖模組件系列 Mode Locking Component Series

EP

二次頂出器 Plate Accelerator

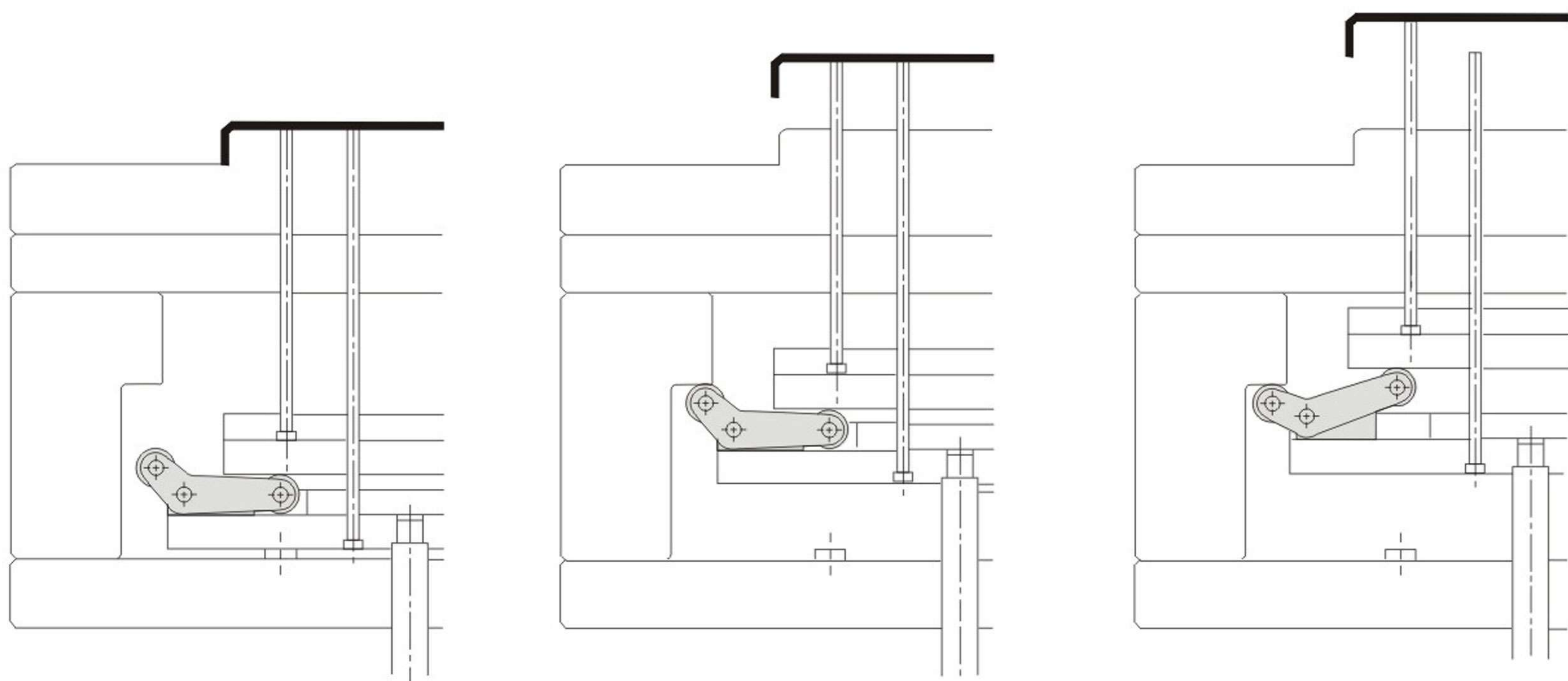


限位夾系列

Type No.	A	B	C	D	E	F	G	Hmax.	Lmax.	M	P	T	Max.Force
EP/25	25	10	16	32.3	11.8	14.3	7	17	6.8	6	3*12	M4*16	125kg
EP/37	37.5	15	22	48.5	17.7	21.5	10.5	25.5	10.2	8	4*16	M6*25	250kg
EP/50	50	20	30	64.6	23.6	28.6	14	34	13.6	10	5*20	M8*30	500kg

- Features**
- This is a 2-stage ejector plate accelerator unit.
 - Use the unit when it is difficult to eject the finished products with one-step ejection/when you want to have the finished products automatically fall.

- Notes**
- In order to operate the plate in a well-balanced condition, install at least two 2-stage accelerator units symmetrically.

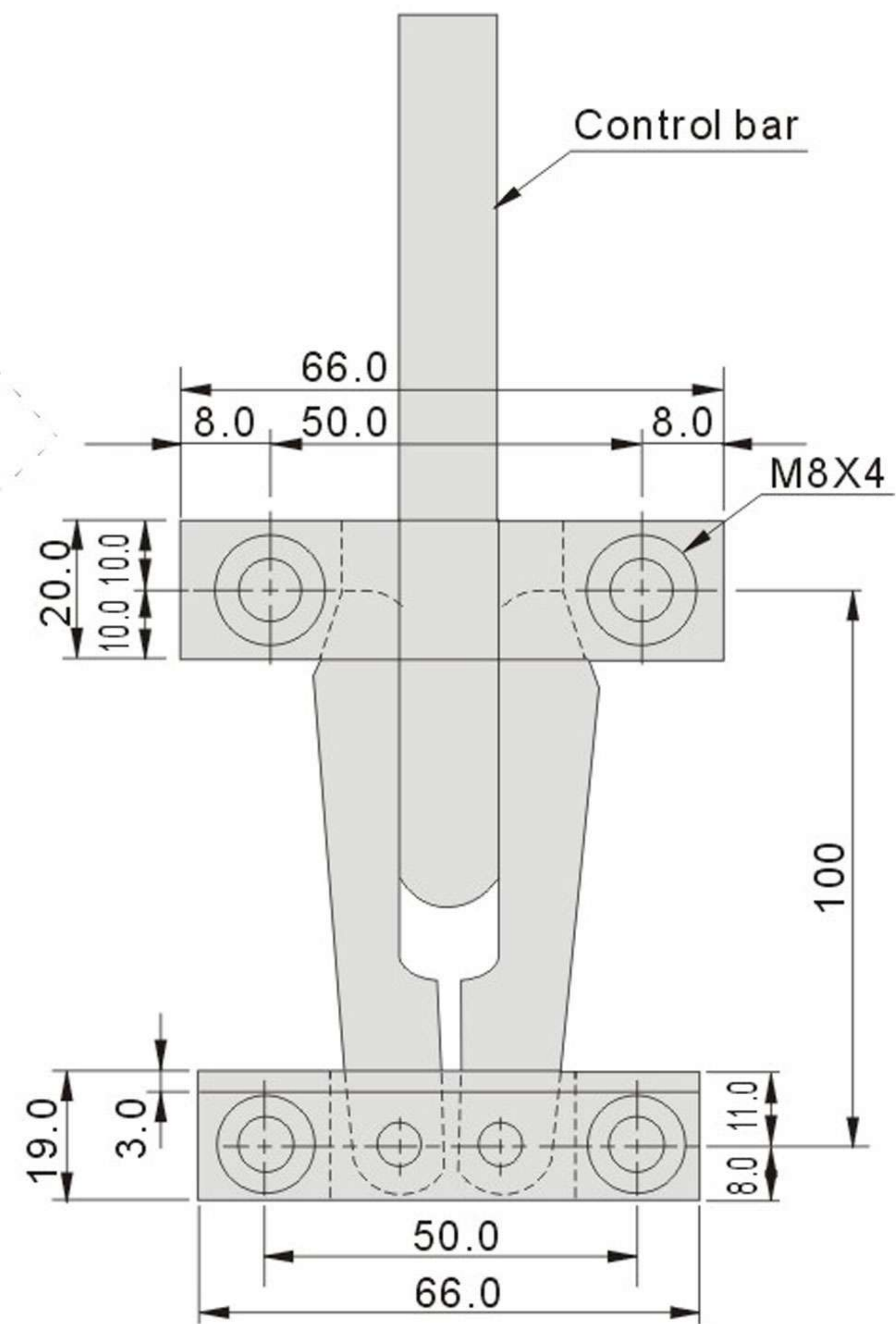
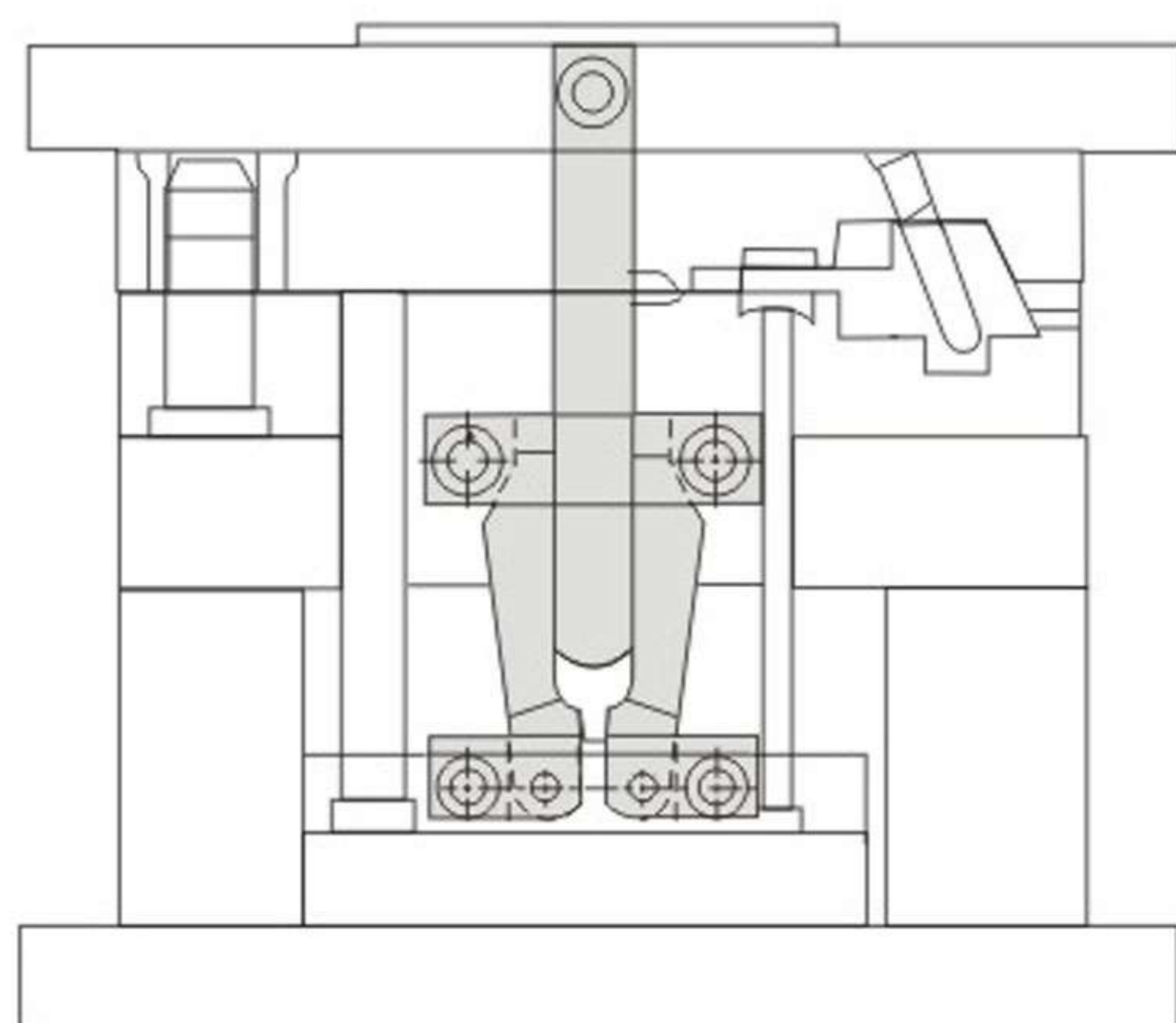


Order: EP/25 - Q'TY

頂針板强制回位

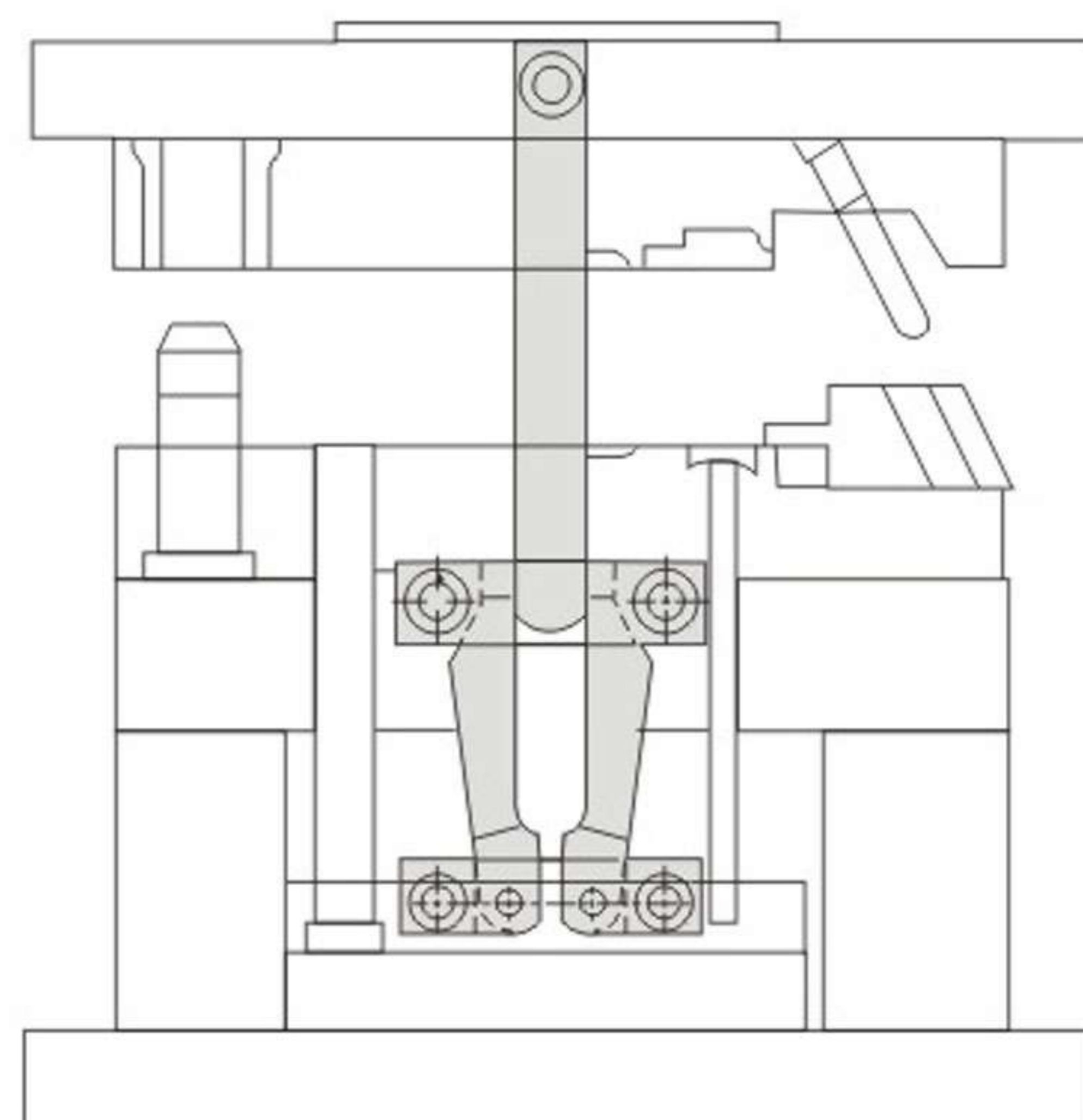

一組為二公二母二梢

- M** 材質 SCM21
- H** 硬度 長梢前端HRC45°~50°
尾端HRC20

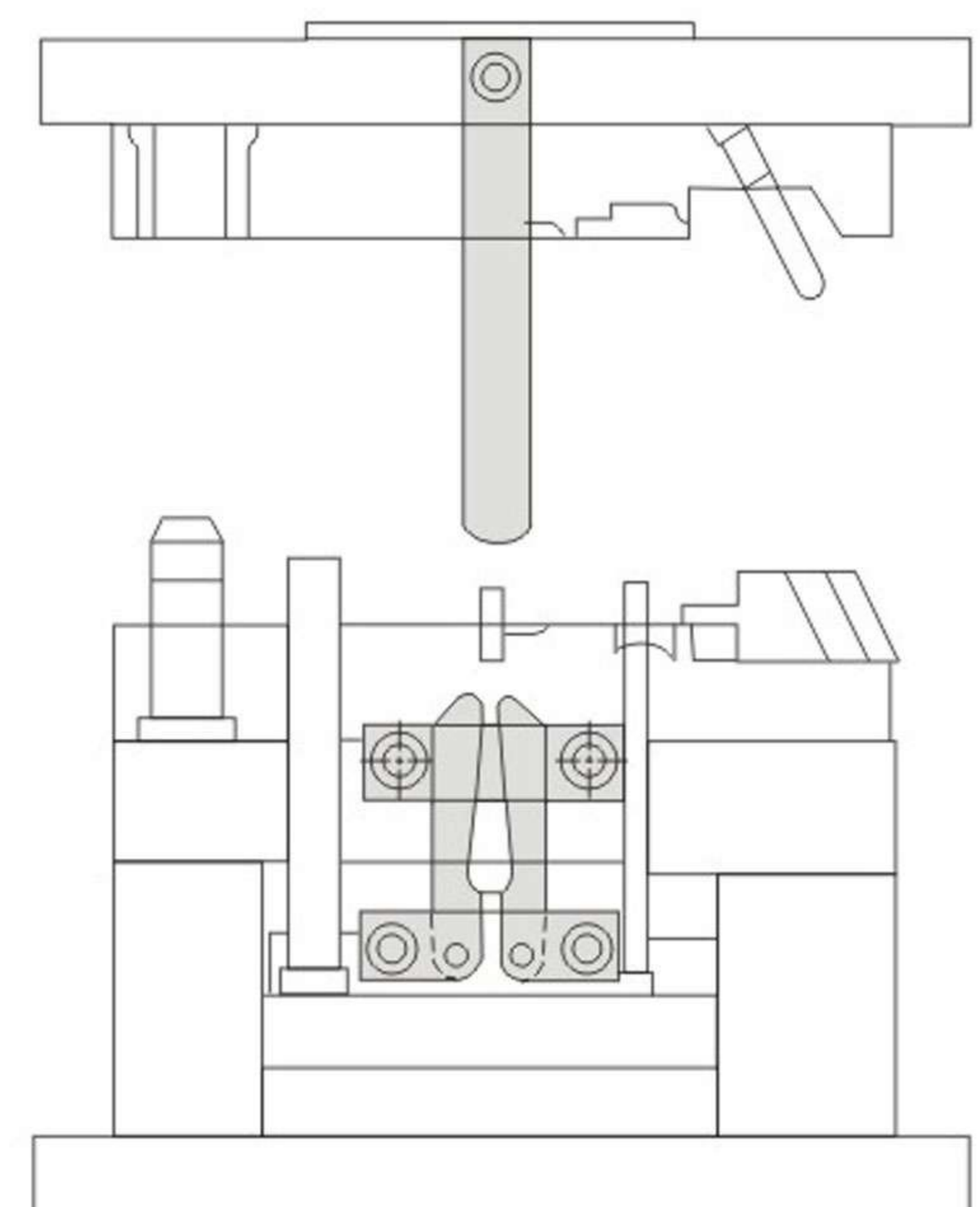

 長梢分為三種規格：200、250、300
(Control bar length)


Mold closed

① 鋼模組合.關



Mold closed

 ② 鋼模組立完成仕樣，
射出成形。


Complete mold opened

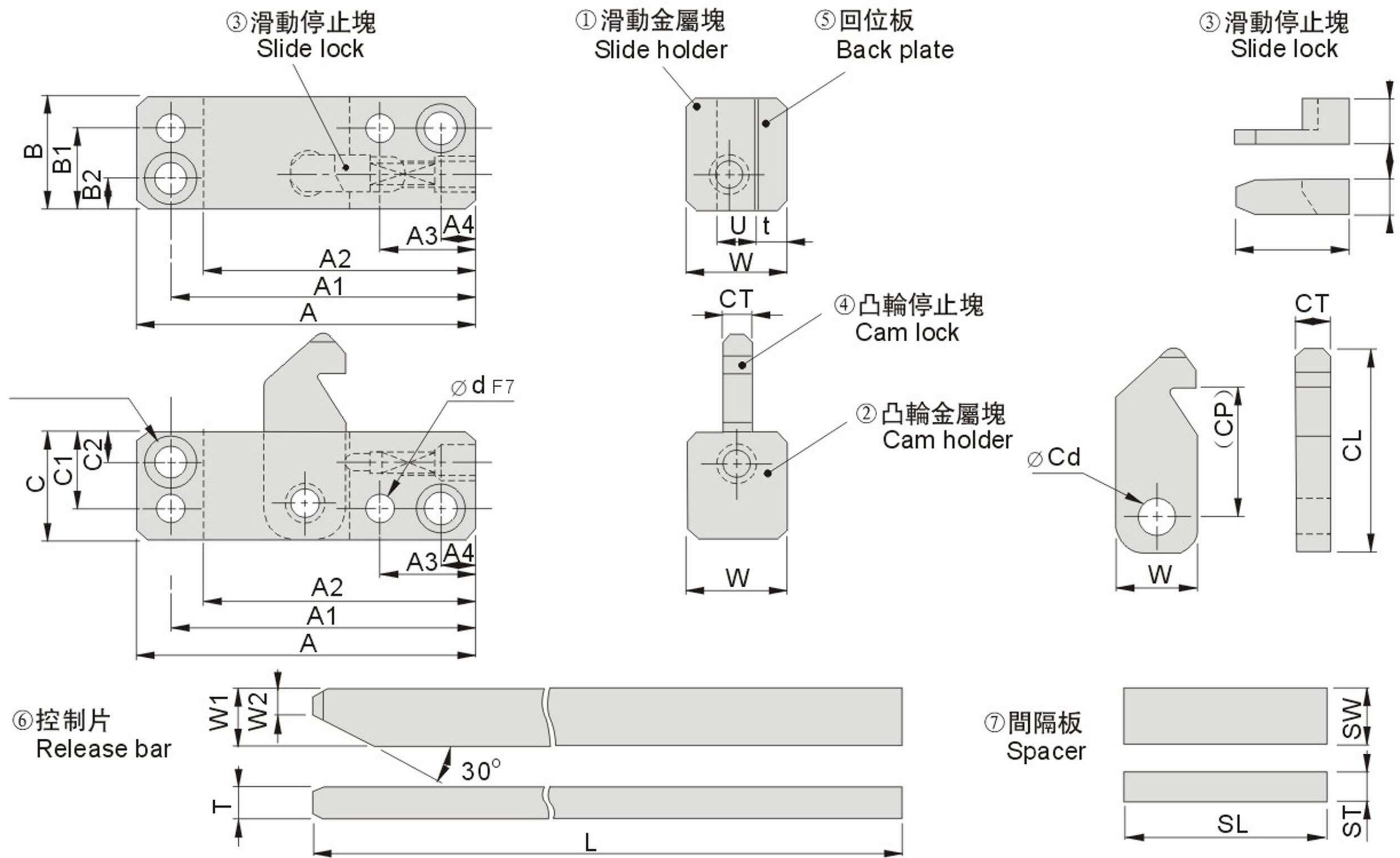
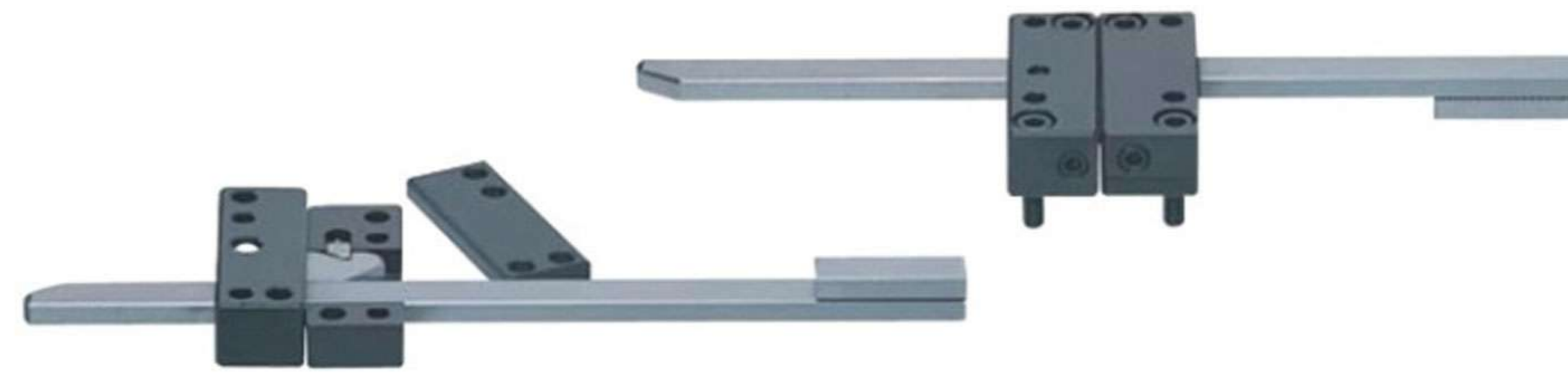
 ④ 鋼模合模開始，
頂出板强制回位
完成。

 Order: **RT200** - Q'TY

鎖模組件系列 Mode Locking Component Series

SPL

開閉器 (日式-PL型) Parting Lock Sets PL Type



限位夾系列

零件名稱	①滑動金屬塊	②凸輪金屬塊	③滑動停止塊	④凸輪停止塊	⑤回位板	⑥控制片	⑦間隔板
M 材質	SKD61	SKD61	SKD11	SKD11	SK	S45C	S45C
H 硬度	50~55HRC	50~55HRC	58HRC~	58HRC~	50HRC~	45HRC~(高周波處理)	--

Type No.	①滑動金屬塊 ②凸輪金屬塊													③滑動停止塊				
	A	A1	A2	A3	A4	B	B1	B2	C	C1	C2	W	U	螺栓孔 M	d	RL	RT	RW
SPLS	68	61.5	55	19	7	26	19	7	24	17	7	20	8	M6用	∅6	18	7	11
SPLM	88	79	70	24	9	38	29	9	30	21	9	30	12	M8用	∅8	20	9	16
SPLL	104	93	82	27	11	48	37	11	38	27	11	45	20	M10用	∅10	24	12	26

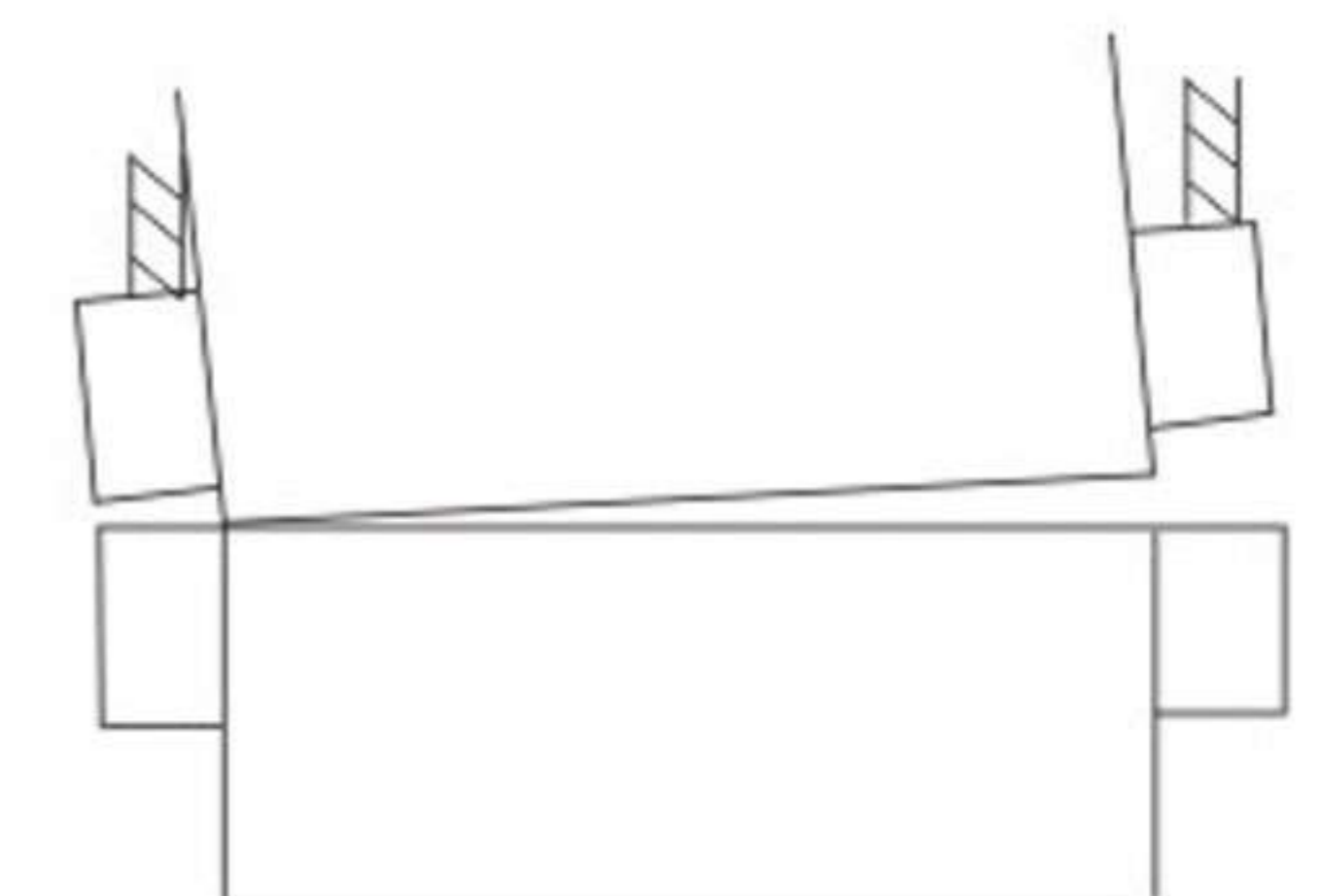
④凸輪停止塊					⑤ I	⑥控制片				⑦間隔板			附屬品			Catalog No.	單價 U'price
CL	CP	CA	CT	Cd		W1	W2	T	L	SW	ST	SL	螺栓 4pcs	定位銷 4pcs	彈簧 4pcs		
45	28	16	7.5	8	6	13	5.9	7	250	13	6.5	40	CB6-25	MSTM6-30	WHH6-15	SPLS	○
64	41	20	10	10	7	16	8	10	300	16	8	50	CB8-35	MSTM8-35	WHH8-20	SPLM	○
84	53.5	25	18	13	8	20	9.5	15.5	350	20	10.2	55	CB10-50	MSTM10-50	WHH8-20	SPLL	○

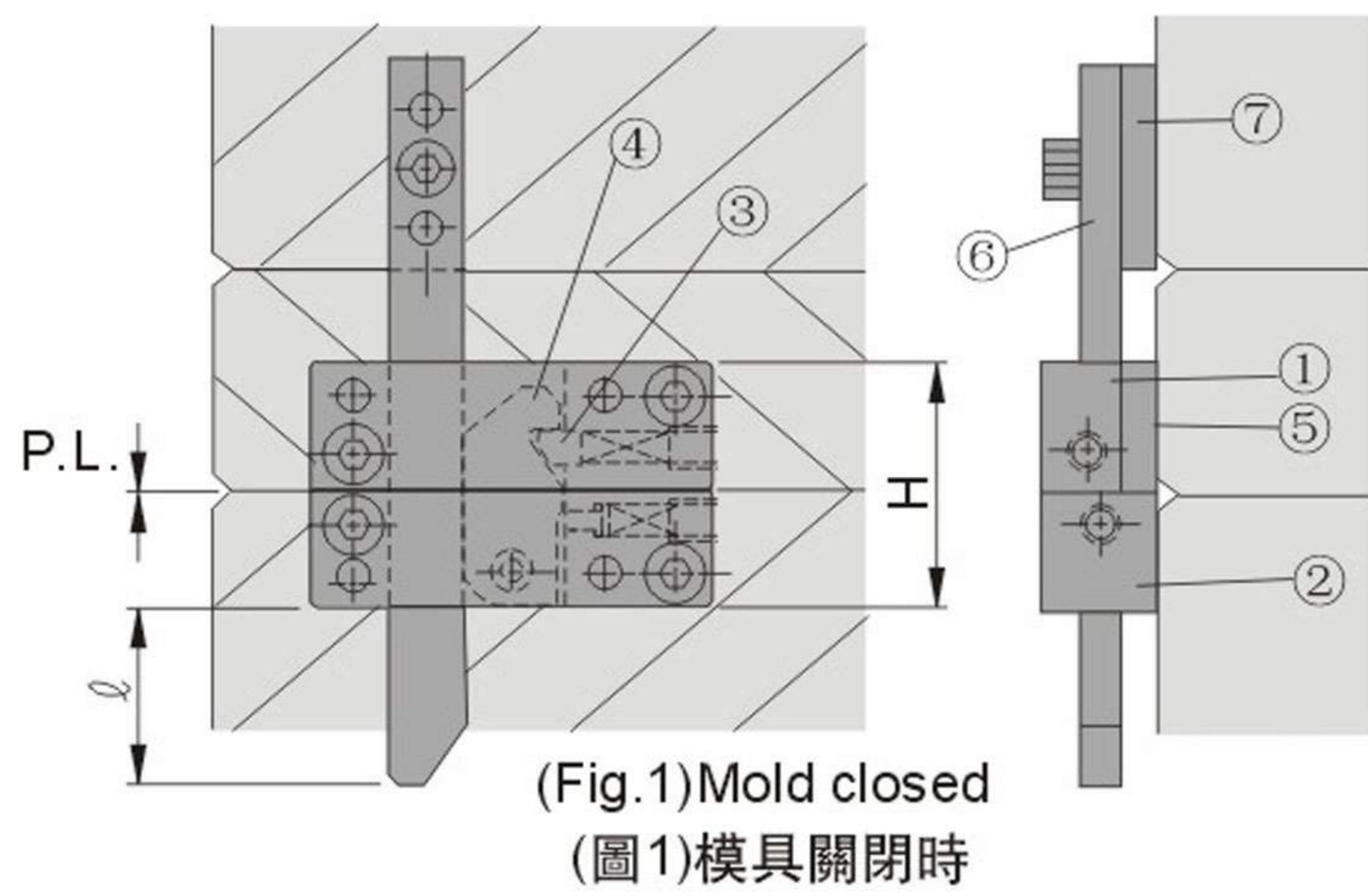
特長:

1. 體積輕巧安裝容易。
2. 正確進行開模動作時，無反動動作。
3. 鎖緊時幾乎無荷重，亦可使用于輕壓型。
4. 動時不需牽涉開模之順序。
5. 澆道脫模板比P.L.面早關閉時，滑動停止塊會后退之結構。

使用注意事項:

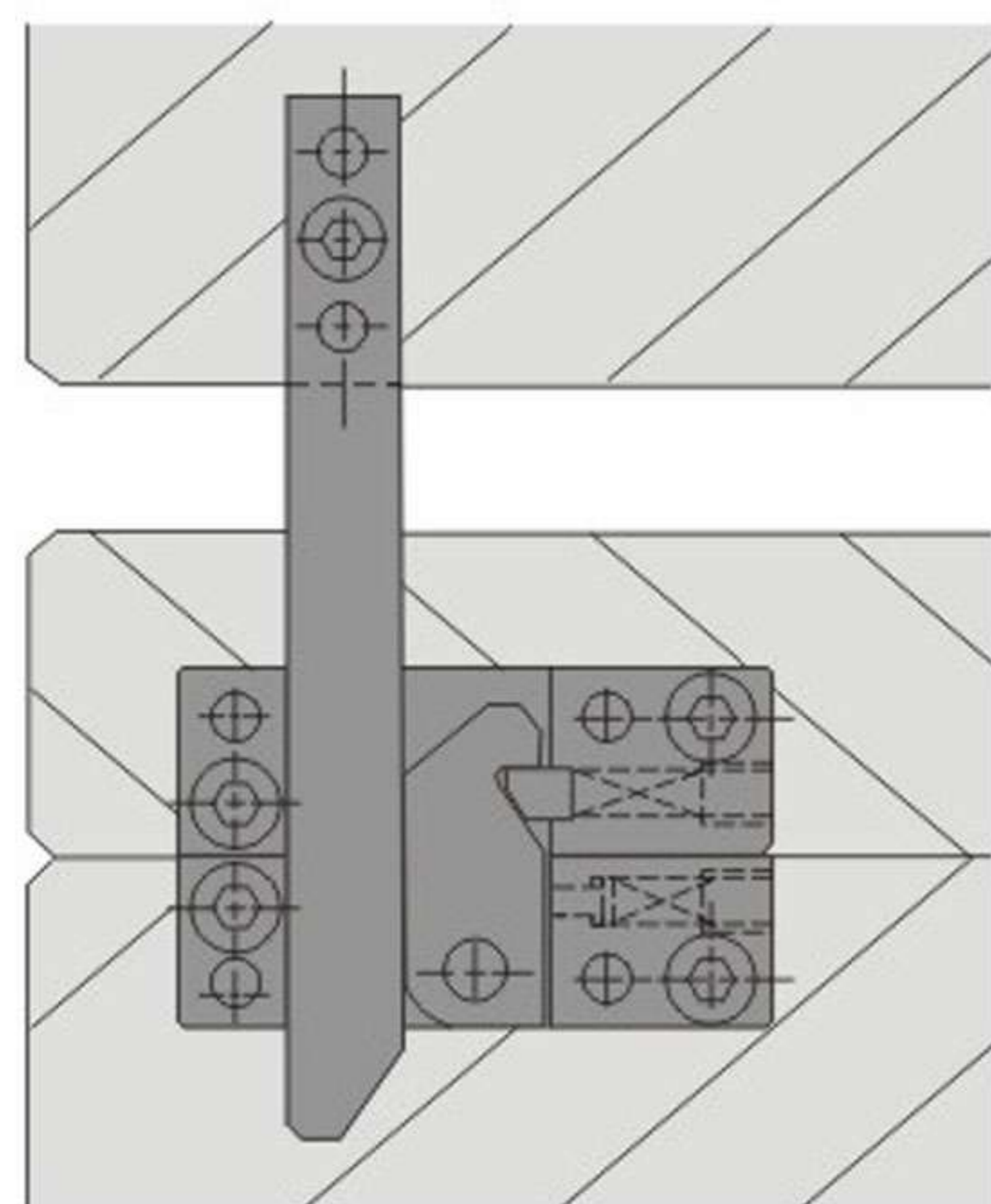
1. 請使用2組以上之開閉器組件。
2. 開閉器組件的荷重請以下列來做標準值:
 PLS...每一模具1t以下(使用2組時)
 PLM...每一模具1.8t以下(使用2組時)
 PLL...每一模具4t以下(使用2組時)
3. 左右控制點一旦偏移，只有單側會固定，可能會導致強度減低、破裂，請注意。



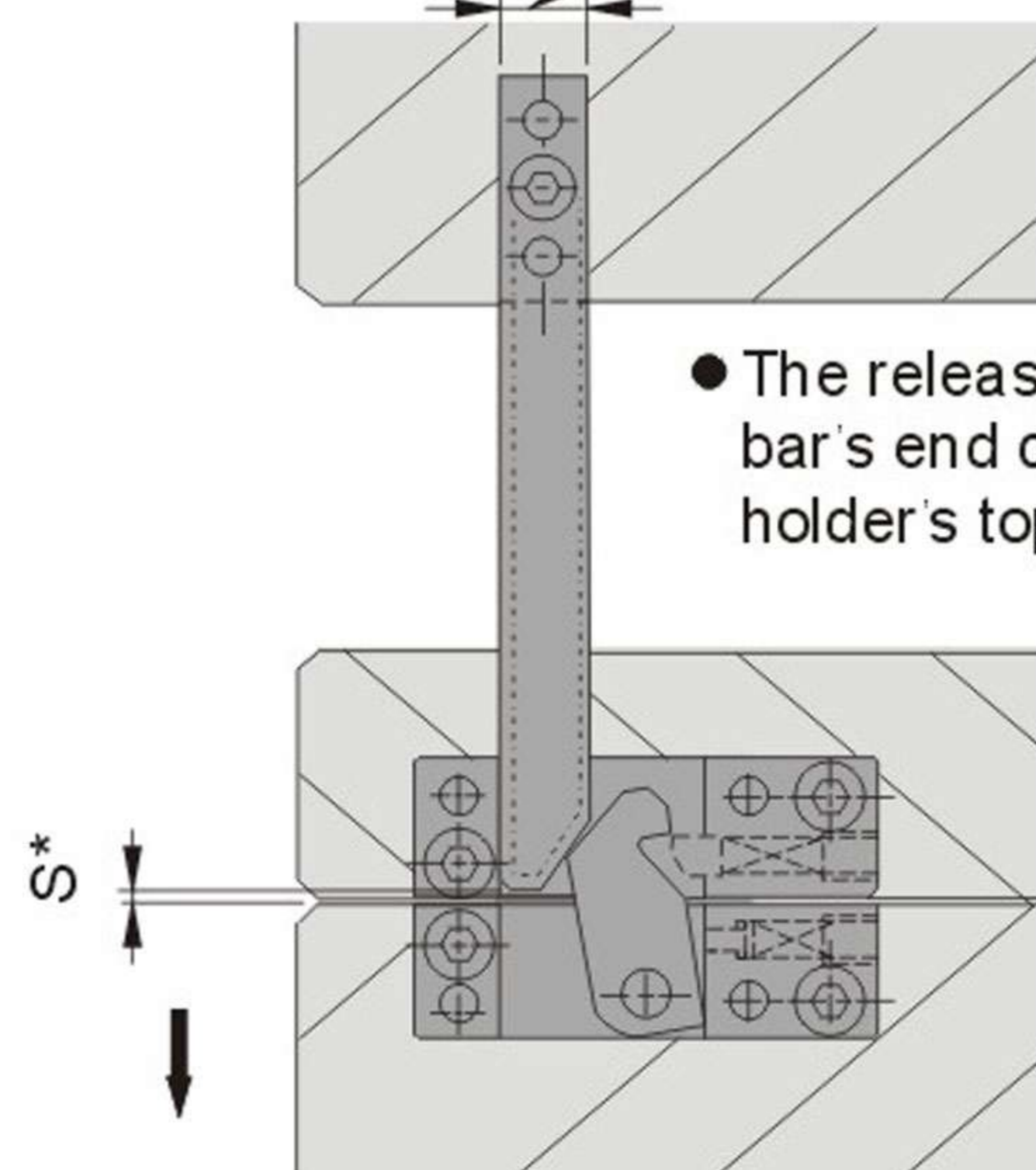


控制片之滑動面經高周波處理為45HRC以上，側面開有安裝孔，為30HRC以下。

The release bar's sliding face has been reinforced up to 45HRC or higher through induction hardening. However, strength of its side faces has been kept under 30HRC for drilling of mounting holes.



(Fig.2) Mold opened
(圖2) 模具開啓中

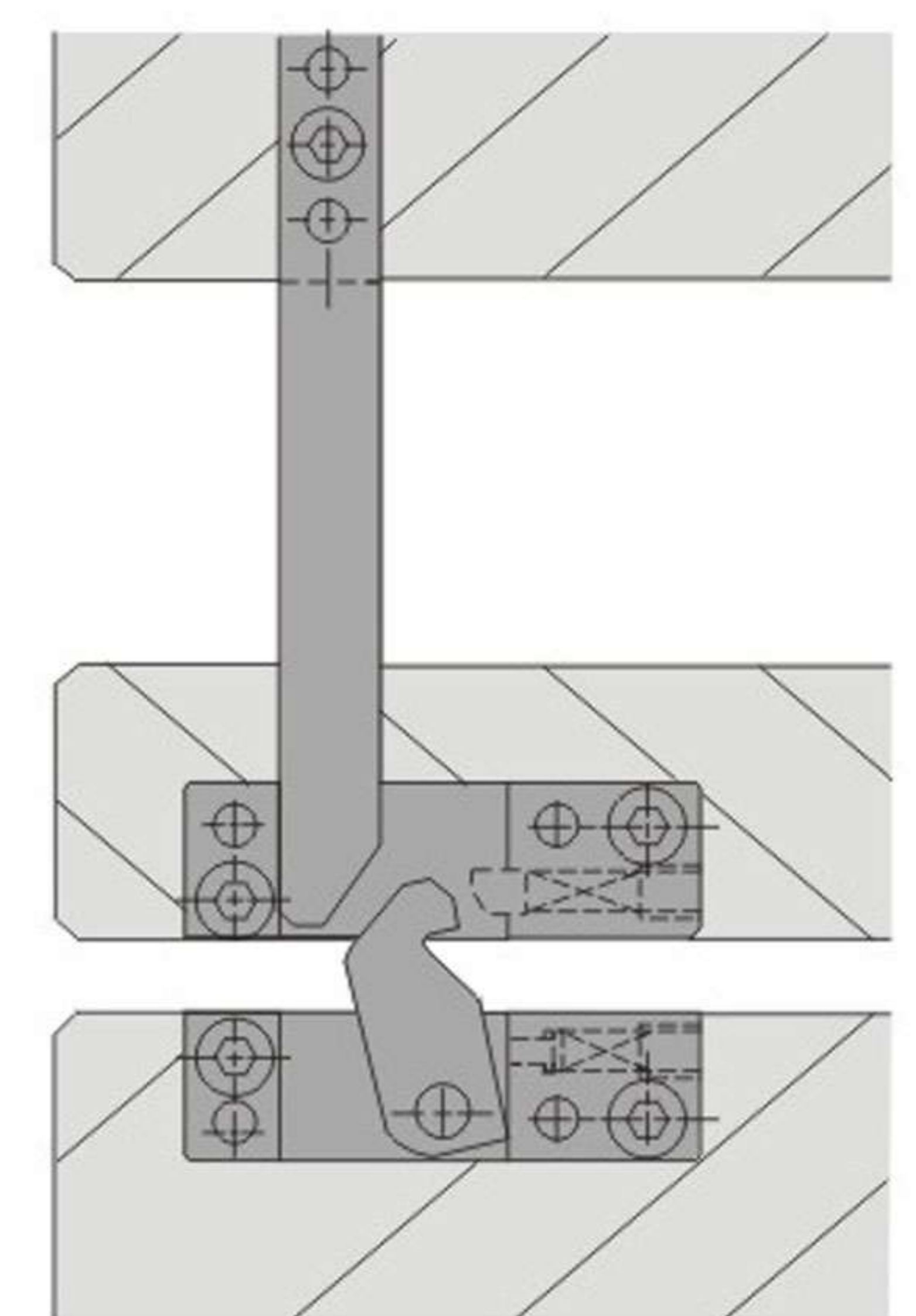


(Fig.3) Release point of the cam lock
(圖3) 凸輪停止塊偏移位置

● The release point is where the release bar's end comes above the Smm* cam holder's top surface

● 控制點位于比控制板端面停止塊高Smm*之上方位置處。

● 請將S尺寸(參考值)作為參考標準。應依據實際偏移時間點配合實物，確認后再組裝。



(Fig.4) Parting Line is released
(圖4) P.L.開啓狀態

No.	S*(mm)
PLS	Approx.2
PLM	Approx.11
PLL	Approx.15

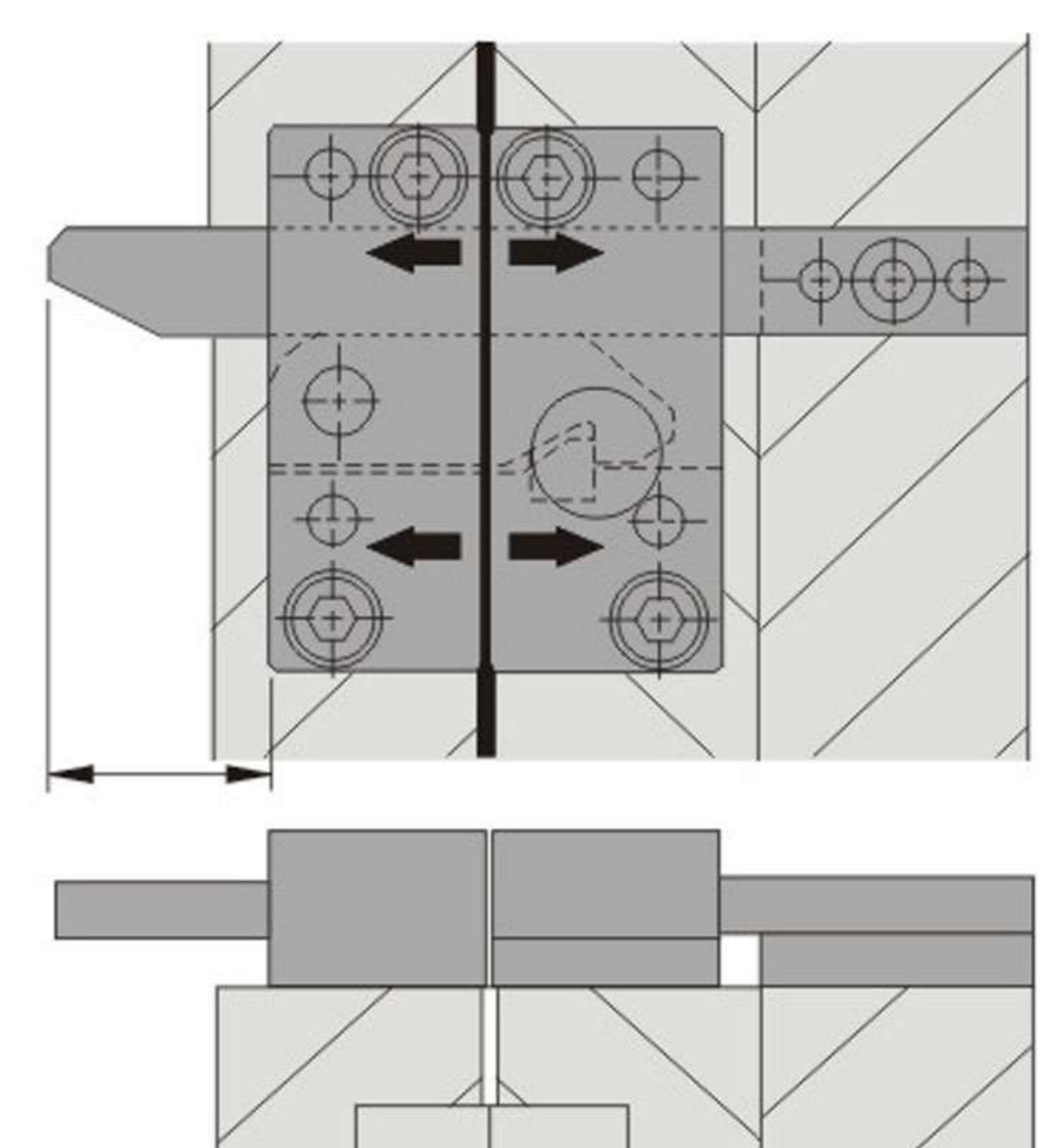
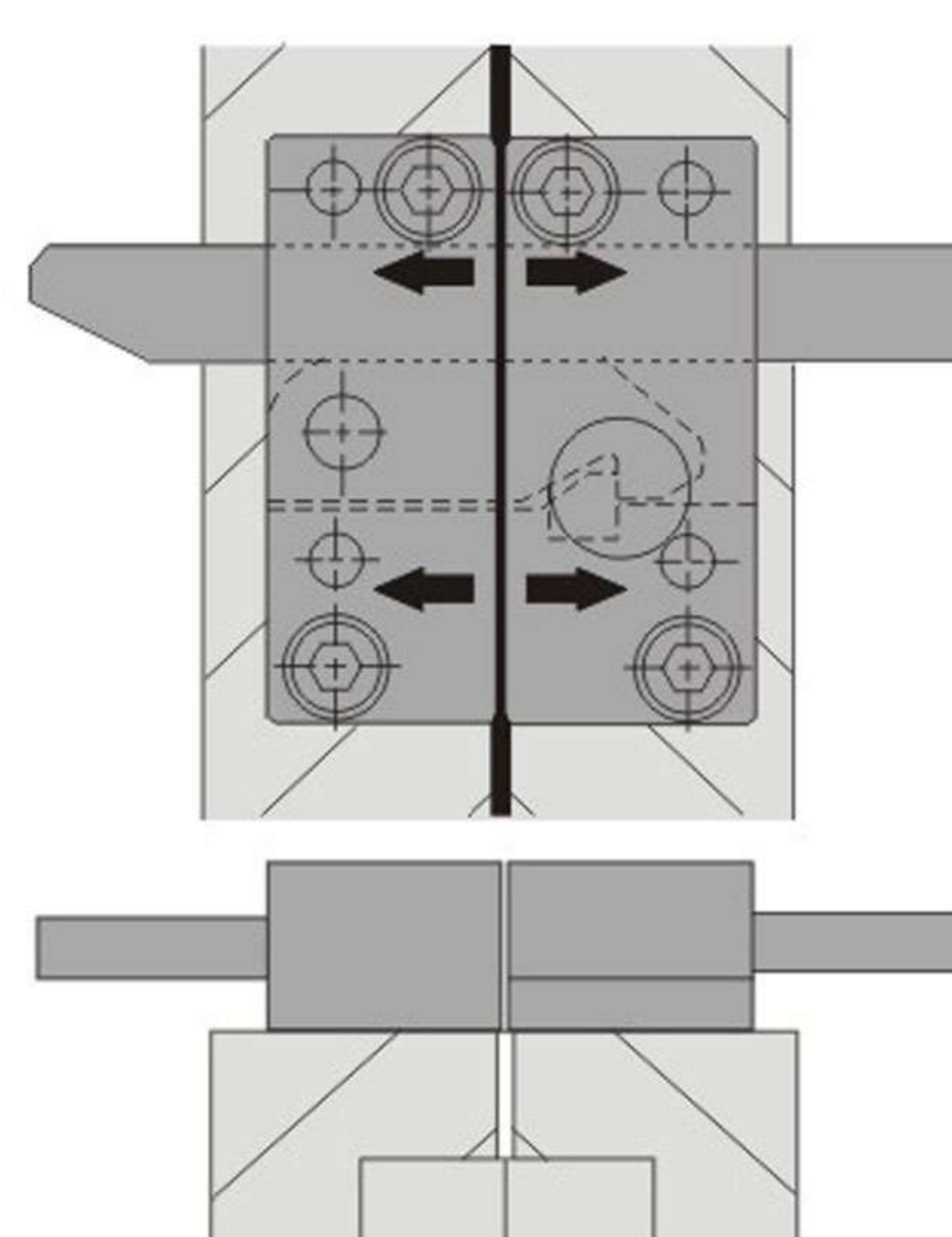
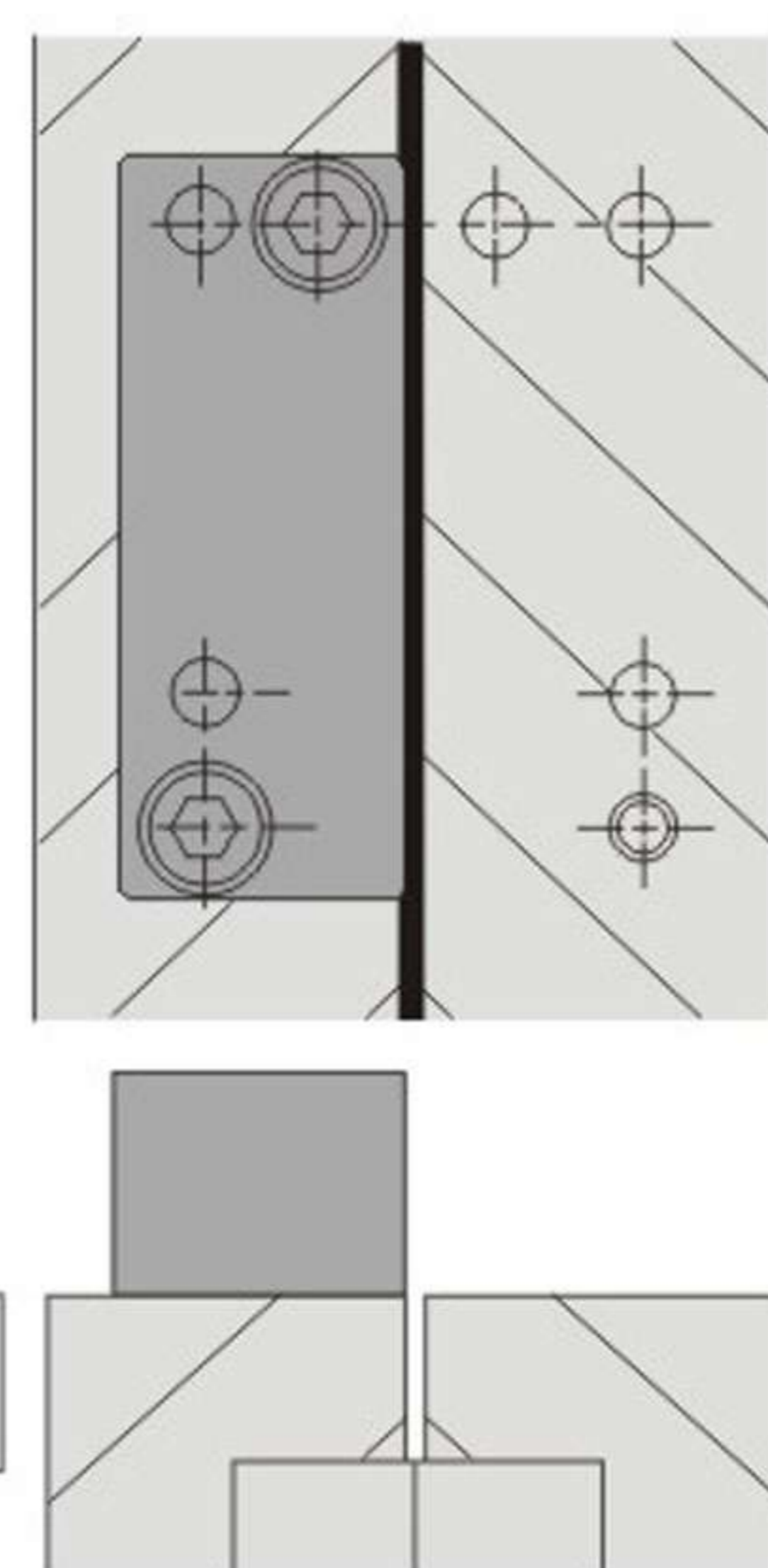
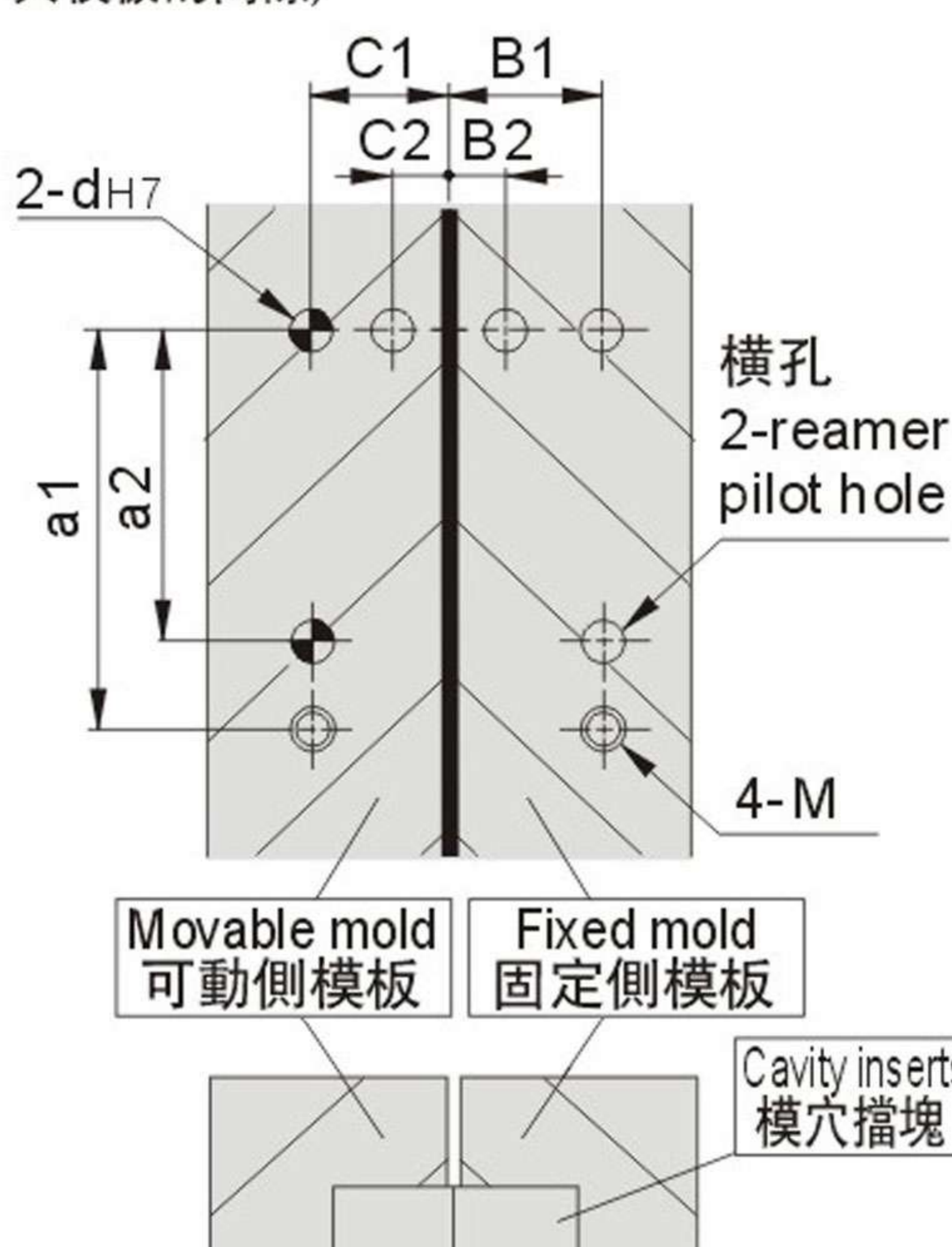
開閉器組件的安裝方法

① 在模板上進行與PL面平行之螺栓孔與擴孔加工，間距精密度±0.01以內。間距精密度為±0.02以內時，則依擴孔機的下孔徑尺寸進行加工。(孔加工時須考慮模穴擋塊與模板的間隙)

② 在可動模板上安裝凸輪金屬塊。

③ 為了消除凸輪停止塊與滑動停止塊間隙，插入控制板，與凸輪金屬塊保持平行拉出滑動金屬塊并暫時固定，接著進行擴孔加工，并將定位梢壓入。于此狀態下，確認控制板是否正常動作后，鎖上螺絲。

④ 將模具安裝在成型機上，并將控制板依所需長度進行裁切，進行螺栓孔、擴孔下孔等的加工后，將控制板暫時固定。在確認開閉器組件的滑動情形后，進行擴孔加工，壓入定位梢。請將控制板的突出長度對齊，以便配合控制時機。

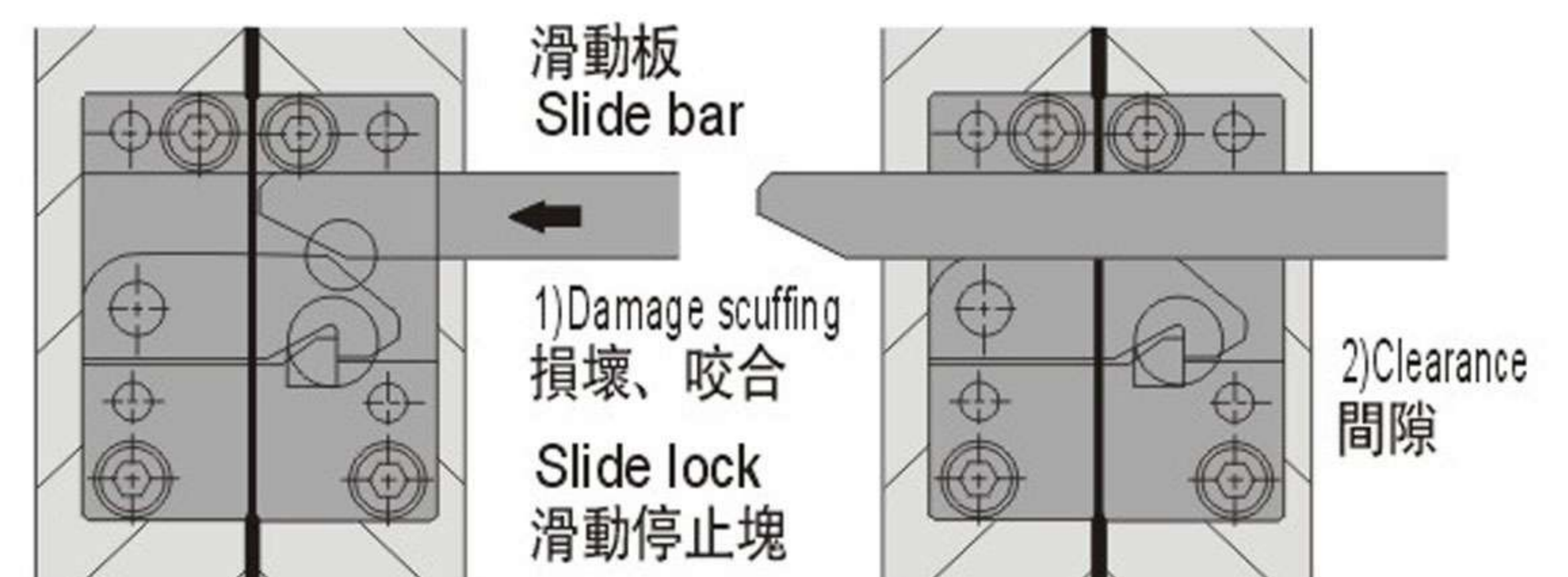


Type	a1	a2	C1	C2	B1	B2	M	dH7	Reamer pilot hole 擴孔 M-0.3
PLS	54.5	42.5	517	7	19	7	M6	6	5.7
PLM	70	55	21	9	29	9	M8	8	7.7
PLL	82	66	27	11	37	11	M10	10	9.7

注意事項

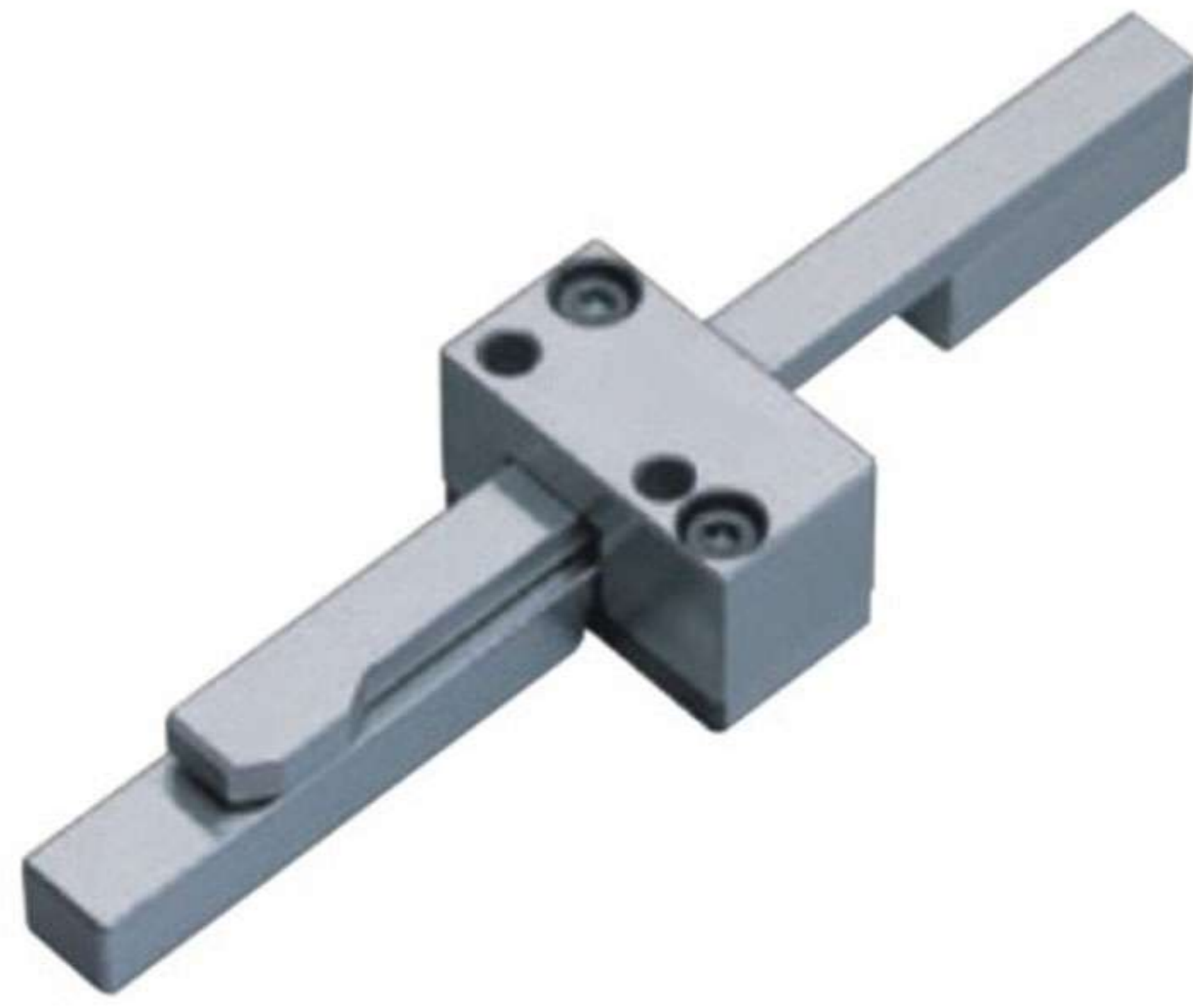
在對開閉器組件的定位梢孔進行NC加工時，會發生以下的不良情形。

- 1) 由于凸輪停止塊及滑動停止塊的位置偏移，造成滑動板不易進入，因而導致凸輪停止塊損壞之原因。
 - 2) 凸輪停止塊及滑動停止塊之間出現間隙，因而造成成型不良。
- 因上述理由，在配合實物進行加工時請確實進行位置調整。

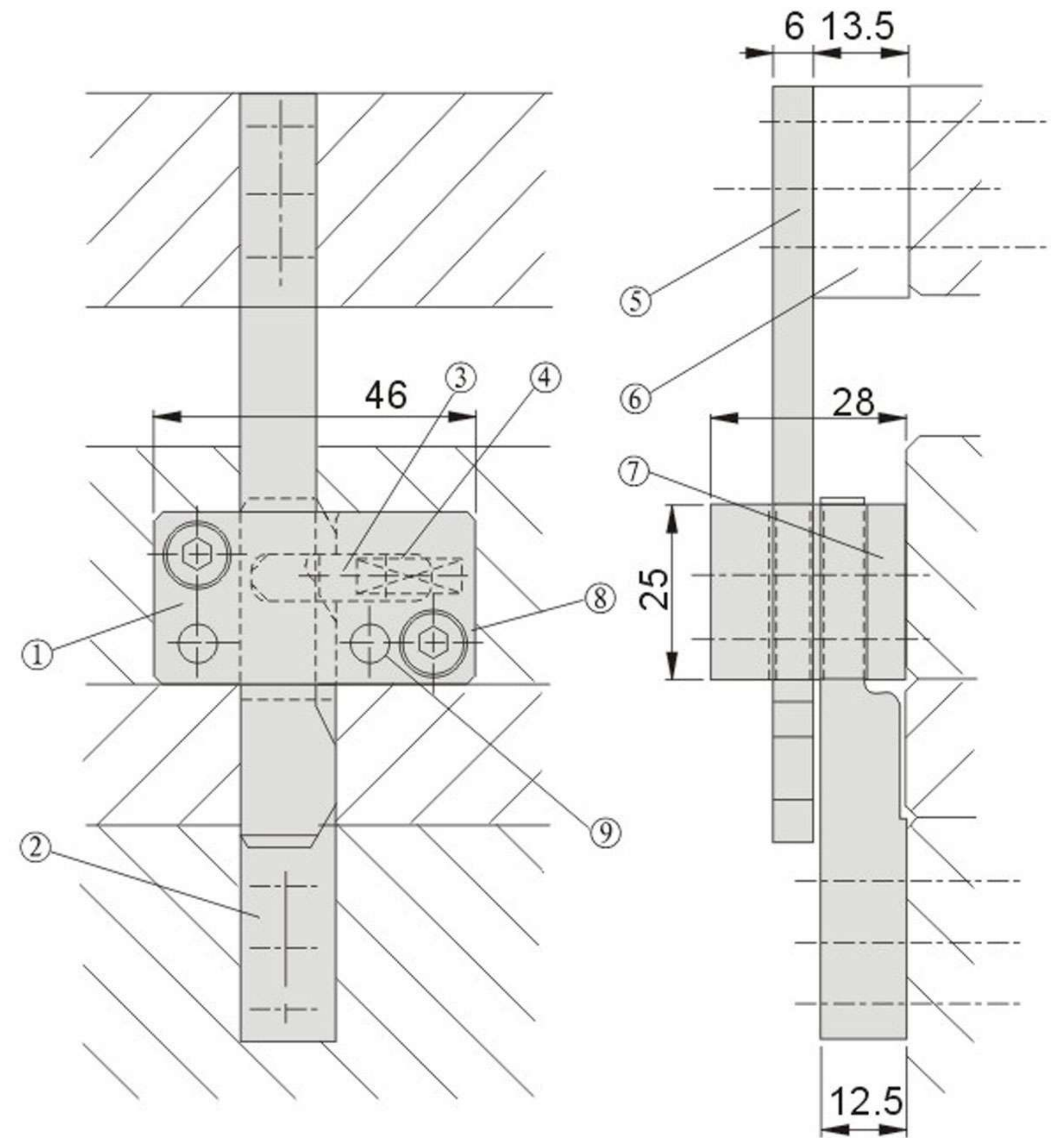


鎖模組件系列 Mode Locking Component Series

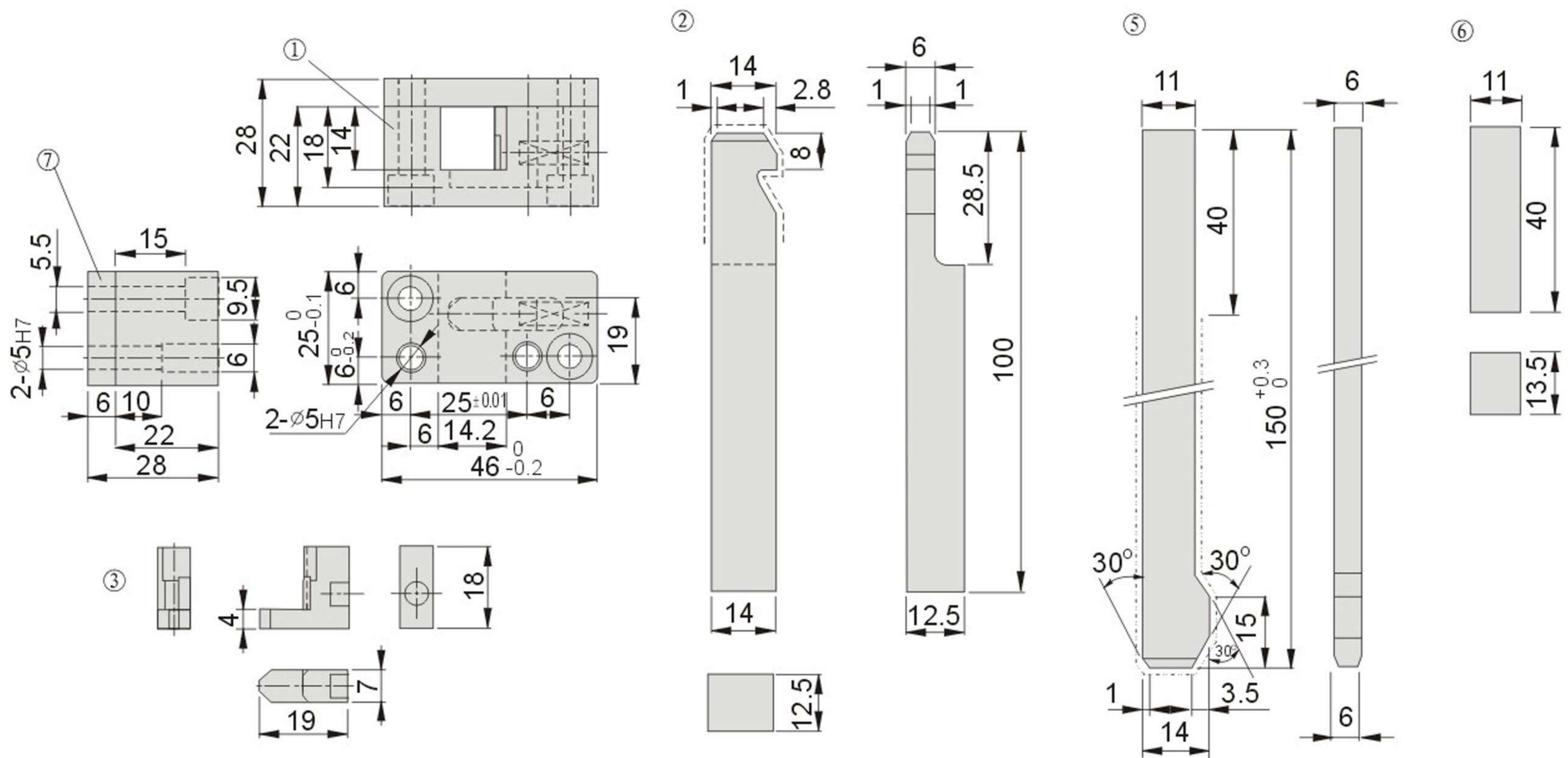
SPLSW 開閉器 (日式-SPLSW型) Parting Lock Sets SPLSW Type



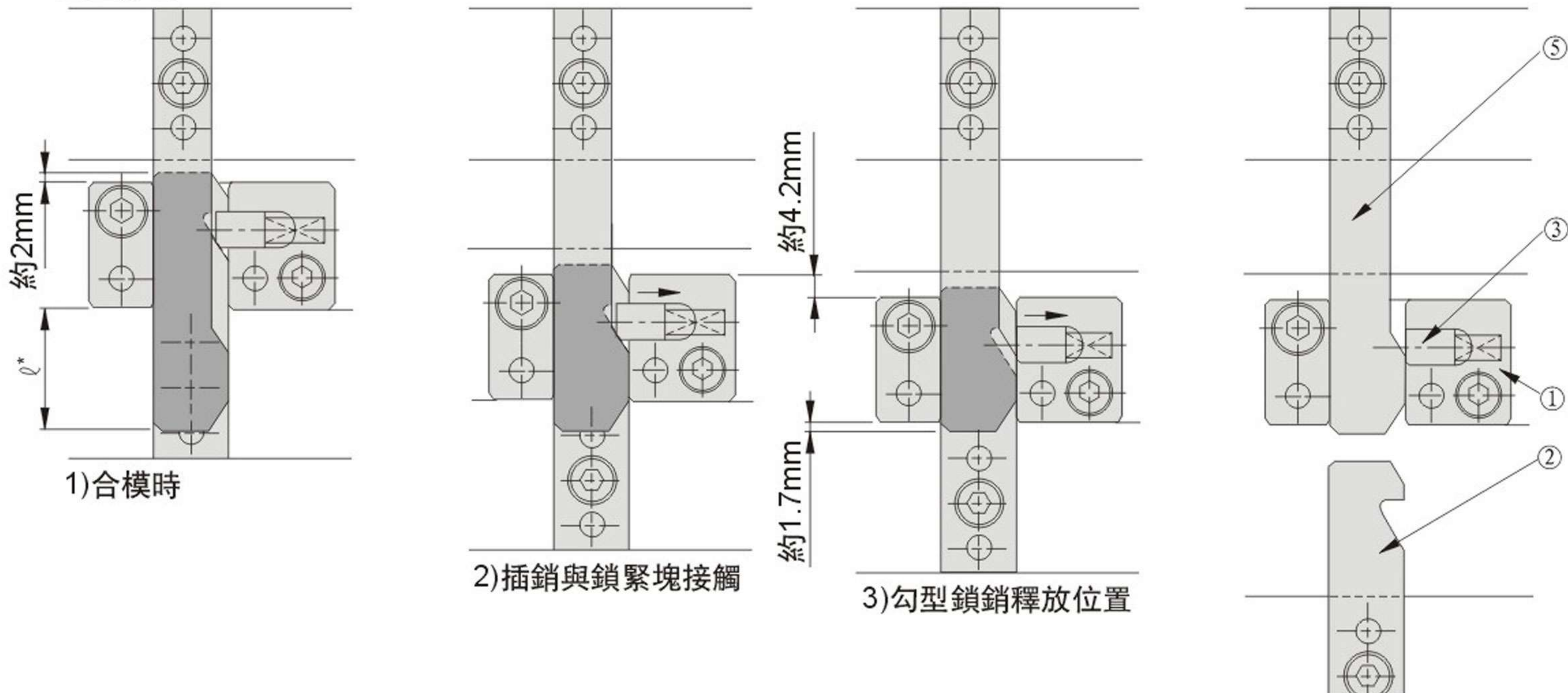
零件名稱 Item	材質	硬度
① 鎖緊座 Cam holder	SKD61	50~55HRC
② 鈎形鎖銷 Lock bar	SKS3	58HRC~(高周波)
③ 鎖緊塊 Slide lock	SKD11	58HRC~
④ 彈簧 Spring	SUS631	-
⑤ 插銷 Release bar	SKS3	58HRC~(高周波)
⑥ 插銷墊塊 Spacer	S45C	-
⑦ 鎖緊底板 Sacking plate	SKS3	50HRC~

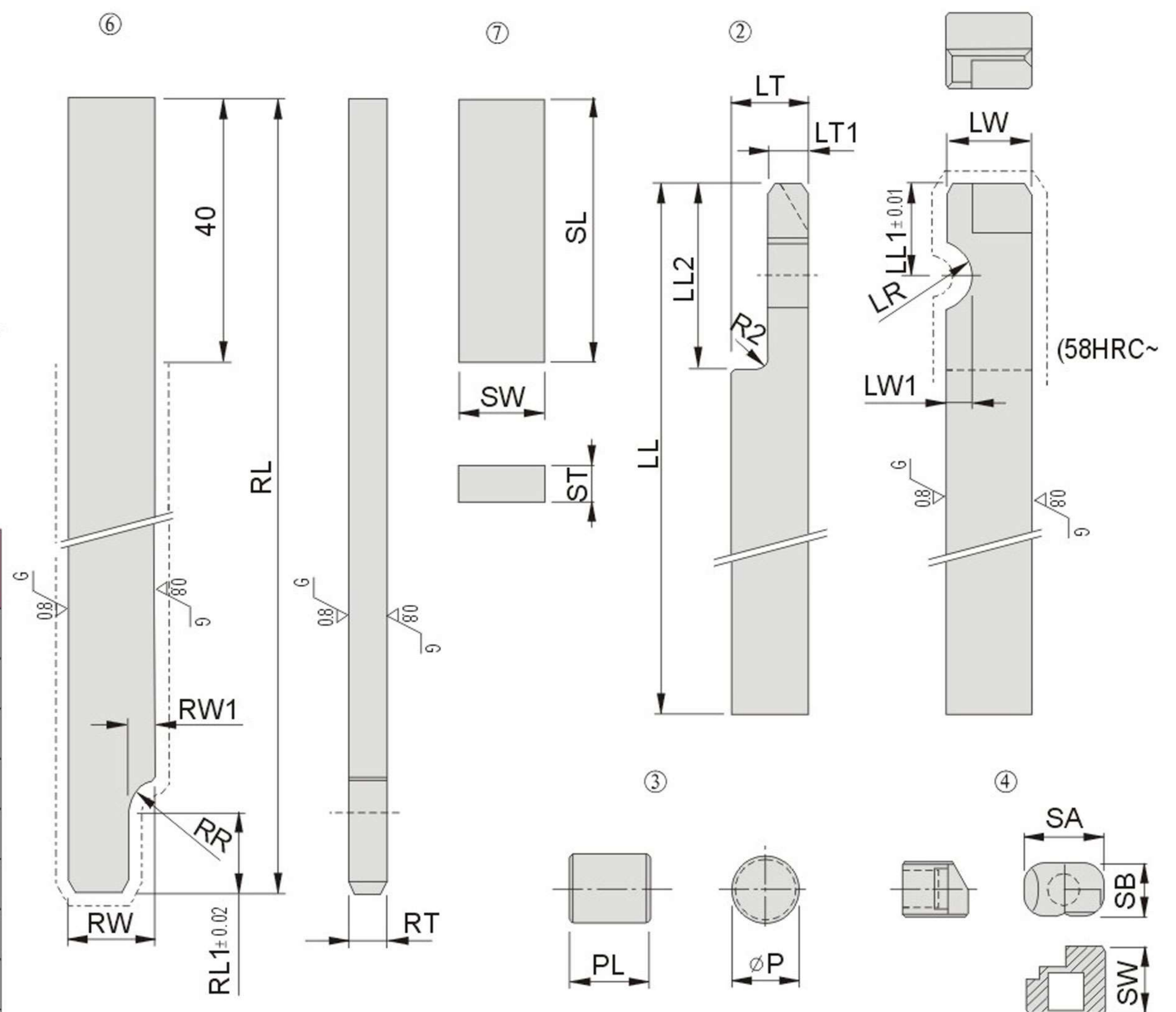
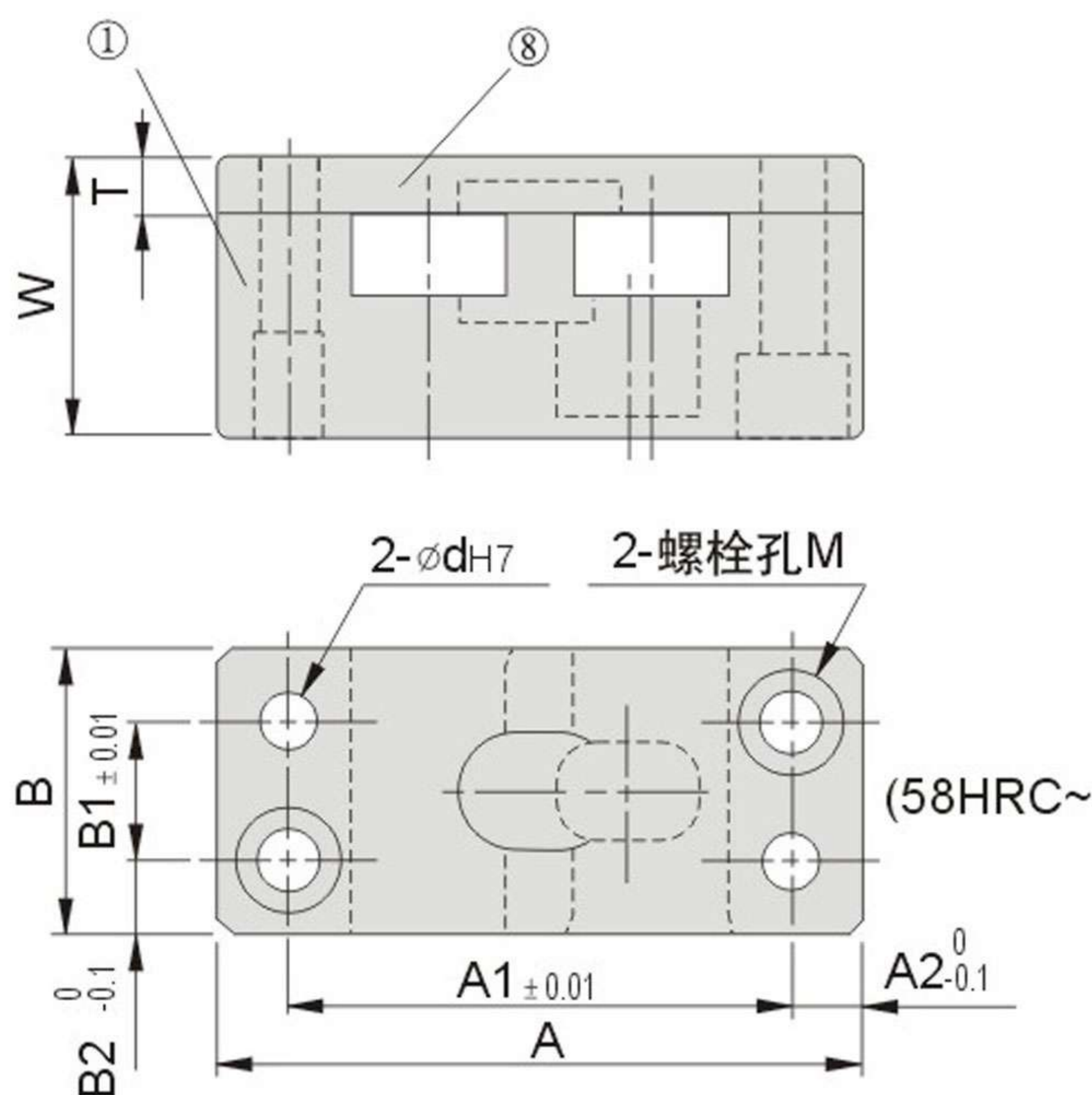
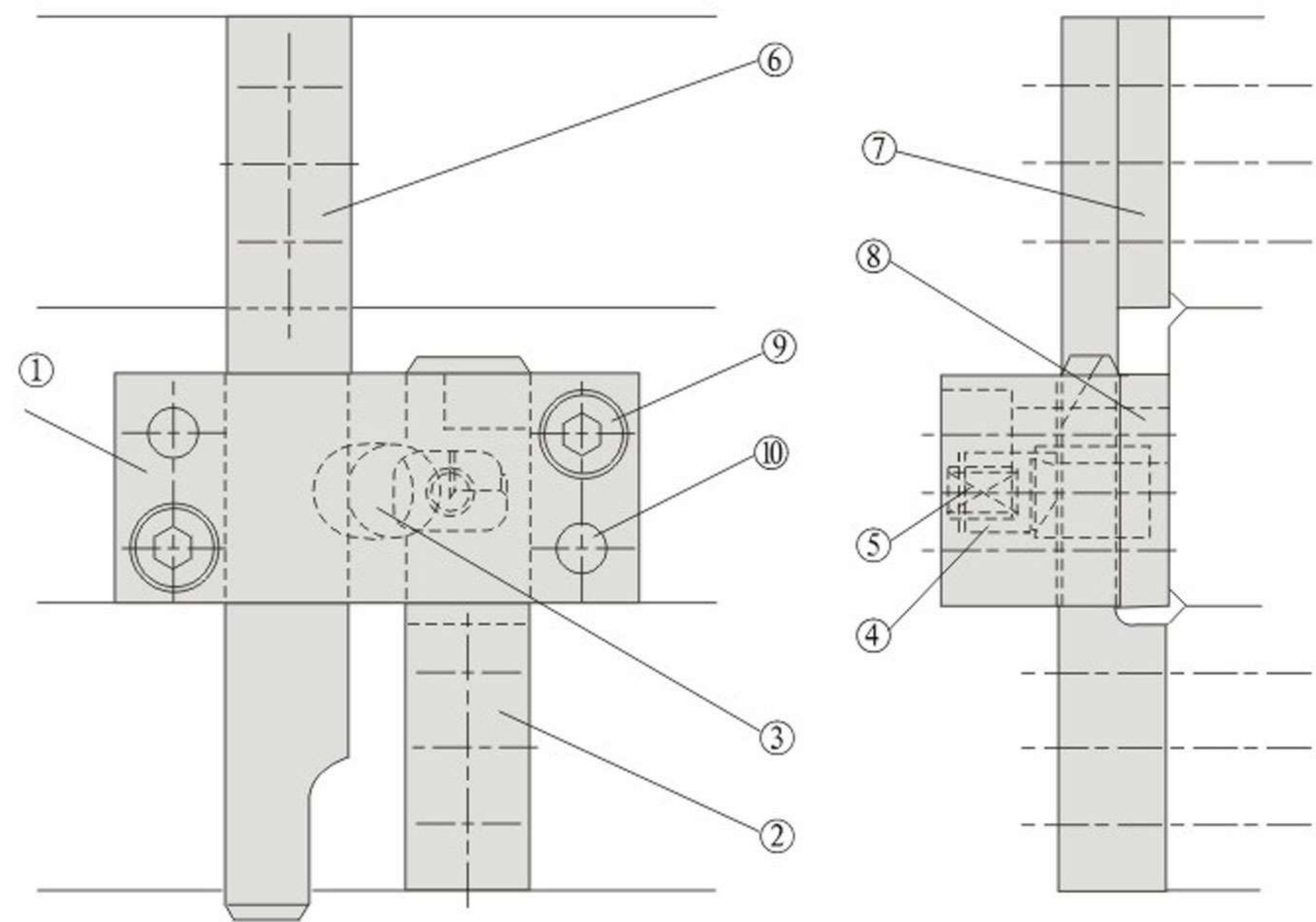


限位夾系列



SPLSW的動作





零件名稱 Ltem	材質	硬度
①鎖緊座	合金工具鋼	50~55HRC
②鈎形鎖銷		58HRC~
③鎖緊銷		58~60HRC
④鎖緊塊		58~60HRC
⑤彈簧	SUS631	
⑥插銷	合金工具鋼	58HRC~
⑦插銷墊塊	S45C	
⑧鎖緊座底板	合金工具鋼	50HRC~
⑨內六角螺栓	SCM435	38~43HRC
⑩定位銷	SUJ2	45~50HRC

Type No.	①鎖緊座 ⑧鎖緊座底板										②鈎形鎖銷							
	A	A1	A2	B	B1	B2	d	M	W	T	LW	LW1	LR	LL	LL1	LL2	LT	LT1
SPLSZ	55	43	6	24	12	6	5	5	24	5	13	4	5	100	14	28	11.5	6
SPLMZ	67	53	7	32	16	8	6	6	32.5	6	18	6	6	150	18	36	16.5	10

③鎖緊銷		④鎖緊塊			⑤彈簧	⑥插銷						⑦插銷墊塊			附件	
P	PL	SA	SB	SW		RW	RW1	RR	RL	RL1	RT	SW	SL	ST	⑨螺栓	⑩定位銷
10	12	12	8	10	WLH5-15	13	4	5	150	12	6	13	40	5.5	CB 5-25	MSTM 5-30
12	17	16	10	13	WLH6-20	16	5	6	200	16	10	16	50	6.6	CB 6-35	MSTM 6-35



精展精密科技股份有限公司(總公司)
GIN TECH PRECISION CO., LTD.

台灣238新北市樹林區保安街一段341巷7號
Address: No 7, Lane 341, Sec. 1, Bau An Street, Shu lin Dist.,
23841, New Taipei City, Taiwan
TEL: 886-2-2681-8596 (Rep.)  Sales@ginchan.com.tw
FAX: 886-2-2681-8516  www.gin-chan.com

東莞美商精展機械五金有限公司
東莞市精展機械五金有限公司
GIN CHAN MACHINERY & HARDWARE CO., LTD.(DONGGUAN)

廣東省東莞市大朗鎮石廈村金沙崗二路27號 郵編：523792
TEL：86-769-8318-5858 (Rep.)
FAX：86-769-8318-5838/8313-5003
 www.ginchan.com.cn  sales@ginchan.com.cn



Scan Now!

